



LEFROY BROOKS

1 8 2 8 T R O U T M A N S T R E E T
R I D G E W O O D N E W Y O R K N Y 1 1 3 8 5 U S A
T: +1(718) 302 5292 F: +1(718) 302 4177

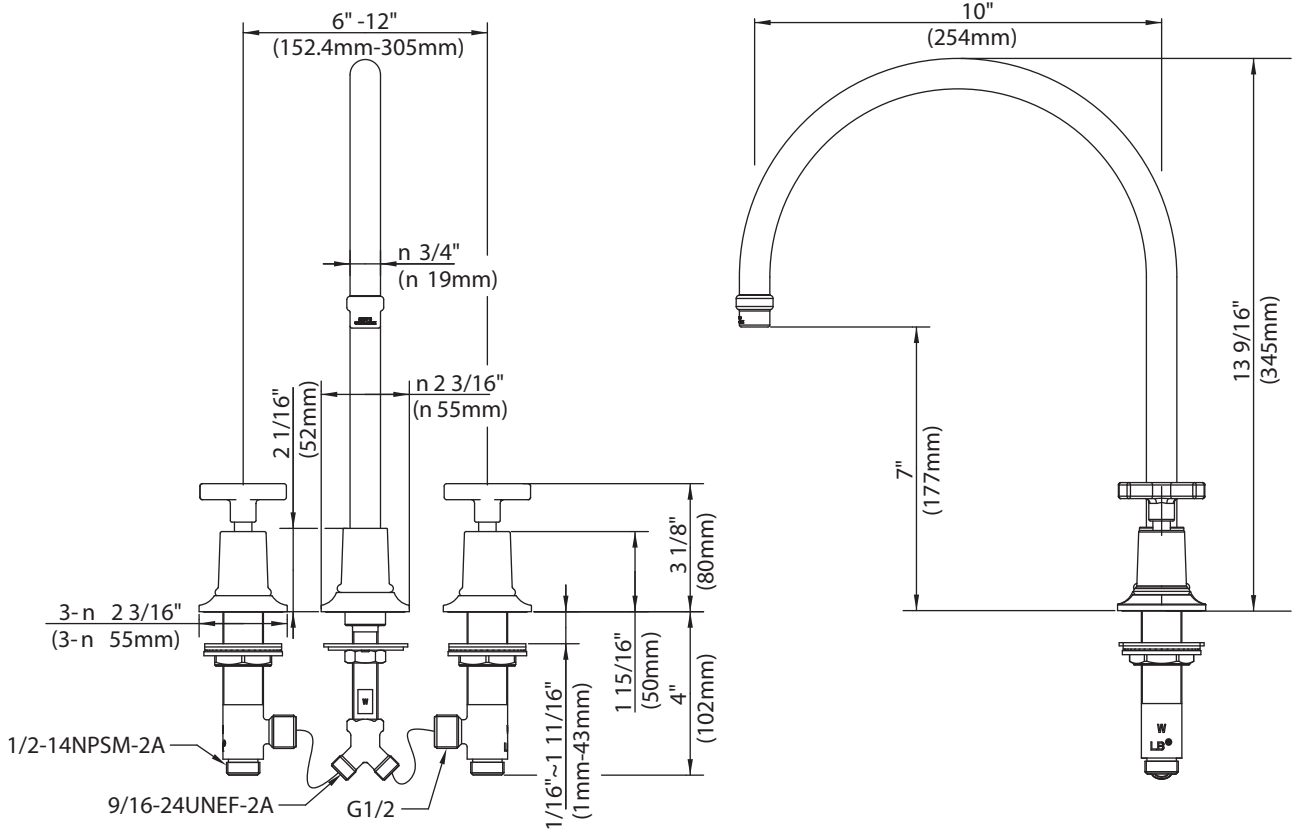
M2-4710

FLEETWOOD CROSS HANDLE 3-HOLE KITCHEN MIXER

DIMENSIONAL DATA SHEET

DATE: 14 MARCH 2016

F86JC0001



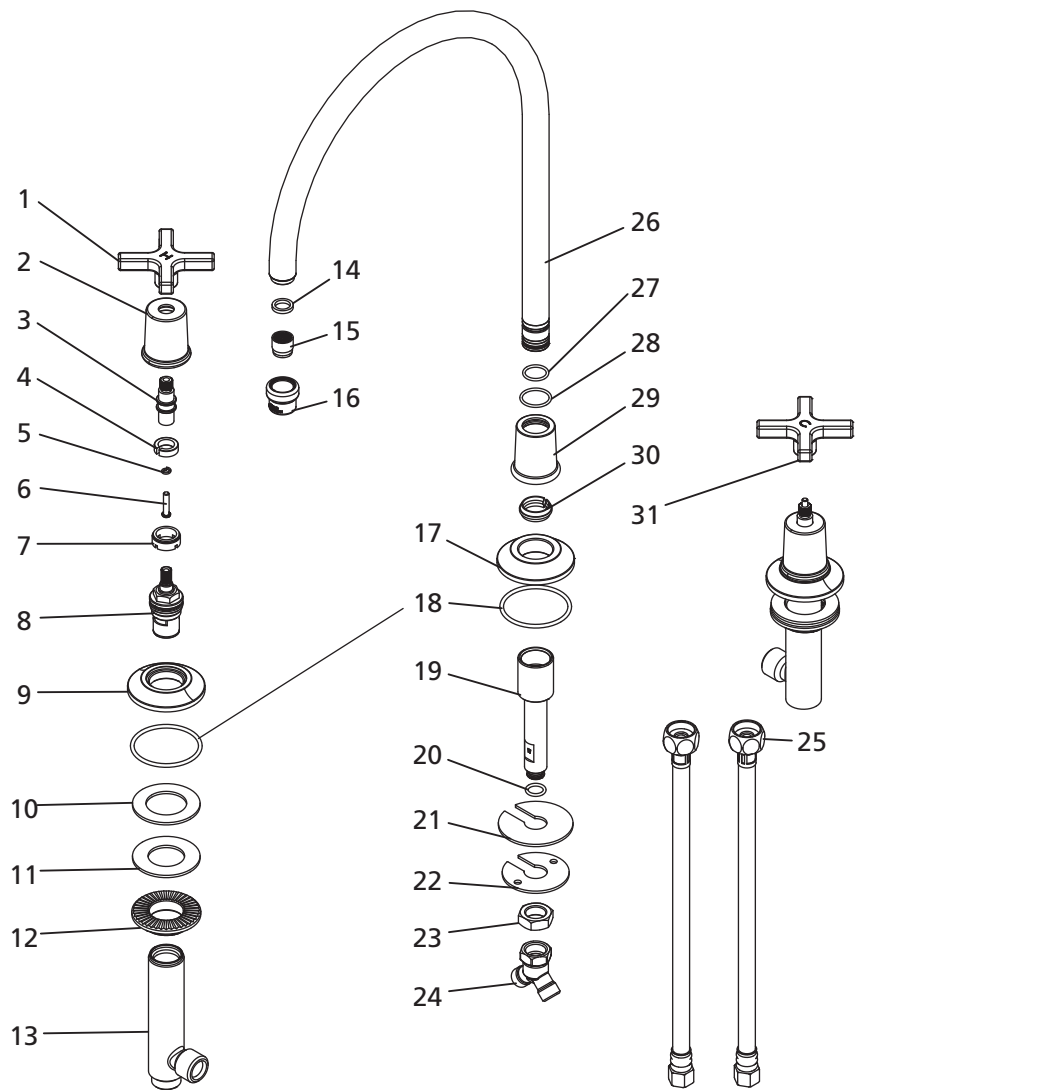
COPYRIGHT © LBIP LTD 2012. ALL RIGHTS RESERVED.

DIMENSIONS IN INCHES & MILLIMETRES

WHILST EVERY EFFORT IS MADE TO ENSURE THE ACCURACY OF THESE DATA SHEETS THEY ARE SUBJECT TO CHANGE WITHOUT NOTICE AS PART OF THE COMPANY'S PRODUCT DEVELOPMENT PROCESS

M2-4710

FLEETWOOD CROSS HANDLE 3-HOLE KITCHEN MIXER

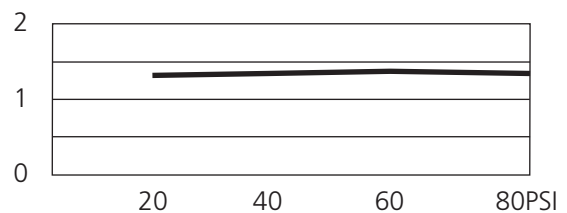


1	Cross Handle (H) (029685H-T)	12	Nut (009834)	23	Nut (009015)
2	Canopy (018295)	13	Body (061893W)	24	Adapter (015004W)
3	Extension rod (110409)	14	Seal (010519N)	25	Connecting tube (105750W)
4	Clip (012242)	15	Aerator (553661N)	26	Spout assembly (139349W)
5	Washer (013570)	16	Aerator housing (305856-54)	27	O-ring (004015N)
6	Screw (008486)	17	Escutcheon (303467)	28	O-ring (004109N)
7	Adapter (057507)	18	O-ring (004617)	29	Canopy (000116)
8	Cartridge (H) (507907W)	19	Connecting tube (014905W)	30	Clip (012003)
9	Escutcheon (071473)	20	O-ring (004026N)	31	Cross Handle (C) (029685C-T)
10	Seal (010017)	21	Seal (058094)		
11	Washer (013158)	22	Washer (013006)		

Standards

IAPMO/cUPC Listed
Meets NSF 61-9
Meets A112.18.1
ADA Compliant

Flow Rate



Please note :

Final achievable flow rate is dependent on the outlets fitted, see relevant outlets (spouts, roses, sprays) for fully assembled product flow rate.