



LEFROY BROOKS

1 8 2 8 T R O U T M A N S T R E E T
R I D G E W O O D N E W Y O R K N Y 1 1 3 8 5 U S A
T : + 1 (7 1 8) 3 0 2 5 2 9 2 F : + 1 (7 1 8) 3 0 2 4 1 7 7

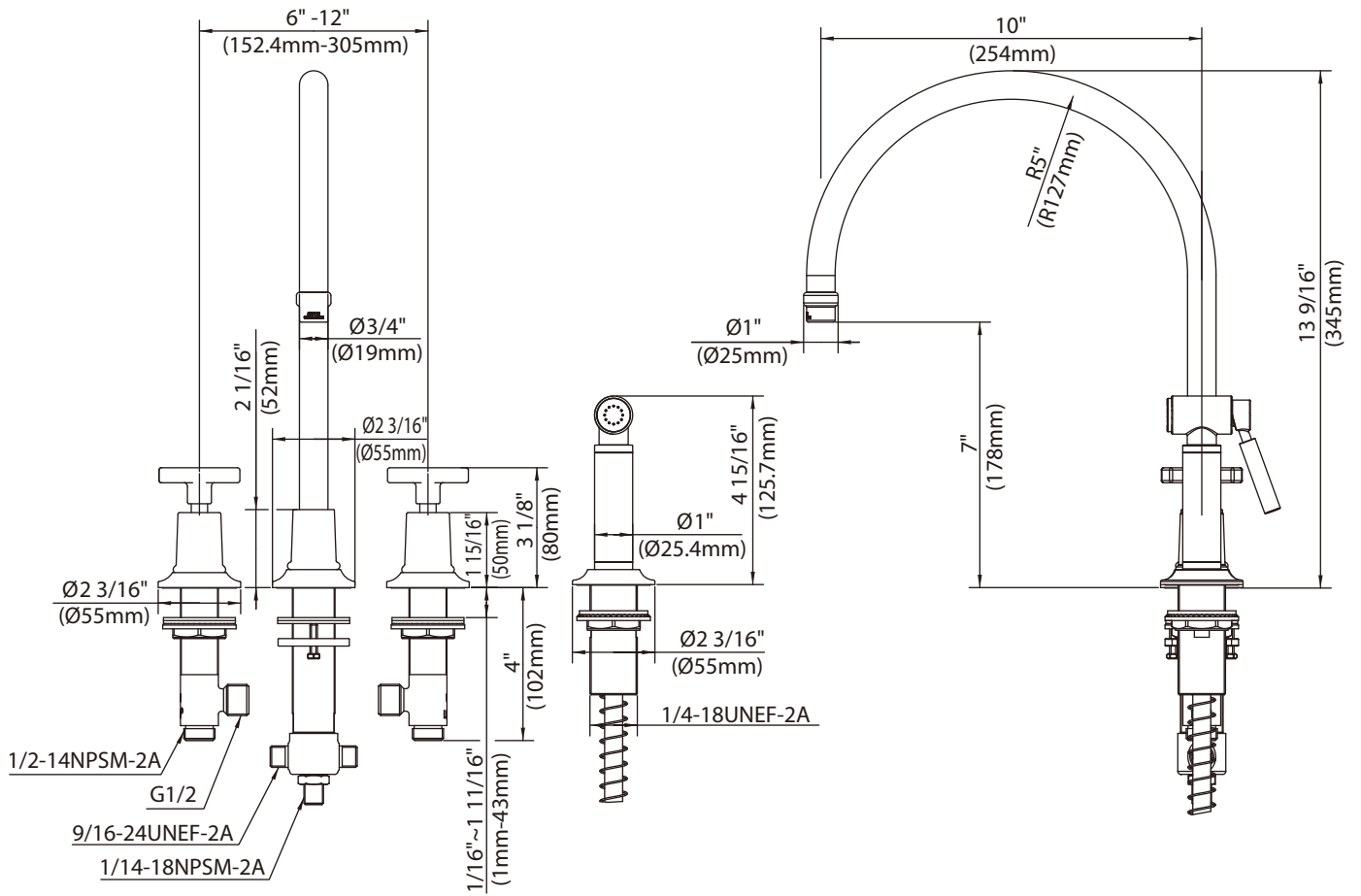
M2-4707

FLEETWOOD CROSS HANDLE 4-HOLE KITCHEN MIXER WITH
METAL-FINISH PULL-OUT HAND SPRAY

DIMENSIONAL DATA SHEET

DATE: 27 November 2014

No: F86JC602



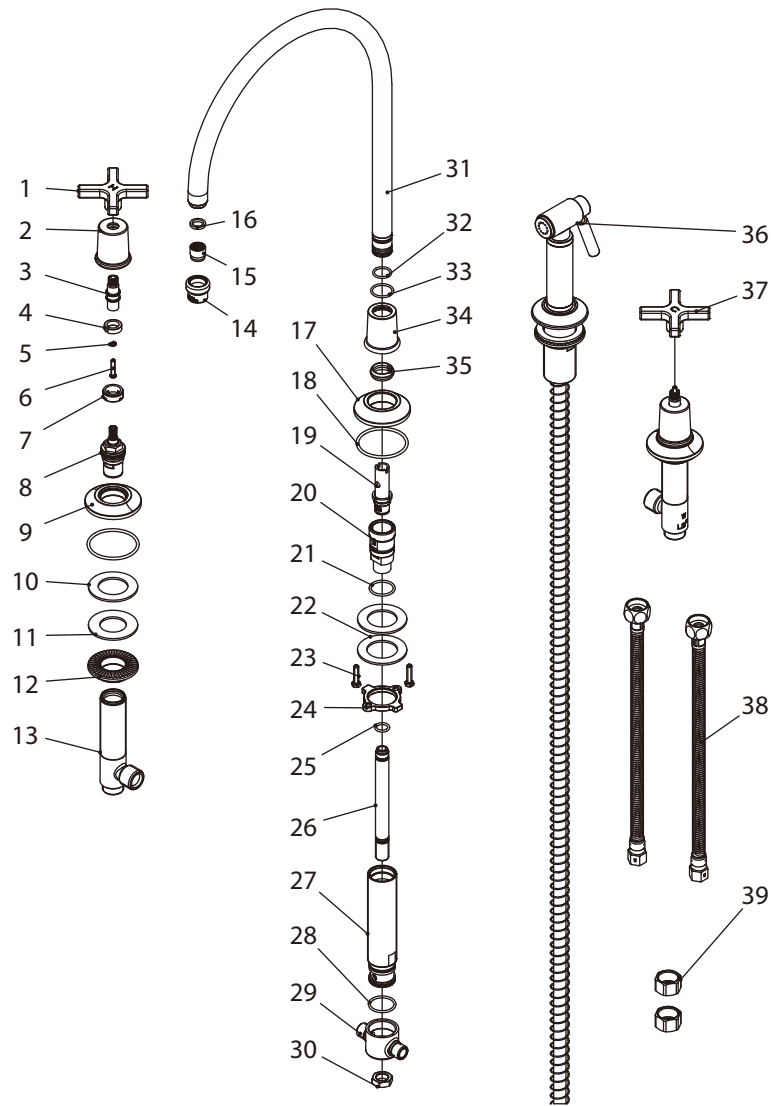
COPYRIGHT © LBIP LTD 2012. ALL RIGHTS RESERVED.

DIMENSIONS IN INCHES & MILLIMETRES

WHILST EVERY EFFORT IS MADE TO ENSURE THE ACCURACY OF THESE DATA SHEETS THEY ARE SUBJECT TO CHANGE WITHOUT NOTICE AS PART OF THE COMPANY'S PRODUCT DEVELOPMENT PROCESS

M2-4707

FLEETWOOD CROSS HANDLE 4-HOLE KITCHEN MIXER WITH METAL-FINISH PULL-OUT HAND SPRAY

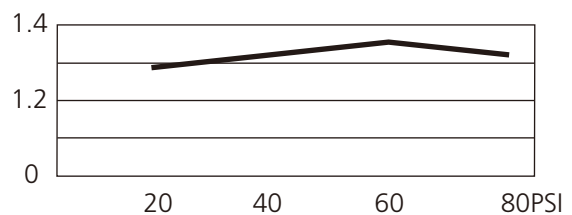


1	Handle (H) (029685H-T)	14	Aerator housing (305856-54)	27	Body (066121W)
2	Canopy (018295)	15	Aerator insert (553661N)	28	O-ring (063091N)
3	Extension rod (110409)	16	Oil seal (010519N)	29	Connector (014083W)
4	Clip (012242)	17	Escutcheon (303467)	30	Nut (070053)
5	Washer (013570)	18	O-ring (004617)	31	Spout assembly (139349W)
6	Screw (008486)	19	Diverter (501013N)	32	O-ring (004015N)
7	Adaptor (057507)	20	Diverter seat (213009W)	33	O-ring (004109N)
8	Cartridge (H) (507907W)	21	O-ring (004074N)	34	Canopy (000116)
9	Escutcheon (071473)	22	Washer (013018)	35	Clip (012003)
10	Oil seal (010017)	23	Screw (008045)	36	Side spray (533137W)
11	Washer (013158)	24	Nut (009012)	37	Handle (C) (029685C-T)
12	Nut (009834)	25	O-ring (004026N)	38	Flexible hose (105750W)
13	Body (061893W)	26	Connecting tube (035231N)	39	Copper nuts (504003)

Standards

IAPMO/cUPC Listed
Meets NSF 61-9
Meets A112.18.1

Flow Rate



Please note :

Final achievable flow rate is dependent on the outlets fitted, see relevant outlets (spouts, roses, sprays) for fully assembled product flow rate.