



LEFROY BROOKS

1 8 2 8 T R O U T M A N S T R E E T
R I D G E W O O D N E W Y O R K N Y 1 1 3 8 5 U S A
T: +1(718) 302 5292 F: +1(718) 302 4177

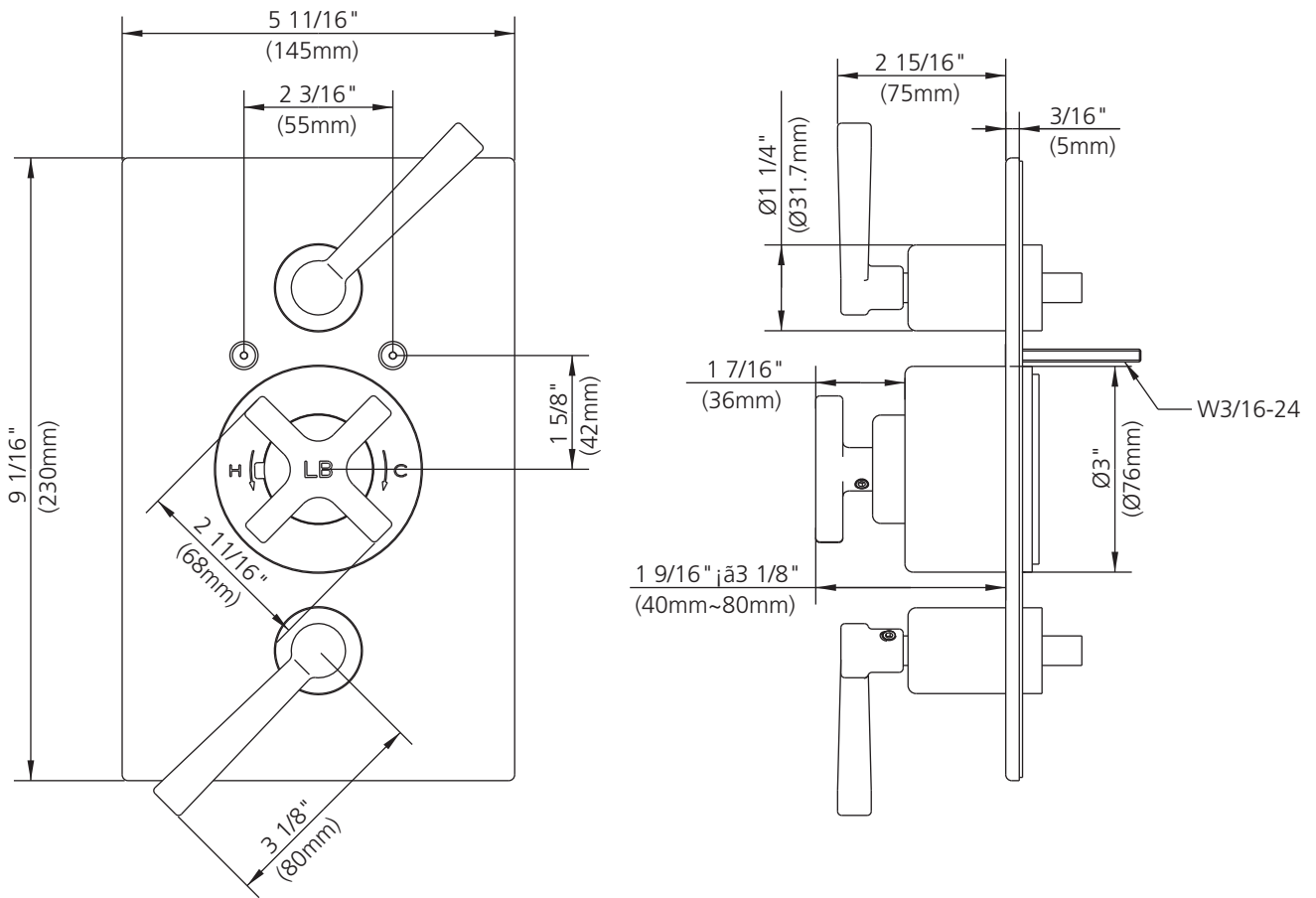
M2-4403

FLEETWOOD CROSS HANDLE THERMOSTATIC WITH TWO LEVER
FLOW CONTROLS TRIM ONLY, TO SUIT M1-4202 ROUGH

DIMENSIONAL DATA SHEET

DATE: 28 AUG 2014

No: A66F260



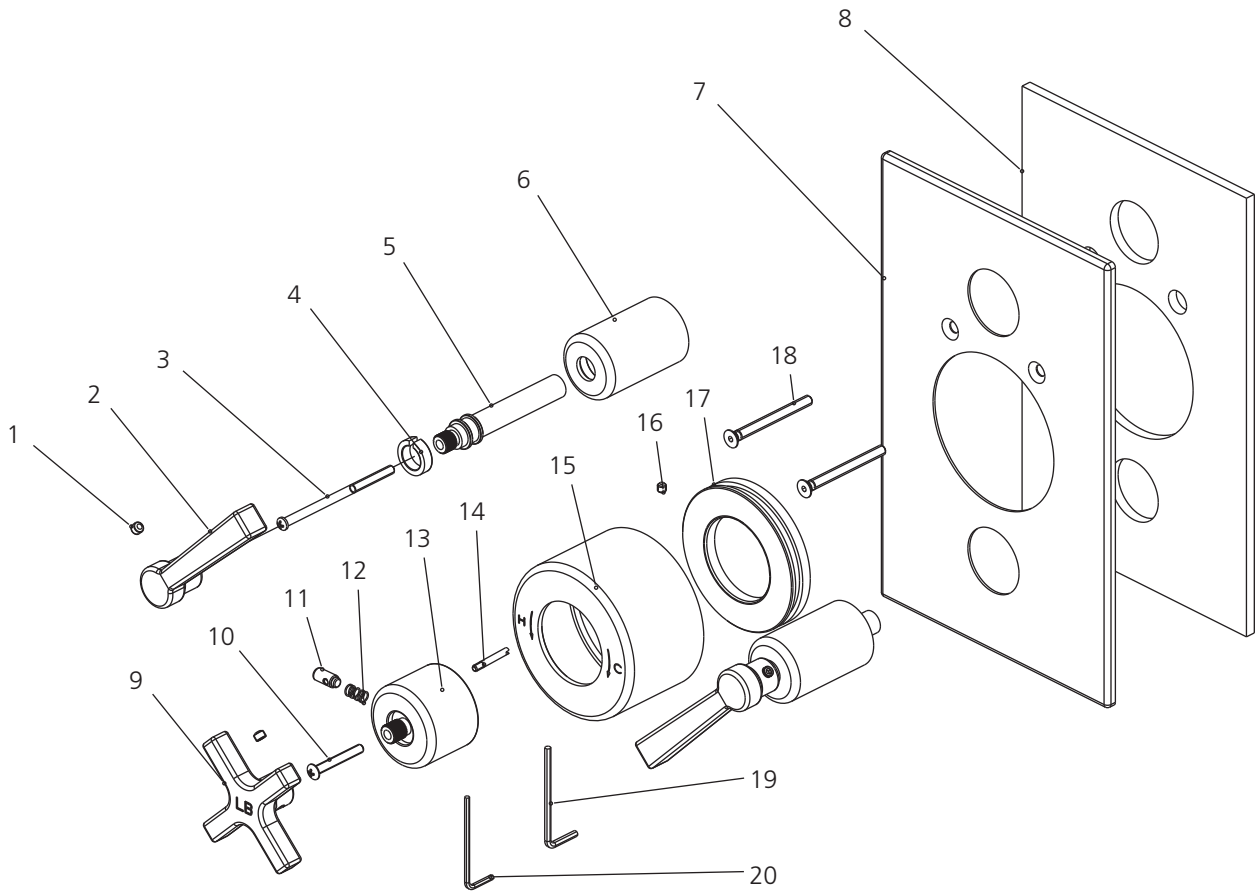
COPYRIGHT © LBP LTD 2012. ALL RIGHTS RESERVED.

DIMENSIONS IN INCHES & MILLIMETRES

WHILST EVERY EFFORT IS MADE TO ENSURE THE ACCURACY OF THESE DATA SHEETS THEY ARE SUBJECT TO CHANGE WITHOUT NOTICE AS PART OF THE COMPANY'S PRODUCT DEVELOPMENT PROCESS

M2-4403

FLEETWOOD CROSS HANDLE THERMOSTATIC WITH TWO LEVER FLOW CONTROLS TRIM ONLY, TO SUIT M1-4202 ROUGH



- | | | | | | |
|---|----------------------|----|--------------------|----|-------------------------|
| 1 | Set screw (292598) | 8 | Seal (013152) | 15 | Canopy (018959-52) |
| 2 | Handle (029686) | 9 | Handle (029685-51) | 16 | Set screw (065086) |
| 3 | Screw (008196) | 10 | Screw (008994) | 17 | Adjusting ring (104295) |
| 4 | Clip (012242) | 11 | Button (036272) | 18 | Screw (008186) |
| 5 | Spindle (110386) | 12 | Spring (005157) | 19 | Allen wrench (031000) |
| 6 | Canopy (018960) | 13 | Adaptor (067960) | 20 | Allen wrench (031003) |
| 7 | Front panel (006228) | 14 | Pin (003147) | | |

Standards

IAPMO/cUPC Listed
Meets A112.18.1

Please note :
Final achievable flow rate is dependent on the outlets fitted, see relevant outlets (spouts, roses, sprays) for fully assembled product flow rate.