



LEFROY BROOKS

1 8 2 8 T R O U T M A N S T R E E T
R I D G E W O O D N E W Y O R K N Y 1 1 3 8 5 U S A
T: +1(718) 302 5292 F: +1(718) 302 4177

M2-4401

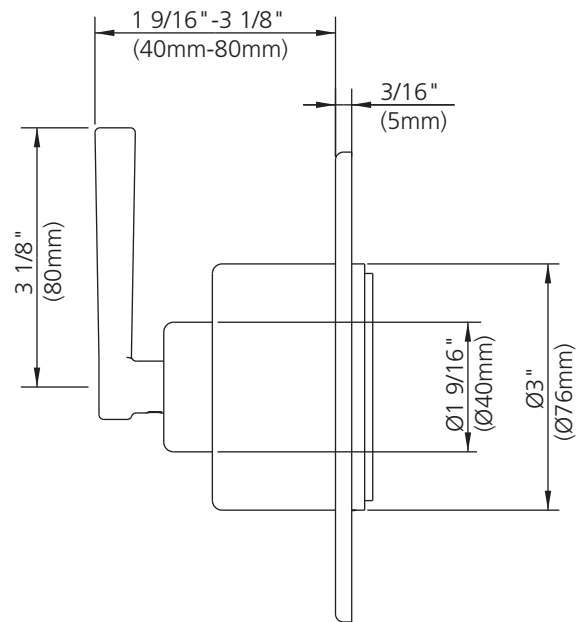
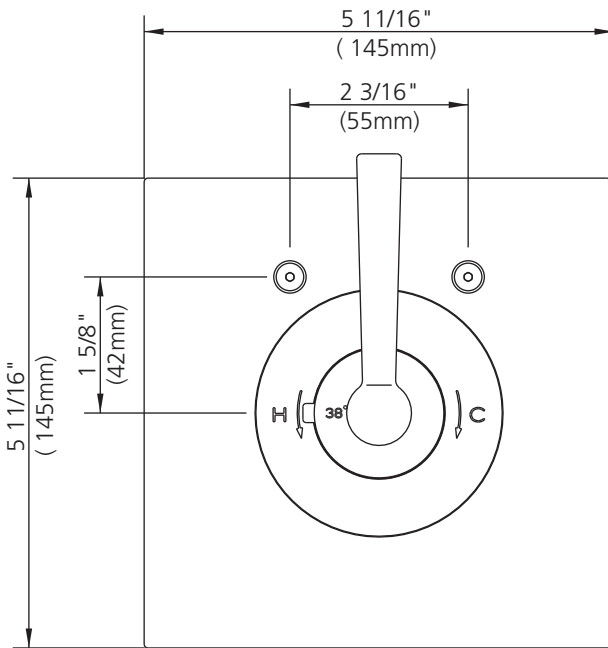
FLEETWOOD SINGLE LEVER THERMOSTATIC TRIM ONLY, TO SUIT
M1-4200 ROUGH

DIMENSIONAL DATA SHEET

DATE: 3 SEP 2014

No: A66F326

COPYRIGHT © LBIP LTD 2012. ALL RIGHTS RESERVED.

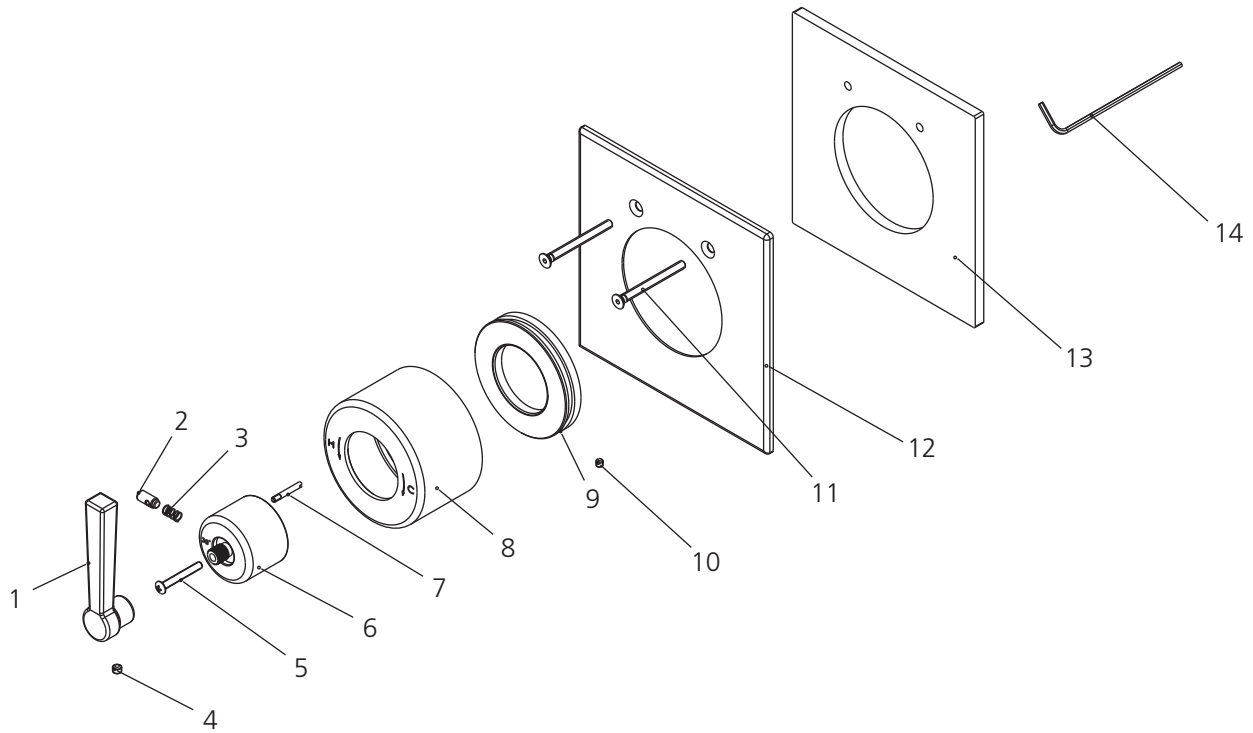


DIMENSIONS IN INCHES & MILLIMETRES

WHILST EVERY EFFORT IS MADE TO ENSURE THE ACCURACY OF THESE DATA SHEETS THEY ARE SUBJECT TO CHANGE WITHOUT NOTICE AS PART OF THE COMPANY'S PRODUCT DEVELOPMENT PROCESS

M2-4401

FLEETWOOD SINGLE LEVER THERMOSTATIC TRIM ONLY, TO SUIT M1-4200 ROUGH



1	Handle (029686)	7	Pin (003147)	13	Spacer (013119)
2	Button (036272)	8	Canopy (018959-52)	14	Allen key (031220)
3	Spring (005157)	9	Adjusting ring (104295)		
4	Screw (292598)	10	Set screw (065086)		
5	Screw (008994)	11	Screw (008186)		
6	Adaptor (067960-50)	12	Front panel (006227)		

Standards

IAPMO/cUPC Listed
Meets A112.18.1

Please note :
Final achievable flow rate is dependent on the outlets fitted, see relevant outlets (spouts, roses, sprays) for fully assembled product flow rate.