



**LEFROY BROOKS**

1 8 2 8 T R O U T M A N S T R E E T  
R I D G E W O O D N E W Y O R K N Y 1 1 3 8 5 U S A  
T: +1(718) 302 5292 F: +1(718) 302 4177

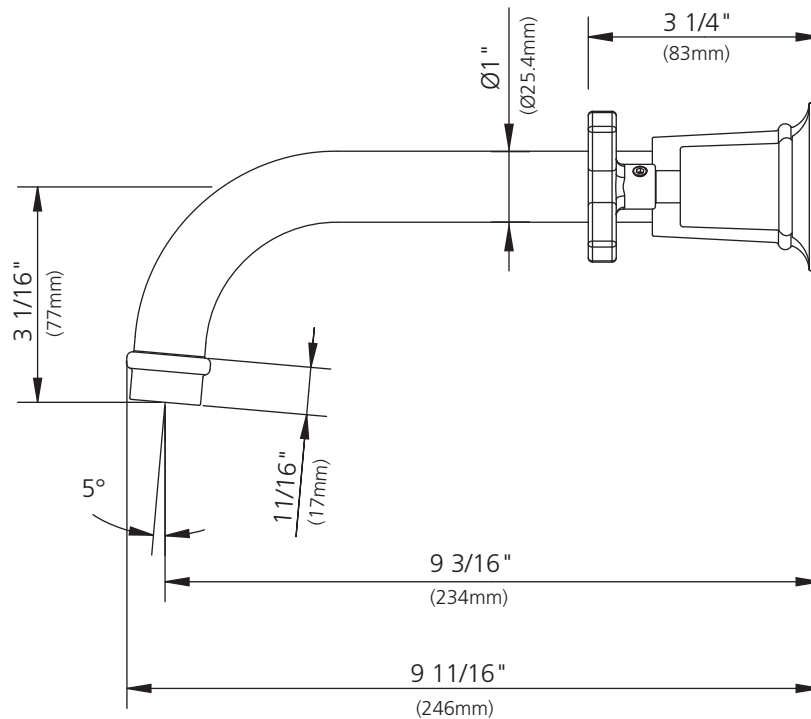
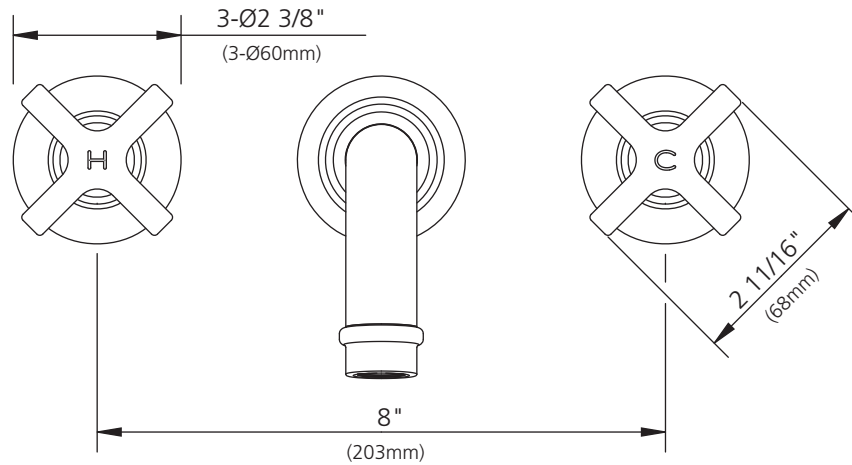
**M2-2400**

CROSS HANDLE 3-HOLE BATH FILLER TRIM ONLY,  
TO SUIT R1-4017 ROUGH

**DIMENSIONAL DATA SHEET**

DATE: 7 May 2012

No: A66F228



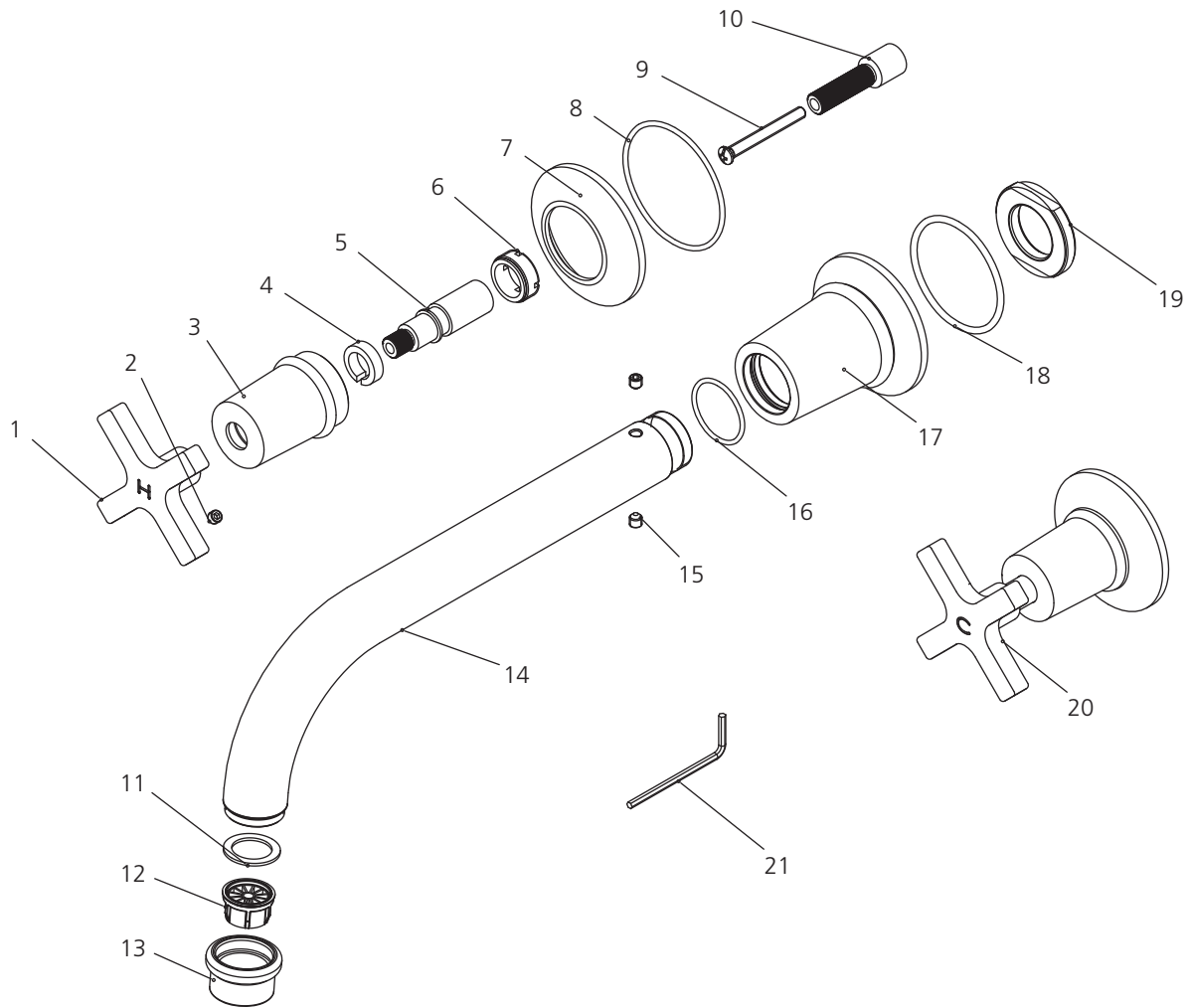
COPYRIGHT © LBIP LTD 2012. ALL RIGHTS RESERVED.

DIMENSIONS IN INCHES & MILLIMETRES

WHILST EVERY EFFORT IS MADE TO ENSURE THE ACCURACY OF THESE DATA SHEETS THEY ARE SUBJECT TO CHANGE WITHOUT NOTICE AS PART OF THE COMPANY'S PRODUCT DEVELOPMENT PROCESS

# M2-2400

CROSS HANDLE 3-HOLE BATH FILLER TRIM ONLY, TO SUIT R1-4017 ROUGH



1	Cross handle (029685H)	8	O-ring (004640N)	15	Set screw (292505)
2	Set screw (292598)	9	Screw (008115)	16	O-ring (004094N)
3	Canopy (018014)	10	Stem extension (110413)	17	Canopy (000114)
4	Clip (012242)	11	Oil seal (010899)	18	O-ring (004617)
5	Stem extension (067773)	12	Aerator insert (114237R)	19	Nut (009618)
6	Adaptor (057507)	13	Aerator housing (305037)	20	Cross handle (029685C)
7	Escutcheon (071325)	14	Spout (139657)	21	Allen key (031000)

## Standards

IAPMO/cUPC Listed  
Meets A112.18.1