



LEFROY BROOKS

1 8 2 8 T R O U T M A N S T R E E T
R I D G E W O O D N E W Y O R K N Y 1 1 3 8 5 U S A
T: +1(718) 302 5292 F: +1(718) 302 4177

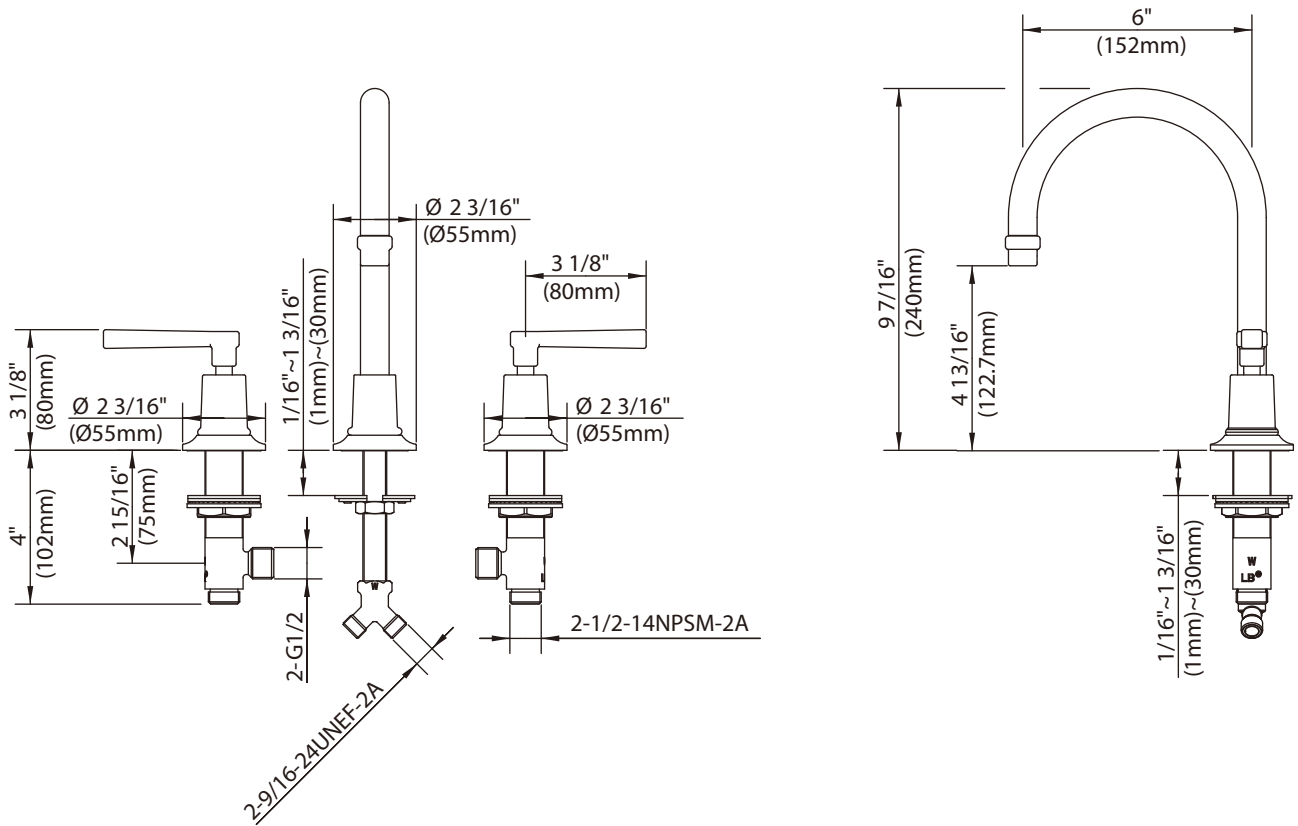
M2-1121

FLEETWOOD LEVER 3-HOLE BASIN MIXER

DIMENSIONAL DATA SHEET

DATE: 24 July 2015

No: FWOC4000



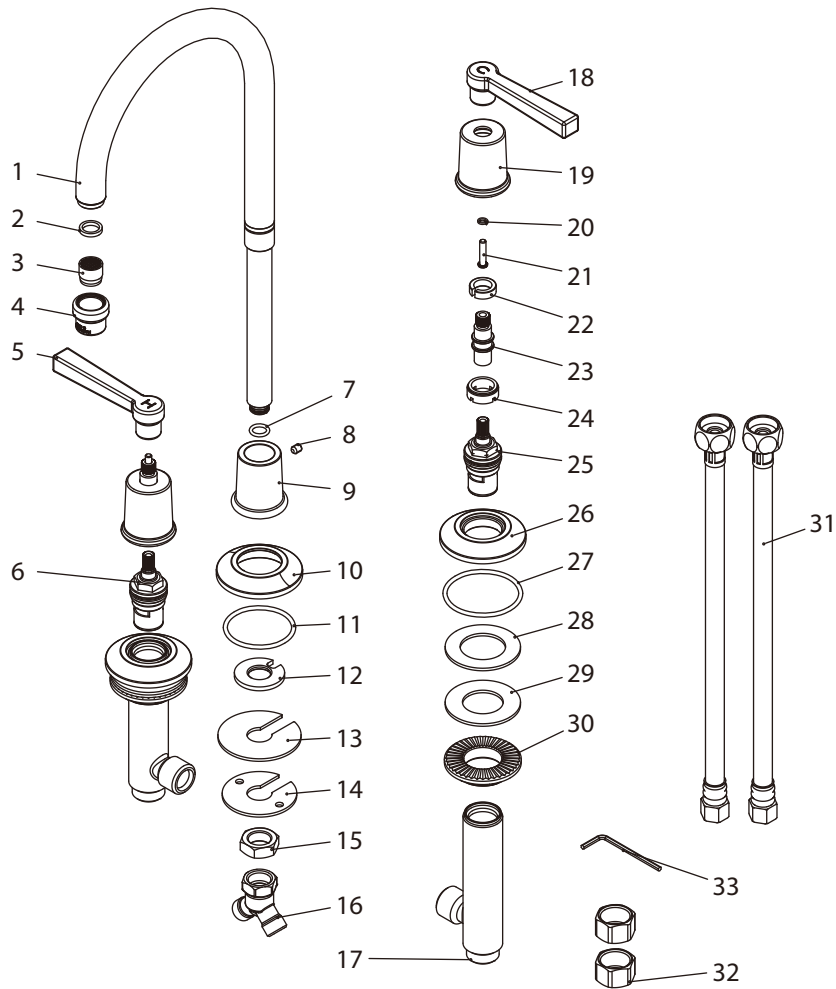
COPYRIGHT © LBIP LTD 2012. ALL RIGHTS RESERVED.

DIMENSIONS IN INCHES & MILLIMETRES

WHILST EVERY EFFORT IS MADE TO ENSURE THE ACCURACY OF THESE DATA SHEETS THEY ARE SUBJECT TO CHANGE WITHOUT NOTICE AS PART OF THE COMPANY'S PRODUCT DEVELOPMENT PROCESS

M2-1121

FLEETWOOD LEVER 3-HOLE BASIN MIXER

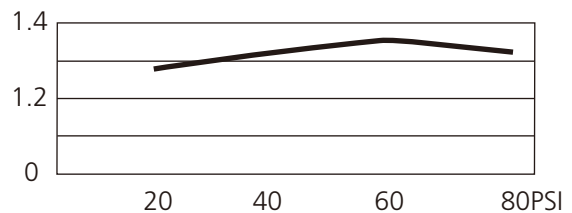


1	Spout assembly (139376W)	12	Washer (013797)	23	Stem extension (110409)
2	Oil-seal (010519N)	13	Oil-seal (058094)	24	Adaptor (057507)
3	Aerator insert (553661N)	14	Washer (013006)	25	Cartridge (C) (507176N)
4	Aerator housing (305856-54)	15	Nut (009015)	26	Escutcheon (071473)
5	Handle (029686H-T)	16	Connector (015004W)	27	O-ring (004617)
6	Cartridge (H) (507175N)	17	Body (061893W)	28	Oil-seal (010017)
7	O-ring (004026N)	18	Handle (029686C-T)	29	Washer (013158)
8	Set screw (075209)	19	Canopy (018295)	30	Nut (009834)
9	Canopy (000113)	20	Washer (013570)	31	Alternative nuts (504003)
10	Escutcheon (071326)	21	Screw (008486)	32	Flexible hose (105750W)
11	O-ring (004072N)	22	Clip (012242)	33	Allen key (031000)

Standards

IAPMO/cUPC Listed
Meets NSF 61-9
Meets A112.18.1
ADA Compliant

Flow Rate



Please note :

Final achievable flow rate is dependent on the outlets fitted, see relevant outlets (spouts, roses, sprays) for fully assembled product flow rate.