



LEFROY BROOKS

1 8 2 8 T R O U T M A N S T R E E T
R I D G E W O O D N E W Y O R K N Y 1 1 3 8 5 U S A
T: +1(718) 302 5292 F: +1(718) 302 4177

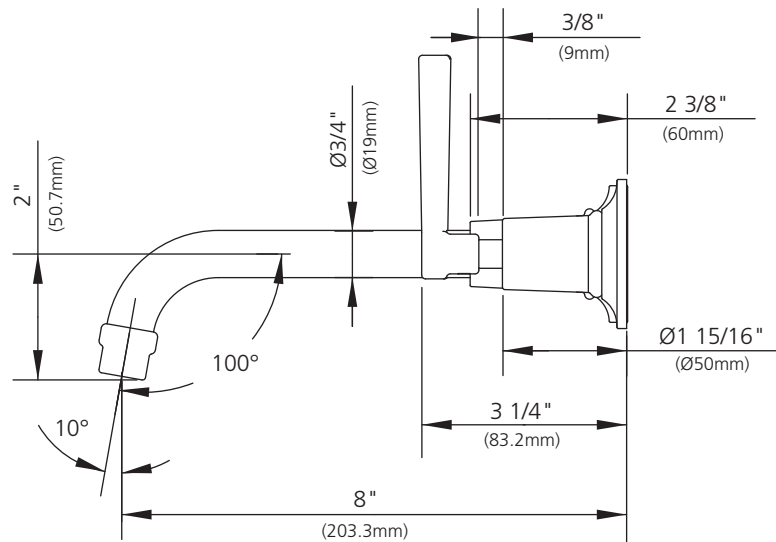
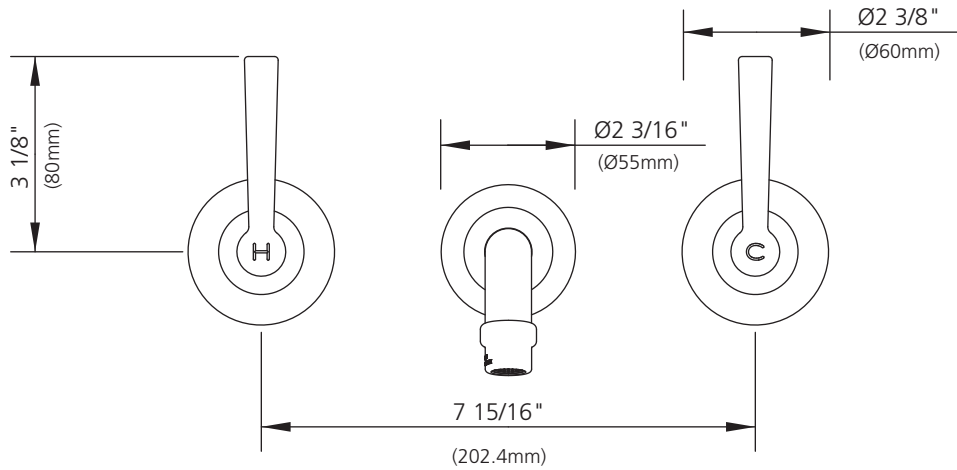
M2-1111

LEVER WALL 3-HOLE BASIN MIXER TRIM ONLY,
TO SUIT R1-4016 ROUGH

DIMENSIONAL DATA SHEET

DATE: 4 May 2012

No: A66F235W



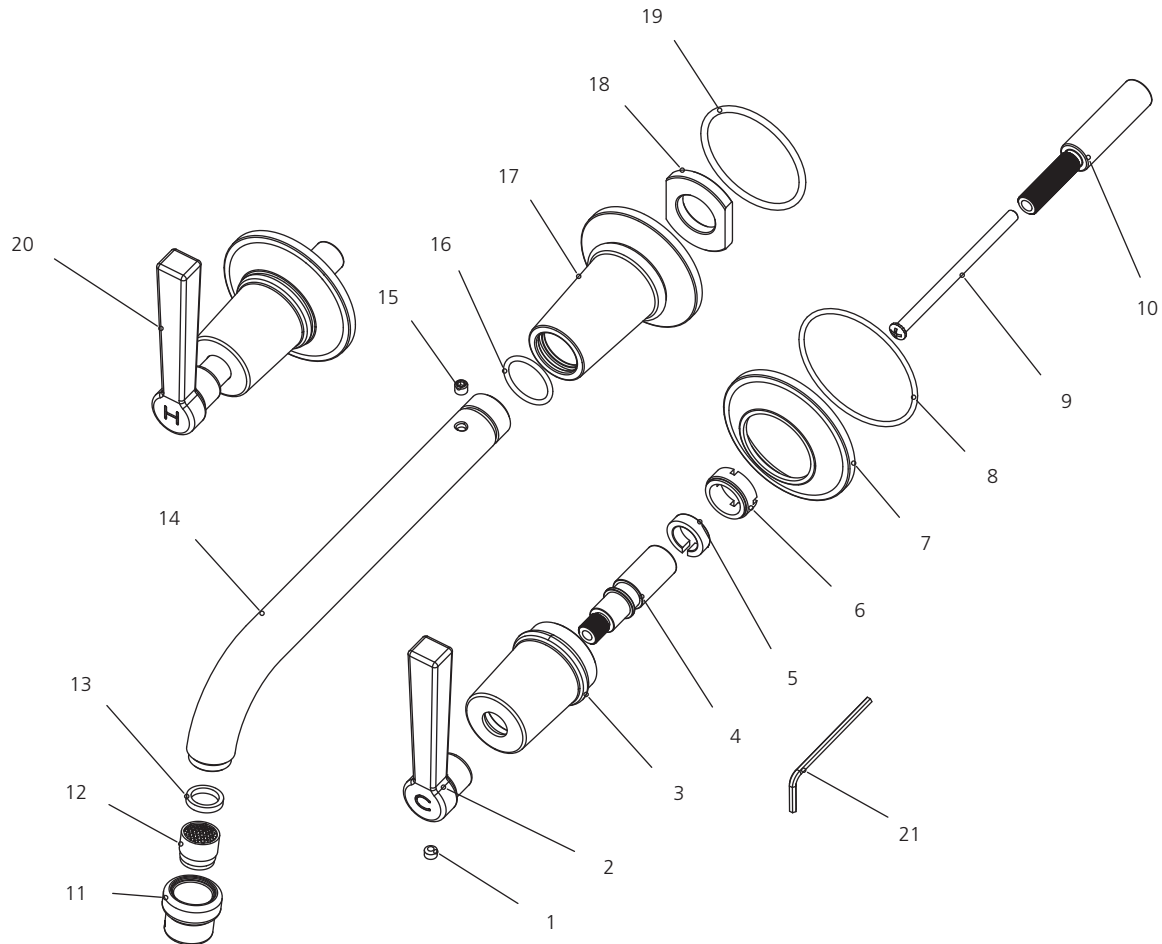
COPYRIGHT © LBIP LTD 2012. ALL RIGHTS RESERVED.

DIMENSIONS IN INCHES & MILLIMETRES

WHILST EVERY EFFORT IS MADE TO ENSURE THE ACCURACY OF THESE DATA SHEETS THEY ARE SUBJECT TO CHANGE WITHOUT NOTICE AS PART OF THE COMPANY'S PRODUCT DEVELOPMENT PROCESS

M2-1111

LEVER WALL 3-HOLE BASIN MIXER TRIM ONLY, TO SUIT R1-4016 ROUGH



1	Set screw (292598)	8	O-ring (004640N)	15	Screw (008198)
2	Handle (C) (069826C)	9	Screw (008488)	16	O-ring (063066N)
3	Canopy (018014)	10	Stem extension (110473)	17	Canopy (000115)
4	Adaptor (067773)	11	Aerator housing (305856-55)	18	Nut (009620)
5	Clip (012242)	12	Aerator insert (553653N)	19	O-ring (004045)
6	Adaptor (057507)	13	Oil-seal (010519N)	20	Handle (H) (069826H)
7	Escutcheon (071325)	14	Spout (139325W)	21	Allen key (031000)

Standards

IAPMO/cUPC Listed
 Meets NSF 61-9
 Meets A112.18.1
 ADA Compliant