



LEFROY BROOKS

1 8 2 8 T R O U T M A N S T R E E T
R I D G E W O O D N E W Y O R K N Y 1 1 3 8 5 U S A
T: +1(718) 302 5292 F: +1(718) 302 4177

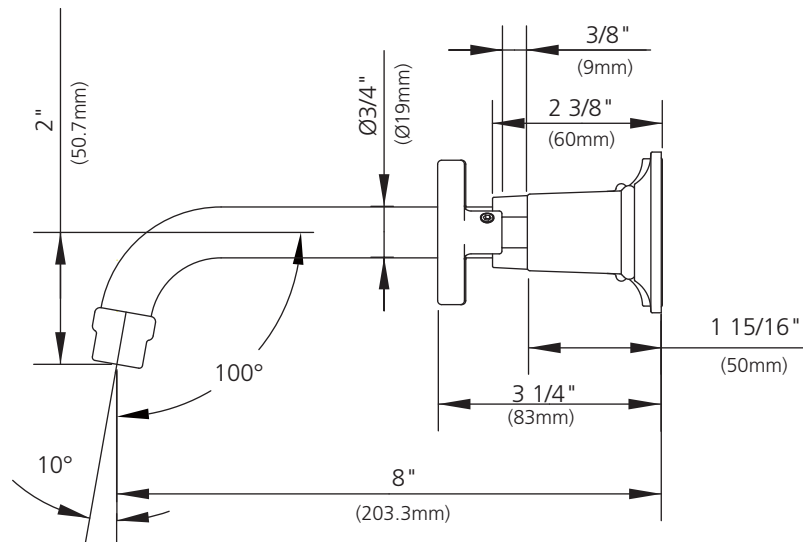
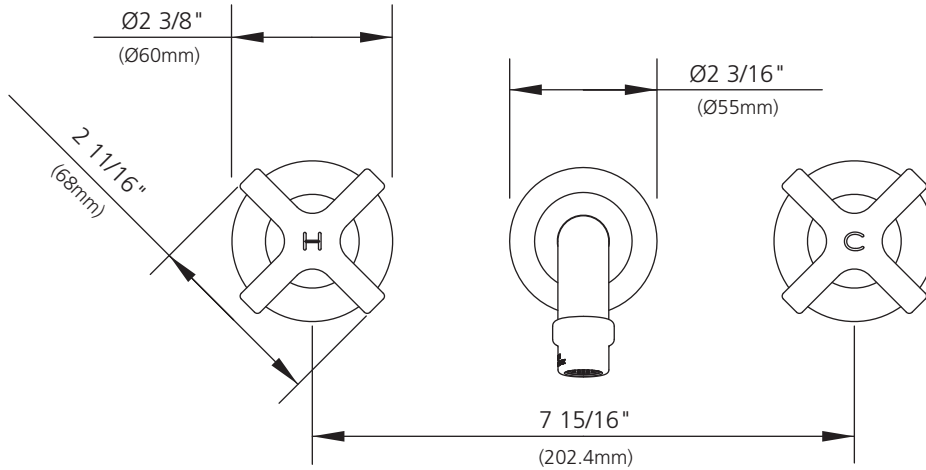
M2-1110

CROSS HANDLE WALL 3-HOLE BASIN MIXER TRIM ONLY,
TO SUIT R1-4015 ROUGH

DIMENSIONAL DATA SHEET

DATE: 4 May 2012

No: A66F236W



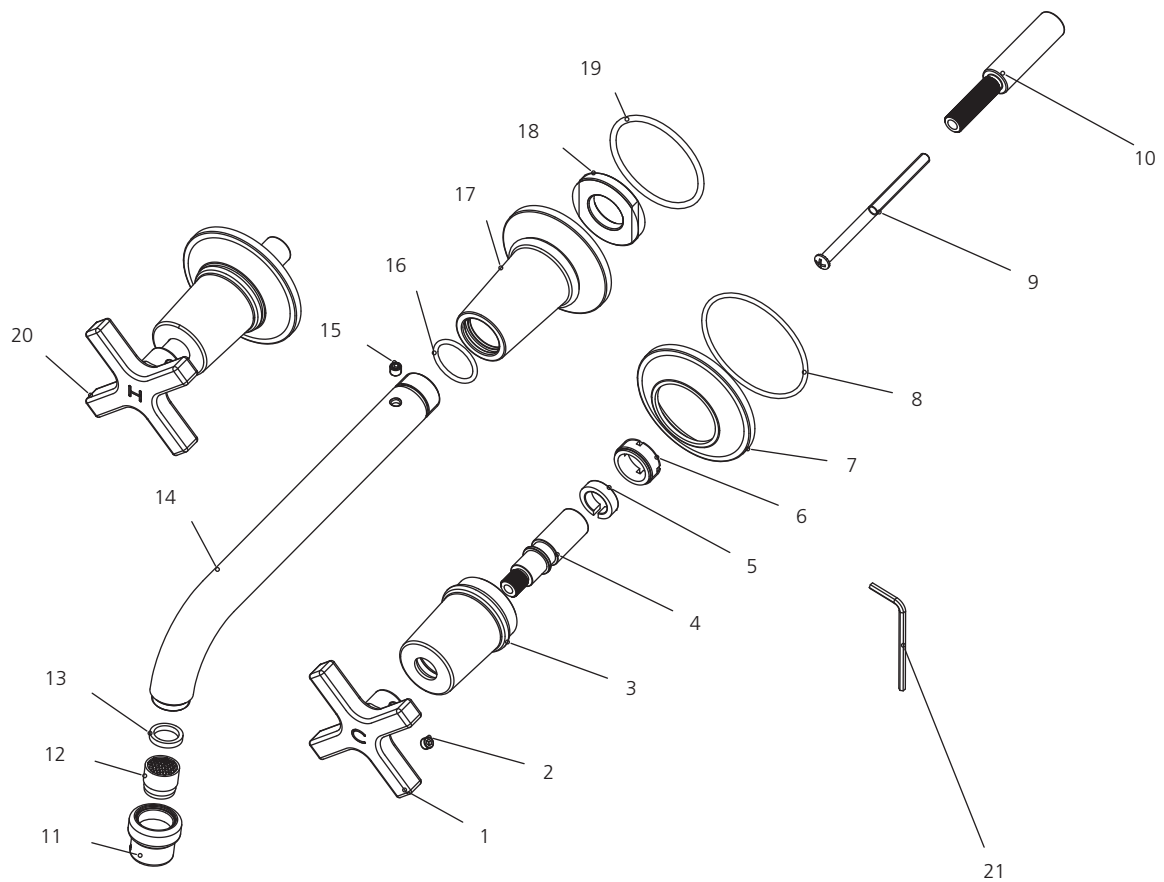
COPYRIGHT © LBIF LTD 2012. ALL RIGHTS RESERVED.

DIMENSIONS IN INCHES & MILLIMETRES

WHILST EVERY EFFORT IS MADE TO ENSURE THE ACCURACY OF THESE DATA SHEETS THEY ARE SUBJECT TO CHANGE WITHOUT NOTICE AS PART OF THE COMPANY'S PRODUCT DEVELOPMENT PROCESS

M2-1110

CROSS HANDLE WALL 3-HOLE BASIN MIXER TRIM ONLY, TO SUIT R1-4015 ROUGH



| | | | | | |
|---|------------------------|----|-----------------------------|----|------------------------|
| 1 | Handle (C) (029685C) | 8 | O-ring (004640N) | 15 | Screw (008198) |
| 2 | Set screw (292598) | 9 | Screw (008488) | 16 | O-ring (063066N) |
| 3 | Canopy (018014) | 10 | Stem extension (110473) | 17 | Canopy (000115) |
| 4 | Adaptor (067773) | 11 | Aerator housing (305856-54) | 18 | Nut (009620) |
| 5 | Clip (012242) | 12 | Aerator insert (553661N) | 19 | O-ring (004045) |
| 6 | Adaptor (057507) | 13 | Oil-seal (010519N) | 20 | Handle (H) (029685H) |
| 7 | Escutcheon (071325) | 14 | Spout assembly (139325W) | 21 | Allen key (031000) |

Standards

IAPMO/cUPC Listed
 Meets NSF 61-9
 Meets A112.18.1