



# LEFROY BROOKS

1 8 2 8 T R O U T M A N S T R E E T  
R I D G E W O O D N E W Y O R K N Y 1 1 3 8 5 U S A  
T: +1(718) 302 5292 F: +1(718) 302 4177

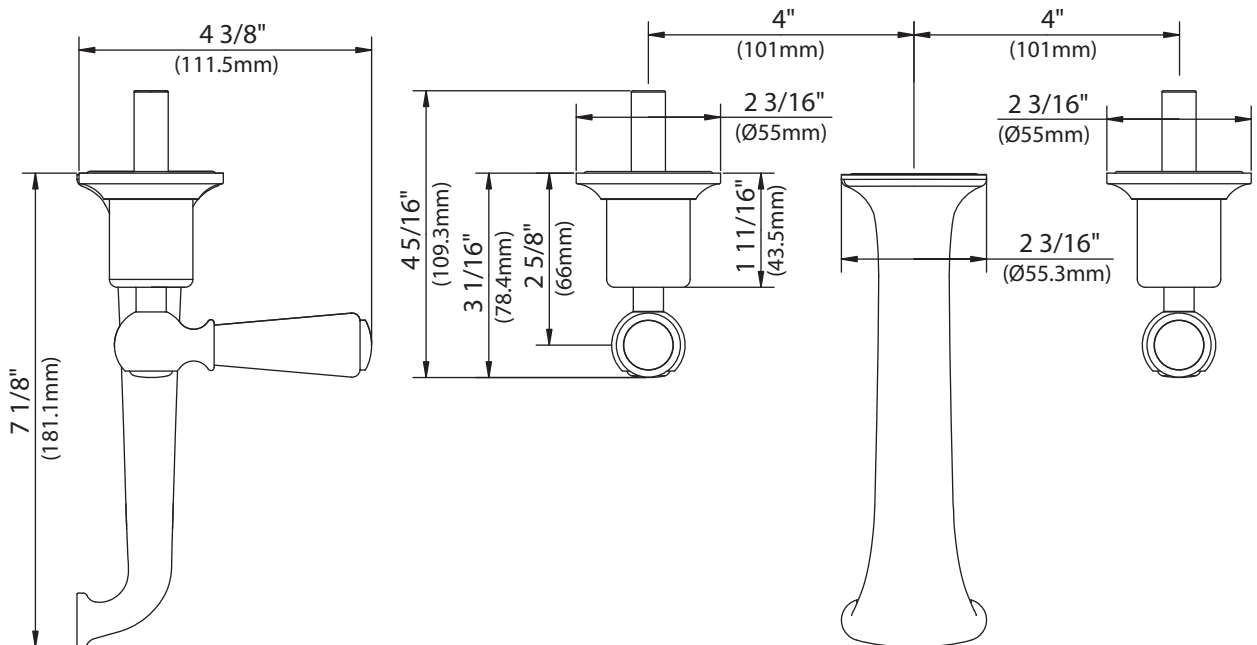
## CW-1401 (WL1212)

WHITE LEVER WALL-MOUNTED 3-HOLE BASIN MIXER TRIM ONLY,  
TO SUIT R1-4028 ROUGH

### DIMENSIONAL DATA SHEET

DATE: 12 October 2010

No: A66F415



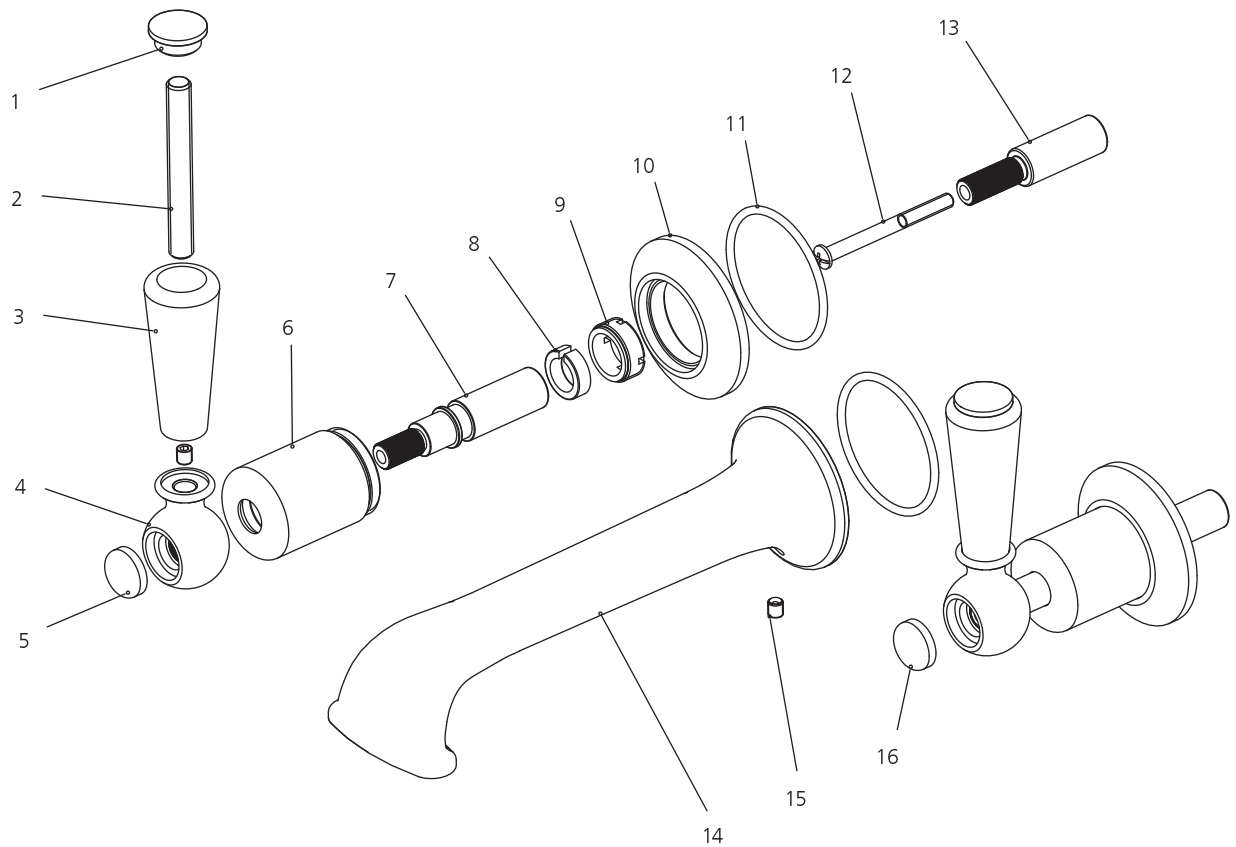
©COPYRIGHT 2008. CHRISTO LEROY BROOKS. ALL RIGHTS RESERVED.

DIMENSIONS IN INCHES & MILLIMETRES

WHILST EVERY EFFORT IS MADE TO ENSURE THE ACCURACY OF THESE DATA SHEETS THEY ARE SUBJECT TO CHANGE WITHOUT NOTICE AS PART OF THE COMPANY'S PRODUCT DEVELOPMENT PROCESS

# CW-1401 (WL1212)

WHITE LEVER WALL-MOUNTED 3-HOLE BASIN MIXER TRIM ONLY, TO SUIT R1-4028 ROUGH



- |   |                       |    |                         |    |                               |
|---|-----------------------|----|-------------------------|----|-------------------------------|
| 1 | Lever cap (109376)    | 7  | Extension Stem (110334) | 13 | Extension Stem (110001)       |
| 2 | Screw (017094)        | 8  | Clip (012242)           | 14 | Spout (118547W)               |
| 3 | Lever (108924)        | 9  | Adaptor (057507)        | 15 | Hex socket set screw (008003) |
| 4 | Lever seat (205144)   | 10 | Excuteon (034209)       | 16 | Ceramic cap (129313C)         |
| 5 | Ceramic cap (129313H) | 11 | O-ring (004045N)        |    |                               |
| 6 | Canopy (018294)       | 12 | Screw (008153)          |    |                               |