



LEFROY BROOKS

1 8 2 8 T R O U T M A N S T R E E T
R I D G E W O O D N E W Y O R K N Y 1 1 3 8 5 U S A
T: +1(718) 302 5292 F: +1(718) 302 4177

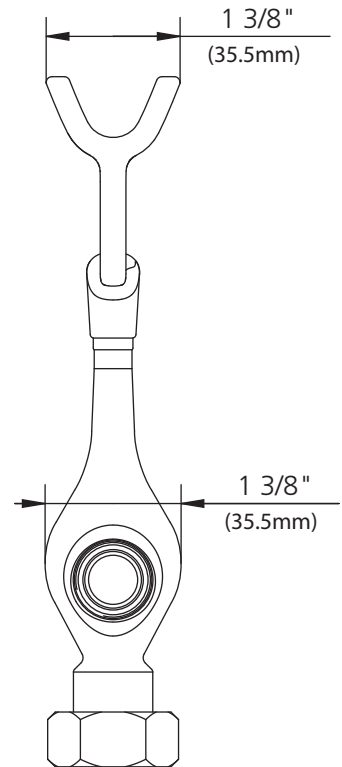
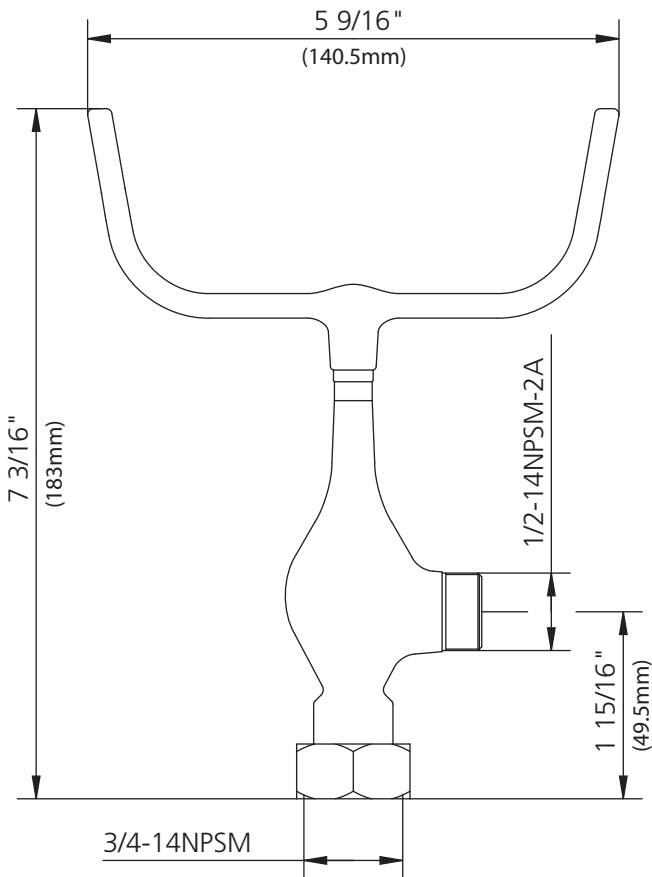
Y1-5462

BATH HAND SHOWER CRADLE TO SUIT C1-2650 (LB1100),
M1-2650 (MH1100), CW-2670 (GD8823), CB-2675 (BL8823) &
M1-2675 (MK8823)

DIMENSIONAL DATA SHEET

DATE: 14 March 2011

No: A66G096



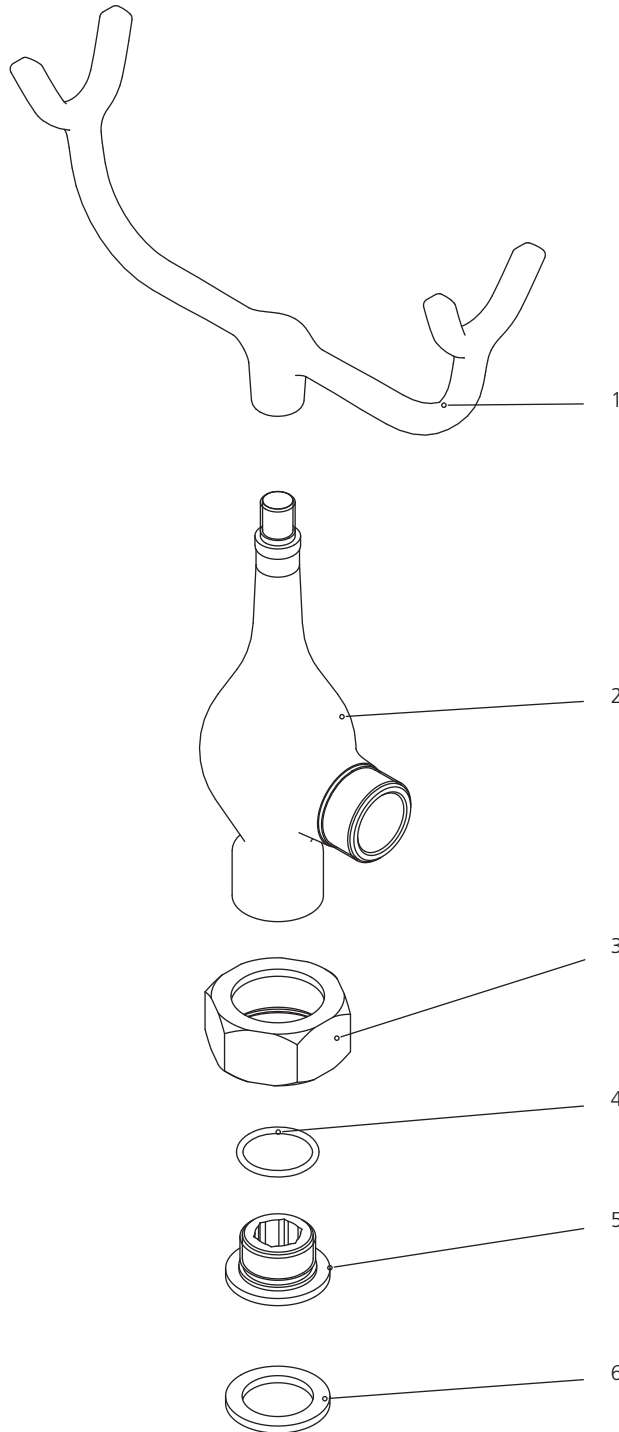
©COPYRIGHT 2009, CHRISTO LEFROY BROOKS. ALL RIGHTS RESERVED.

DIMENSIONS IN INCHES & MILLIMETRES

WHILST EVERY EFFORT IS MADE TO ENSURE THE ACCURACY OF THESE DATA SHEETS THEY ARE SUBJECT TO CHANGE WITHOUT NOTICE AS PART OF THE COMPANY'S PRODUCT DEVELOPMENT PROCESS

Y1-5462

BATH HAND SHOWER CRADLE TO SUIT C1-2650 (LB1100), M1-2650 (MH1100), CW-2670 (GD8823), CB-2675 (BL8823) & M1-2675 (MK8823)



- 1 Shower cradle (229118)
- 2 Adaptor (077335)
- 3 Nut (009078)
- 4 O-ring (048096N)
- 5 Adaptor (077336)
- 6 Oil-seal (010077)

Standards

Meets A112.18.1