



LEFROY BROOKS

IBROC HOUSE ESSEX ROAD
HODDESDON HERTS EN11 0QS UK
T: +44 (0)1992 708 316 F: +44 (0)1992 708 317

GD-8812

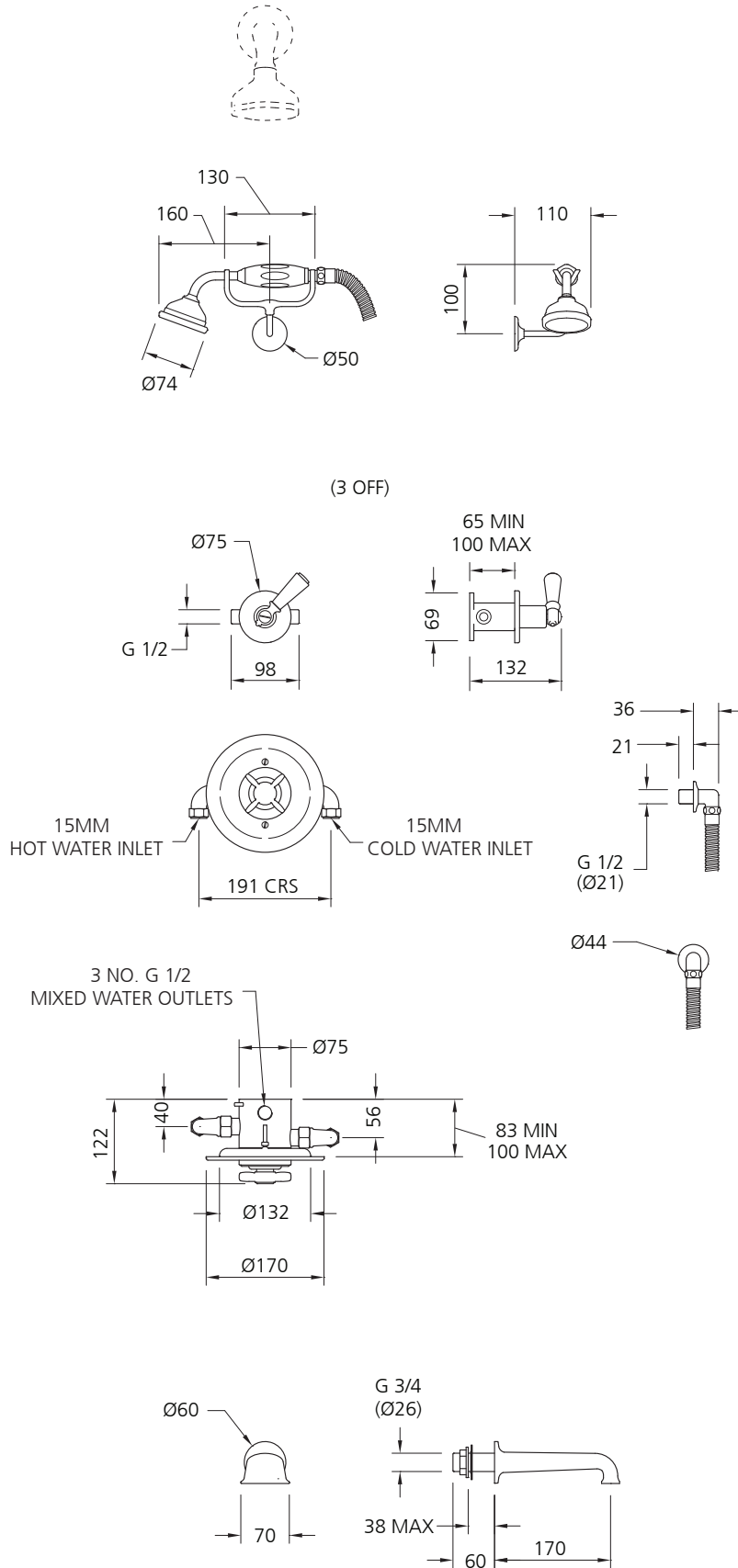
ARCHIPELAGO THERMOSTATIC BATH AND SHOWER
VALVE WITH CLASSIC HANDSET
(ORDER HEADSET SEPARATELY)

DIMENSIONAL DATA SHEET

DATE: 16 June 2010

ISSUE: 016 A

©COPYRIGHT 2010. CHRISTO LEFROY BROOKS. ALL RIGHTS RESERVED.



DIMENSIONS IN MILLIMETRES

WHILST EVERY EFFORT IS MADE TO ENSURE THE ACCURACY OF THESE DATA SHEETS THEY ARE SUBJECT TO CHANGE WITHOUT NOTICE AS PART OF THE COMPANY'S PRODUCT DEVELOPMENT PROCESS