



**LEFROY BROOKS**

1 8 2 8 T R O U T M A N S T R E E T  
R I D G E W O O D N E W Y O R K N Y 1 1 3 8 5 U S A  
T : + 1 ( 7 1 8 ) 3 0 2 5 2 9 2 F : + 1 ( 7 1 8 ) 3 0 2 4 1 7 7

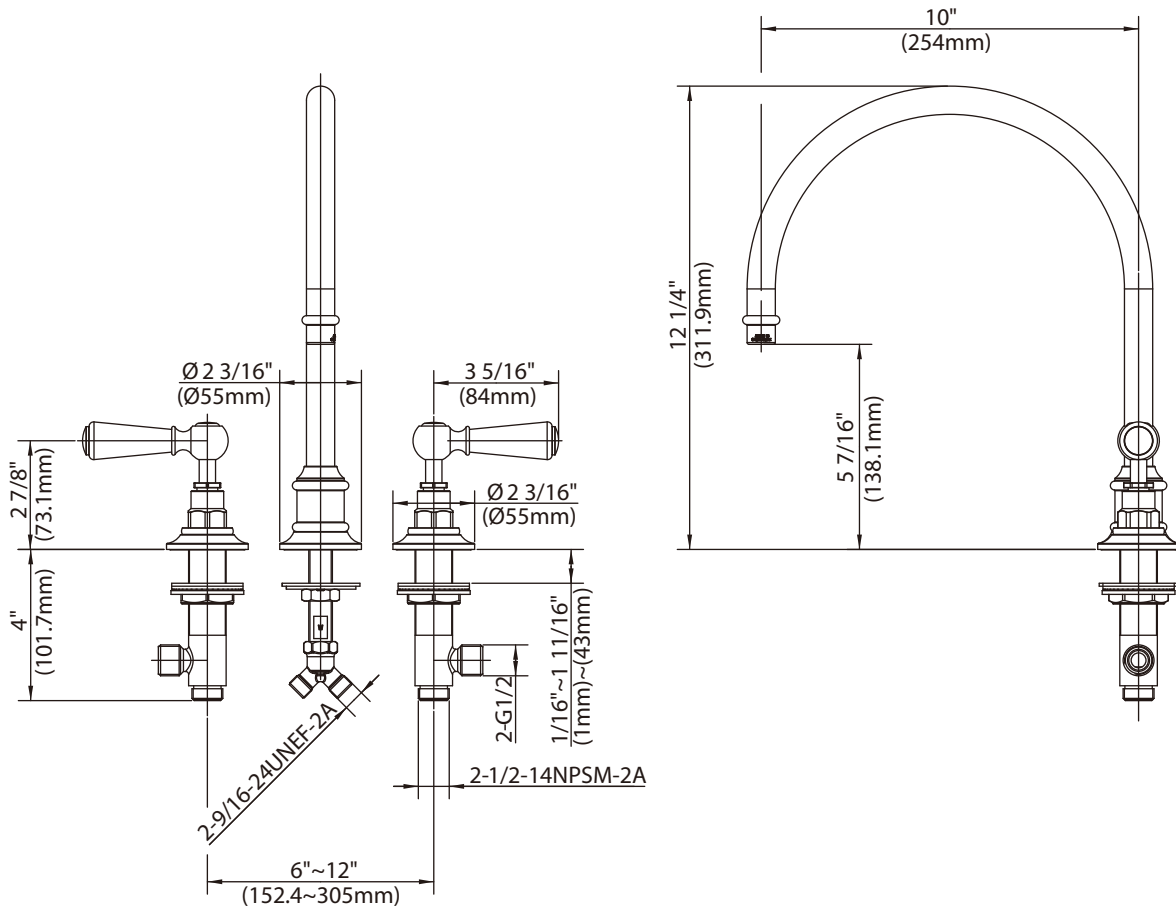
**CW-4711 (WL1560)**

WHITE LEVER TUBULAR 3-HOLE KITCHEN MIXER

**DIMENSIONAL DATA SHEET**

DATE: 27 November 2013

No: FW2C6000



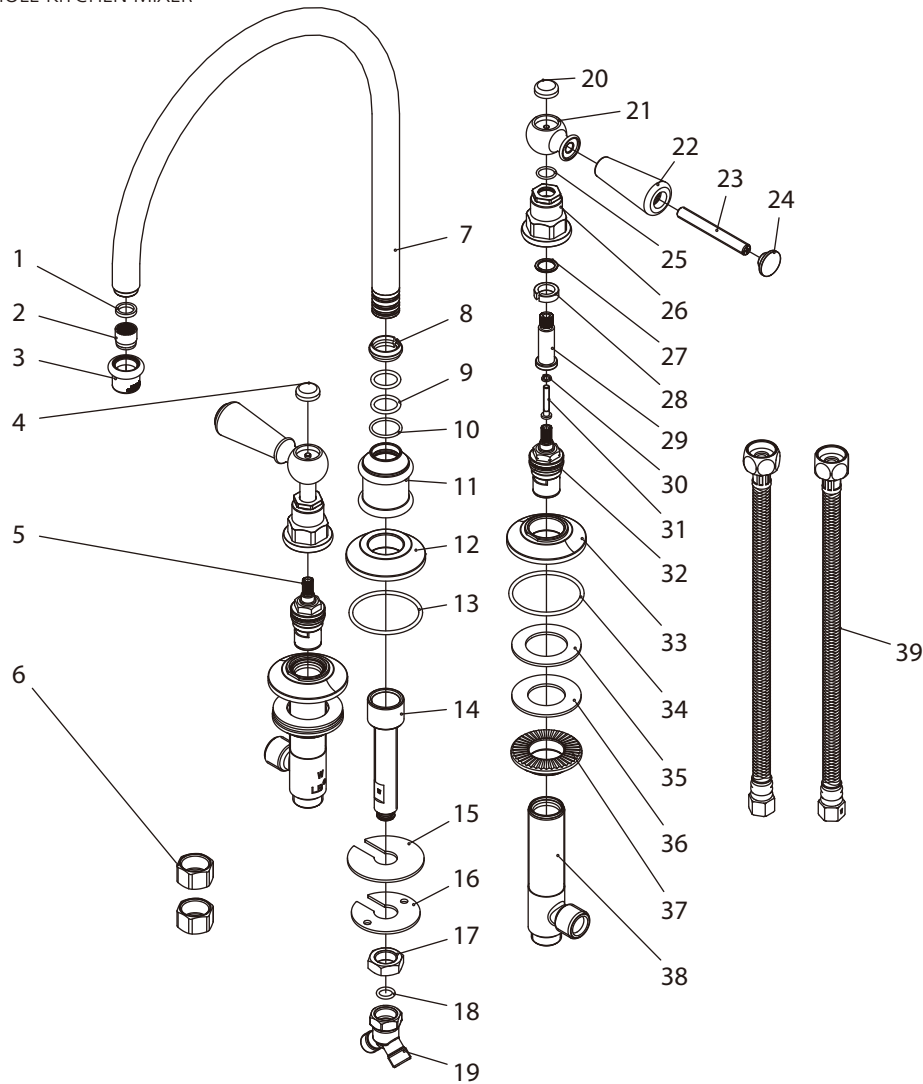
COPYRIGHT © LBIP LTD 2012. ALL RIGHTS RESERVED.

DIMENSIONS IN INCHES & MILLIMETRES

WHILST EVERY EFFORT IS MADE TO ENSURE THE ACCURACY OF THESE DATA SHEETS THEY ARE SUBJECT TO CHANGE WITHOUT NOTICE AS PART OF THE COMPANY'S PRODUCT DEVELOPMENT PROCESS

# CW-4711 (WL1560)

WHITE LEVER TUBULAR 3-HOLE KITCHEN MIXER

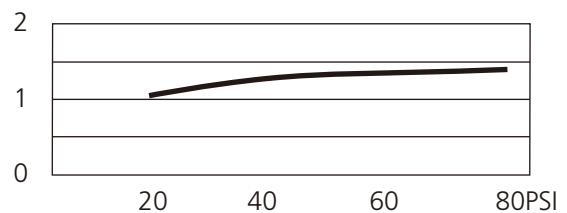


1	Oil seal (010519N)	14	Connecting tub (014905W)	27	Washer (013224)
2	Aerator insert (553661N)	15	Oil seal (058094)	28	Clip (012242)
3	Aerator housing (305849N-54)	16	Washer (013006)	29	Stem extension (110461)
4	Ceramic cap ( H ) (129313H)	17	Nut (009015)	30	Washer (013570)
5	Cartridge ( H ) (507175N)	18	O-ring (004026N)	31	Screw (008670)
6	Copper nut (504003)	19	Connector (015004W)	32	Cartridge ( C ) (507176N)
7	Spout ssembly (139871W)	20	Ceramic cap ( C ) (129313C)	33	Escutcheon (215486)
8	Clip (012003)	21	Adaptor (205144)	34	O-ring (004627)
9	O-ring (004005N)	22	Handle sleeve (108924)	35	Oil seal (010017)
10	O-ring (004109N)	23	Handle stem (017094)	36	Washer (013158)
11	Canoply (000088)	24	Handle-end cap (109376)	37	Nut (009834)
12	Escutcheon (303461)	25	O-ring (048085)	38	Side body (061893W)
13	O-ring (004617)	26	Canopy (018220)	39	Flexible hose (105750W)

## Standards

IAPMO/cUPC Listed  
Meets NSF 61-9  
Meets A112.18.1

## Flow Rate



Please note :

Final achievable flow rate is dependent on the outlets fitted, see relevant outlets (spouts, roses, sprays) for fully assembled product flow rate.