



**LEFROY BROOKS**

1 8 2 8 T R O U T M A N S T R E E T  
R I D G E W O O D N E W Y O R K N Y 1 1 3 8 5 U S A  
T: +1(718) 302 5292 F: +1(718) 302 4177

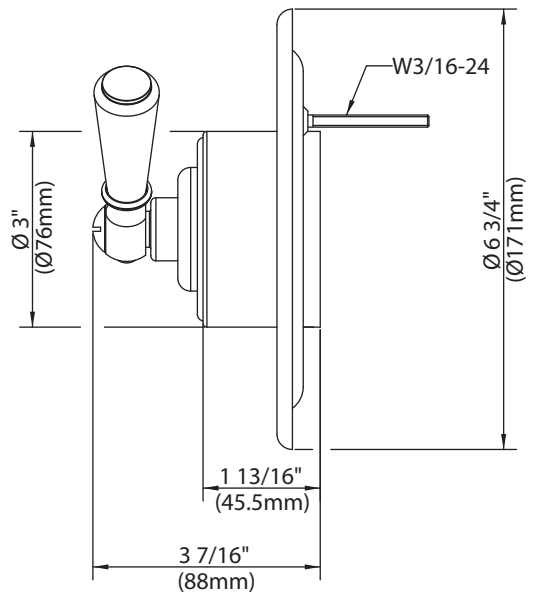
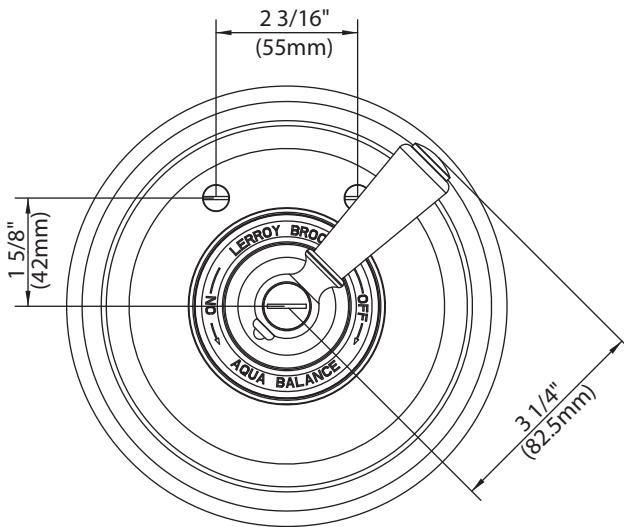
**CW-4071**

WHITE LEVER ARCHIPELAGO PRESSURE BALANCE MIXING VALVE  
TRIM ONLY, TO SUIT M1-4100 ROUGH

**DIMENSIONAL DATA SHEET**

DATE: 27 MARCH 2014

No: A667033CW/JB



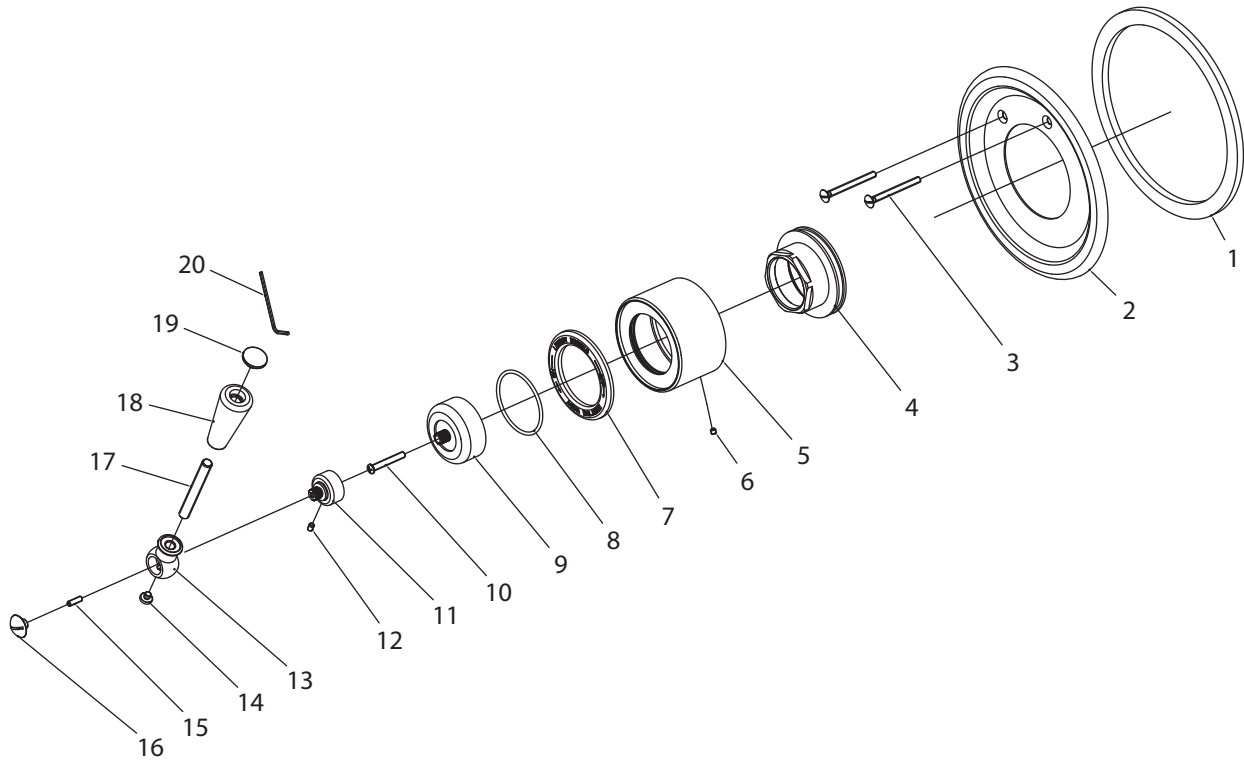
COPYRIGHT © LBIP LTD 2012. ALL RIGHTS RESERVED.

DIMENSIONS IN INCHES & MILLIMETRES

WHILST EVERY EFFORT IS MADE TO ENSURE THE ACCURACY OF THESE DATA SHEETS THEY ARE SUBJECT TO CHANGE WITHOUT NOTICE AS PART OF THE COMPANY'S PRODUCT DEVELOPMENT PROCESS

# CW-4071

WHITE LEVER ARCHIPELAGO PRESSURE BALANCE MIXING VALVE TRIM ONLY, TO SUIT M1-4100 ROUGH



1	Seal (013007)	8	O-ring (004623R)	15	Set screw (292556)
2	Front plate (006225)	9	Canopy (018251)	16	Screw head (008291)
3	Screw (008101)	10	Screw (008109)	17	Handle stem (017094)
4	Adjusting ring (104292)	11	Canopy (205003)	18	Handle sleeve (108924)
5	Canopy (018394)	12	Set screw (075018)	19	Handle-end cap (109376)
6	Set screw (065086)	13	Handle head (205002)	20	Allen key (031003)
7	Ceramic ring (023660-50)	14	Handle adaptor (109377)		

## Standards

IAPMO/cUPC Listed  
Meets A112.18.1

Please note :  
Final achievable flow rate is dependent on the outlets fitted, see relevant outlets (spouts, roses, sprays) for fully assembled product flow rate.