



LEFROY BROOKS

1 8 2 8 T R O U T M A N S T R E E T
R I D G E W O O D N E W Y O R K N Y 1 1 3 8 5 U S A
T: +1(718) 302 5292 F: +1(718) 302 4177

CW-2601 (WL1107)

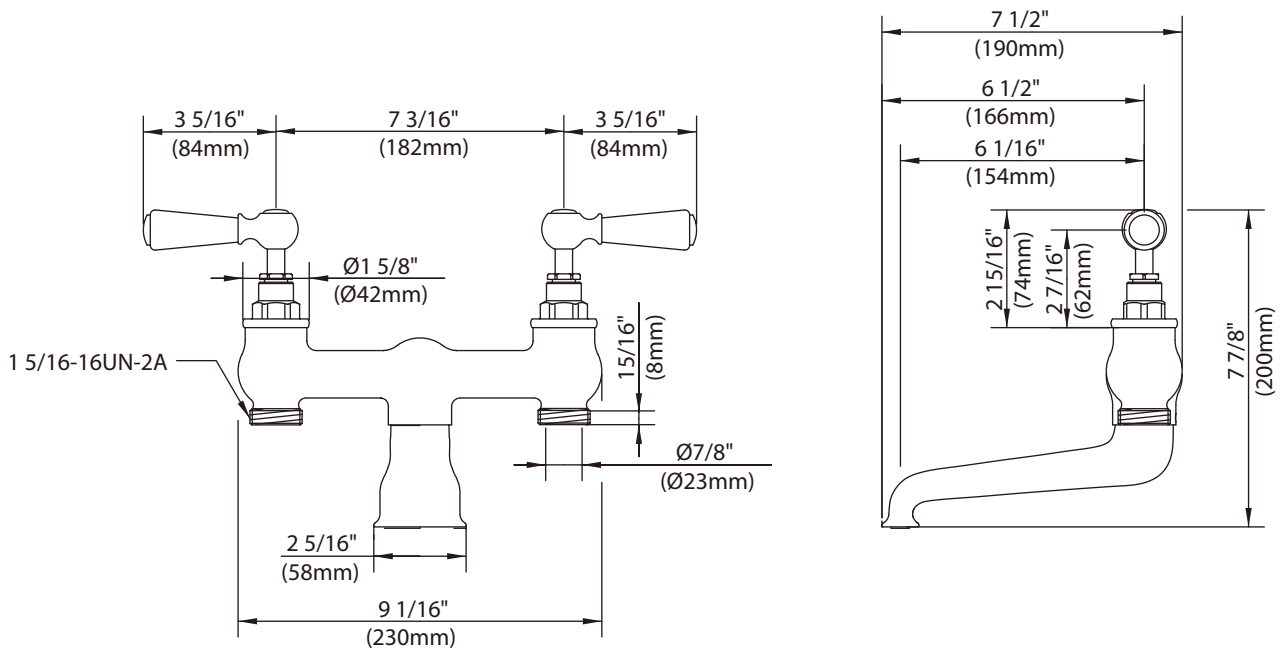
WHITE LEVER BATH FILLER

DIMENSIONAL DATA SHEET

DATE: 29 April 2014

No: F23A6601

COPYRIGHT © LBIP LTD 2012. ALL RIGHTS RESERVED.

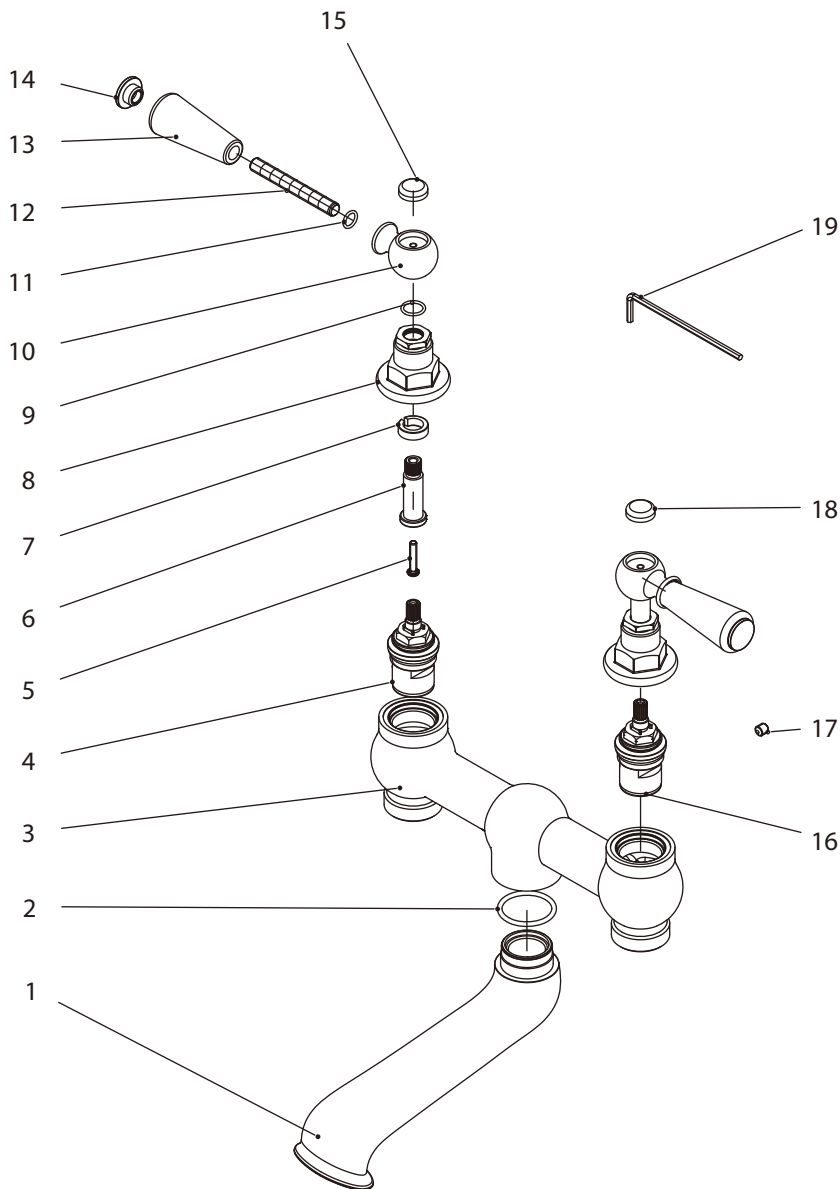


DIMENSIONS IN INCHES & MILLIMETRES

WHILST EVERY EFFORT IS MADE TO ENSURE THE ACCURACY OF THESE DATA SHEETS THEY ARE SUBJECT TO CHANGE WITHOUT NOTICE AS PART OF THE COMPANY'S PRODUCT DEVELOPMENT PROCESS

CW-2601 (WL1107)

WHITE LEVER BATH FILLER

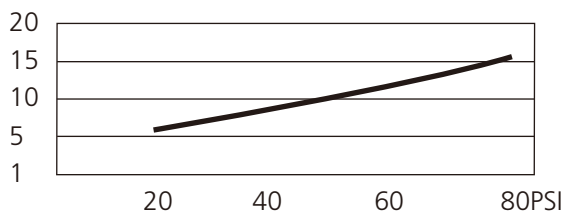


1	Spout (118559)	8	Canopy (009355)	15	Ceramic cap (H) (129313H)
2	O-ring (004596N)	9	O-ring (048085N)	16	Cartridge (C) (507456)
3	Body (066087)	10	Handle head (205144)	17	Set screw (065154)
4	Cartridge (H) (507455)	11	O-ring (072060N)	18	Ceramic cap (C) (129313C)
5	Screw (008744)	12	Handle stem (017094)	19	Allen key (031017)
6	Stem extension (110461)	13	Handle sleeve (108924)		
7	Clip (012242)	14	Handle end-cap (109376)		

Standards

IAPMO/cUPC Listed
Meets A112.18.1

Flow Rate



Please note :

Final achievable flow rate is dependent on the outlets fitted, see relevant outlets (spouts, roses, sprays) for fully assembled product flow rate.