



LEFROY BROOKS

1 8 2 8 T R O U T M A N S T R E E T
R I D G E W O O D N E W Y O R K N Y 1 1 3 8 5 U S A
T: +1(718) 302 5292 F: +1(718) 302 4177

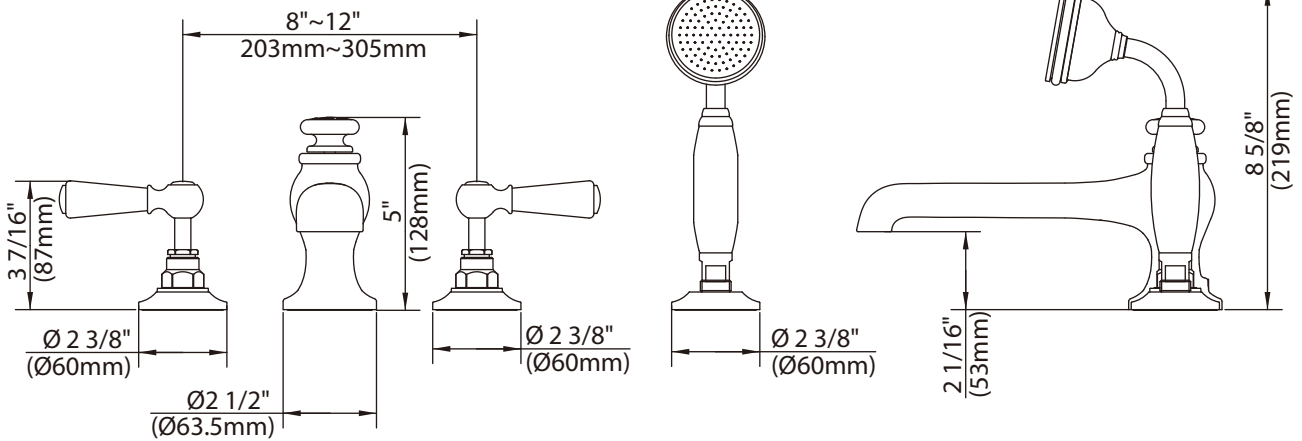
CW-2153

WHITE LEVER 4-HOLE BATH SET WITH DIVERTER AND METAL-FINISHED HAND SHOWER TO SUIT R1-4025 ROUGH

DIMENSIONAL DATA SHEET

DATE: 16 October 2012

No: A66F448



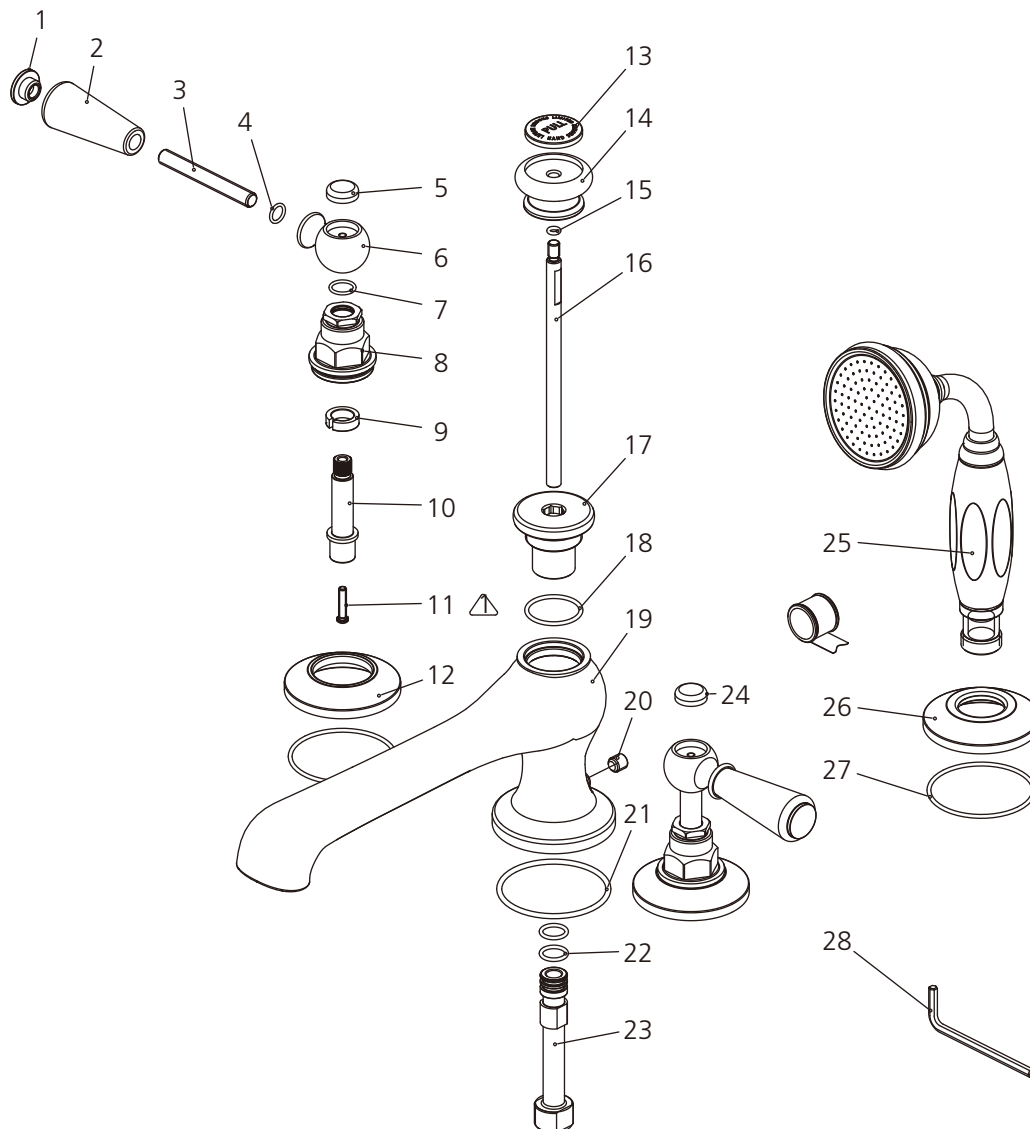
COPYRIGHT © LBIP LTD 2012. ALL RIGHTS RESERVED.

DIMENSIONS IN INCHES & MILLIMETRES

WHILST EVERY EFFORT IS MADE TO ENSURE THE ACCURACY OF THESE DATA SHEETS THEY ARE SUBJECT TO CHANGE WITHOUT NOTICE AS PART OF THE COMPANY'S PRODUCT DEVELOPMENT PROCESS

CW-2153

WHITE LEVER 4-HOLE BATH SET WITH DIVERTER AND METAL-FINISHED HAND SHOWER TO SUIT R1-4025 ROUGH



1	Lever cap (109376)	11	Screw (008486)	21	O-ring (072022)
2	Lever (108924)	12	Escutcheon (215478)	22	O-ring (004079N)
3	Screw (017094)	13	Ceramic cap (023662-50)	23	Adaptor (057929)
4	O-ring (072060)	14	Diverter knob (124025)	24	Ceramic cap (C) (129313C)
5	Ceramic cap (H) (129313H)	15	O-ring (072098)	25	Hand shower (S2110311)
6	Lever adaptor (205144)	16	Diverter rod (125301)	26	Escutcheon (071433)
7	O-ring (048085)	17	Nut (009087)	27	O-ring (004640N)
8	Canopy (018255)	18	O-ring (004081)	28	Allen key (031011)
9	Clip (012242)	19	Spout (118009)		
10	Stem extension (110319)	20	Set screw (292565)		

Standards

IAPMO/cUPC Listed
Meets A112.18.1

Please note :
Final achievable flow rate is dependent on the outlets fitted, see relevant outlets (spouts, roses, sprays) for fully assembled product flow rate.