



LEFROY BROOKS

1 8 2 8 T R O U T M A N S T R E E T  
R I D G E W O O D N E W Y O R K N Y 1 1 3 8 5 U S A  
T : + 1 ( 7 1 8 ) 3 0 2 5 2 9 2 F : + 1 ( 7 1 8 ) 3 0 2 4 1 7 7

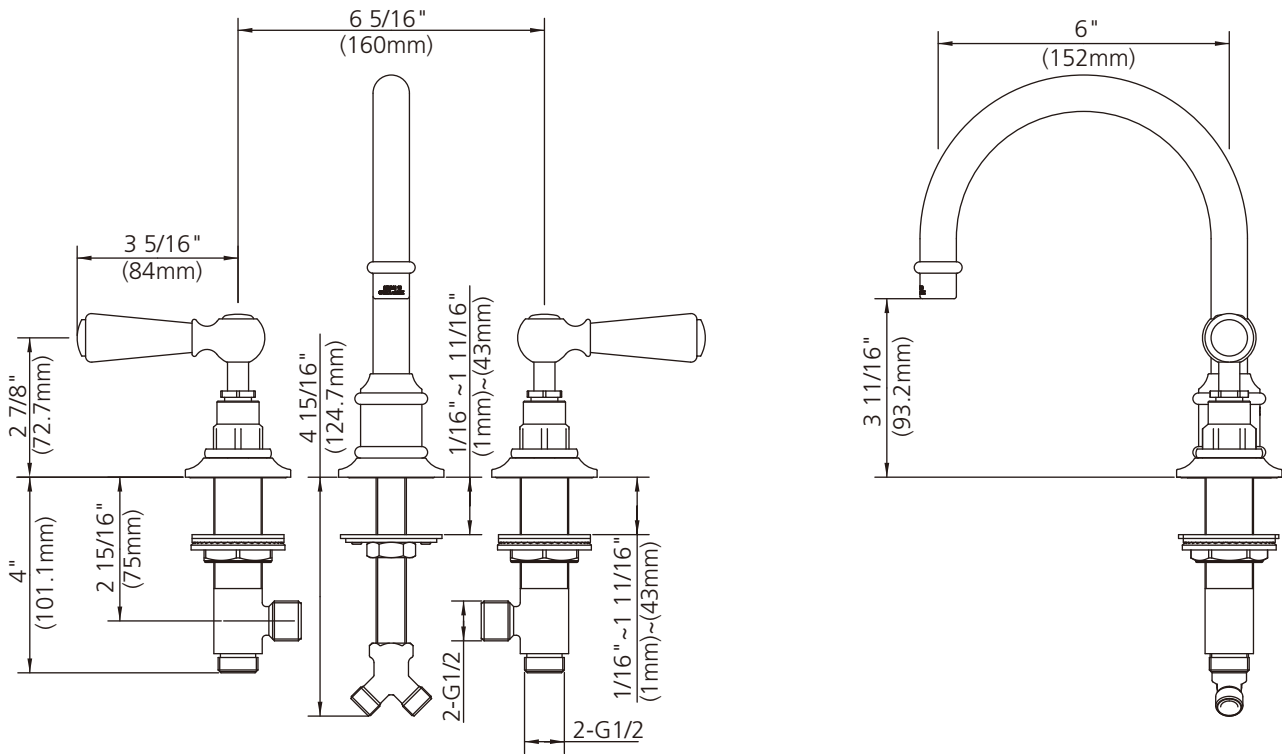
CW-1108 (WL1230)

WHITE LEVER TUBULAR 3-HOLE BASIN MIXER

DIMENSIONAL DATA SHEET

DATE: 17 January 2014

FW1C6101



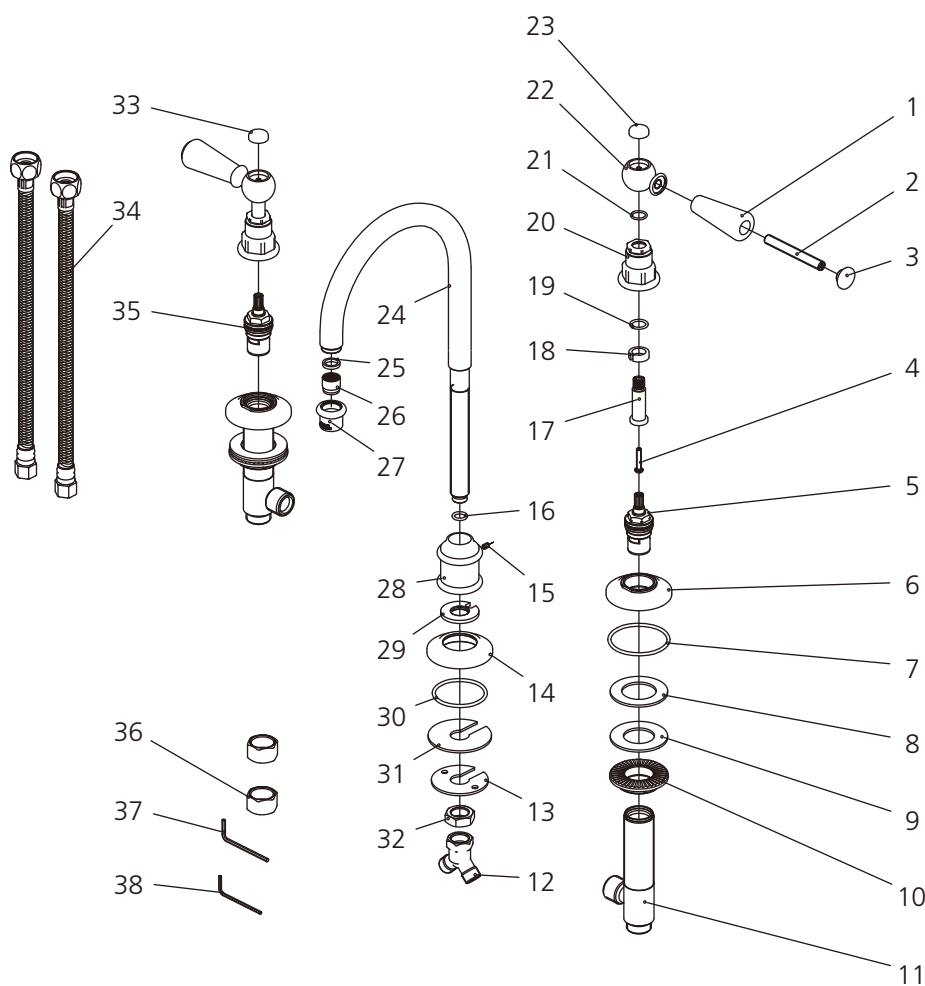
COPYRIGHT © LBIP LTD 2012. ALL RIGHTS RESERVED.

DIMENSIONS IN INCHES & MILLIMETRES

WHILST EVERY EFFORT IS MADE TO ENSURE THE ACCURACY OF THESE DATA SHEETS THEY ARE SUBJECT TO CHANGE WITHOUT NOTICE AS PART OF THE COMPANY'S PRODUCT DEVELOPMENT PROCESS

# CW-1108 (WL1230)

WHITE LEVER TUBULAR 3-HOLE BASIN MIXER

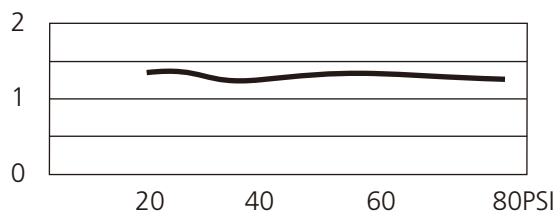


1	Handle sleeve (108924)	14	Escutcheon (071326)	27	Aerator housing (305849N-54)
2	Screw (017094)	15	Set screw (292562)	28	Canopy (000085)
3	Lever cap (109376)	16	O-ring (004026N)	29	Gasket (013797)
4	Screw (008744)	17	Stem extension (110461)	30	O-ring (004072N)
5	Cartridge (cold) (507176N)	18	Clip (012242)	31	Oil-seal (058094)
6	Escutcheon (215486)	19	Washer (013224)	32	Nut (009015)
7	O-ring (004627)	20	Canopy (018220)	33	Ceramic cap (129313H)
8	Oil-seal (010017)	21	O-ring (048085)	34	Flexible hose (105750W)
9	Washer (013158)	22	Lever seat (205144)	35	Cartridge (hot) (507175N)
10	Nut (009834)	23	Ceramic cap (129313C)	36	Coupling nut (504003)
11	Side body (061893W)	24	Tubular spout (139870W)	37	Allen key (031000)
12	Connector (015004W)	25	Oil-seal (010519N)	38	Allen key (031003)
13	Washer (013006)	26	Aerator insert (553661N)		

## Standards

IAPMO/cUPC Listed  
Meets NSF 61-9  
Meets A112.18.1

## Flow Rate



Please note :

Final achievable flow rate is dependent on the outlets fitted, see relevant outlets (spouts, roses, sprays) for fully assembled product flow rate.