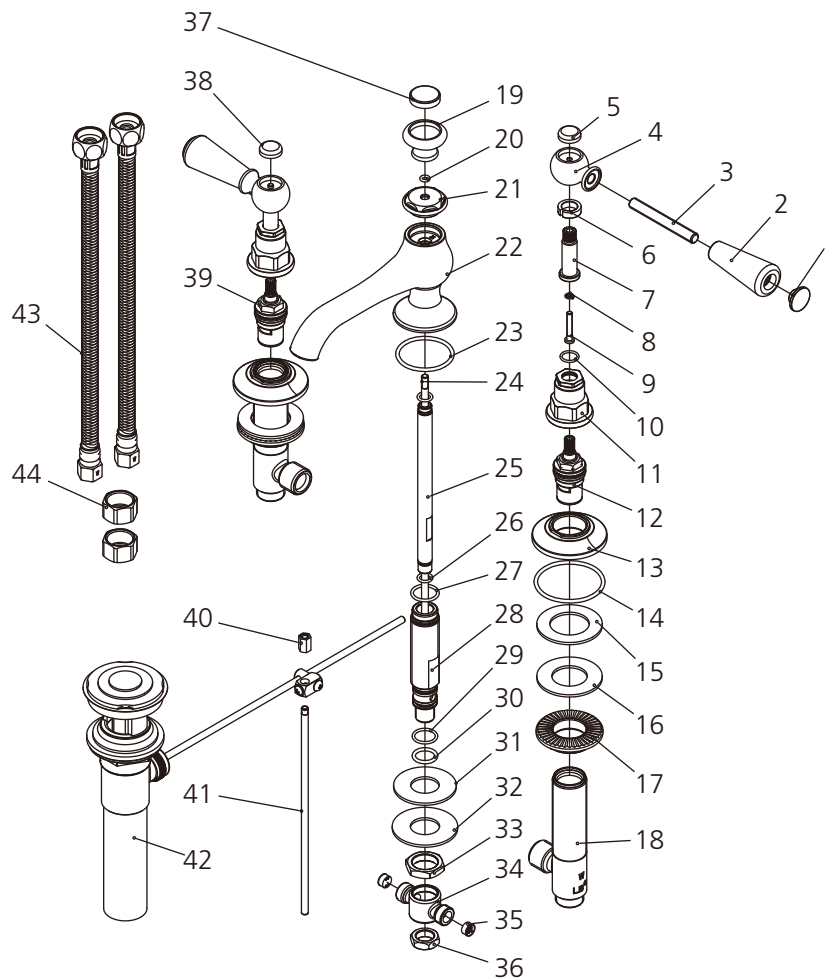


CW-1105 (WL1224)

WHITE LEVER CONNAUGHT 3-HOLE BASIN MIXER WITH POP-UP WASTE

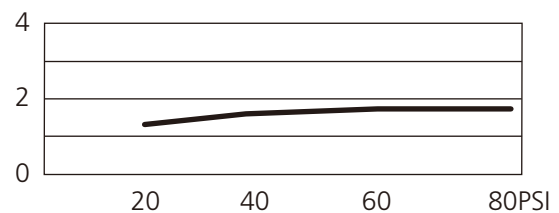


1	Lever cap (109376)	16	Washer (013158)	32	Washer (013202)
2	Lever (108924)	17	Nut (009834)	33	Nut (009009)
3	Screw (017094)	18	Side body (061893W)	34	Connector (015001W)
4	Lever seat (205144)	19	Pop-up knob (124408)	35	Flow restrictor (519233N)
5	Ceramic cap (C) (129313C)	20	O-ring (048044)	36	Nut (009002)
6	Clip (012242)	21	Adaptor (039154)	37	Ceramic cap (129312-50)
7	Stem extension (110461)	22	Spout (118012W-55)	38	Ceramic cap (H) (129313H)
8	Washer (013570)	23	O-ring (048036)	39	Cartridge assembly (H) (507175W)
9	Screw (008670)	24	Pop-up rod (125063)	40	Adaptor (077125)
10	O-ring (048085)	25	Steel tube (043101)	41	Pop-up rod (110041)
11	Canopy (018220)	26	O-ring (004001N)	42	Pop-up sub-assembly (556781)
12	Cartridge assembly (C) (507176W)	27	O-ring (004043N)	43	Flexible hose (105750W)
13	Escutcheon (215486)	28	Connecting body (014016W)	44	Coupling nut (504003)
14	O-ring (004627)	29	O-ring (004115N)		
15	Oil-seal (010017)	30	O-ring (004005N)		
		31	Washer (060041)		

Standards

IAPMO/cUPC Listed
Meets NSF 61-9
Meets A112.18.1

Flow Rate



Please note :

Final achievable flow rate is dependent on the outlets fitted, see relevant outlets (spouts, roses, sprays) for fully assembled product flow rate.