



LEFROY BROOKS

1 8 2 8 T R O U T M A N S T R E E T  
R I D G E W O O D N E W Y O R K N Y 1 1 3 8 5 U S A  
T : + 1 ( 7 1 8 ) 3 0 2 5 2 9 2 F : + 1 ( 7 1 8 ) 3 0 2 4 1 7 7

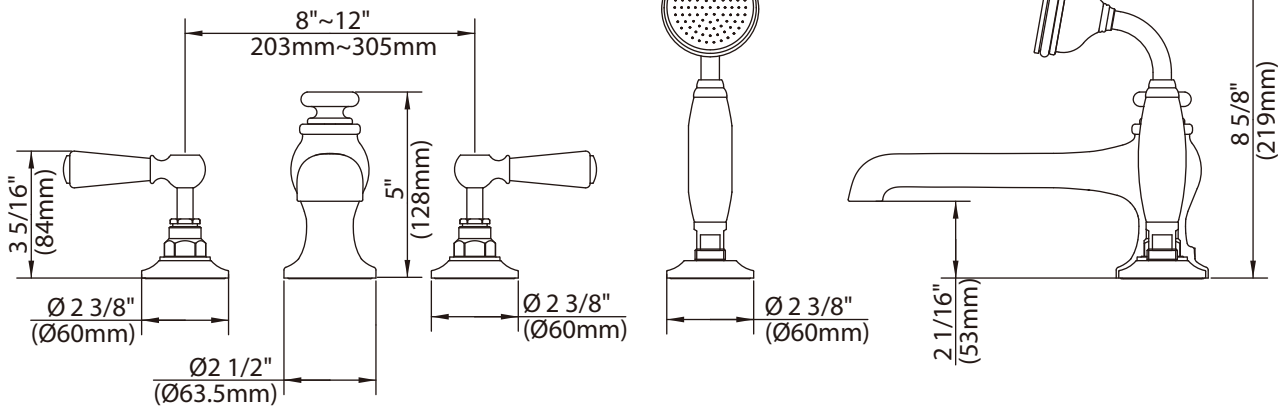
CB-2151 (BL1250)

BLACK LEVER 4-HOLE BATH SET WITH PULL-UP DIVERTER TRIM ONLY, TO SUIT R1-4025 ROUGH

DIMENSIONAL DATA SHEET

DATE: 16 October 2012

No: A66F449



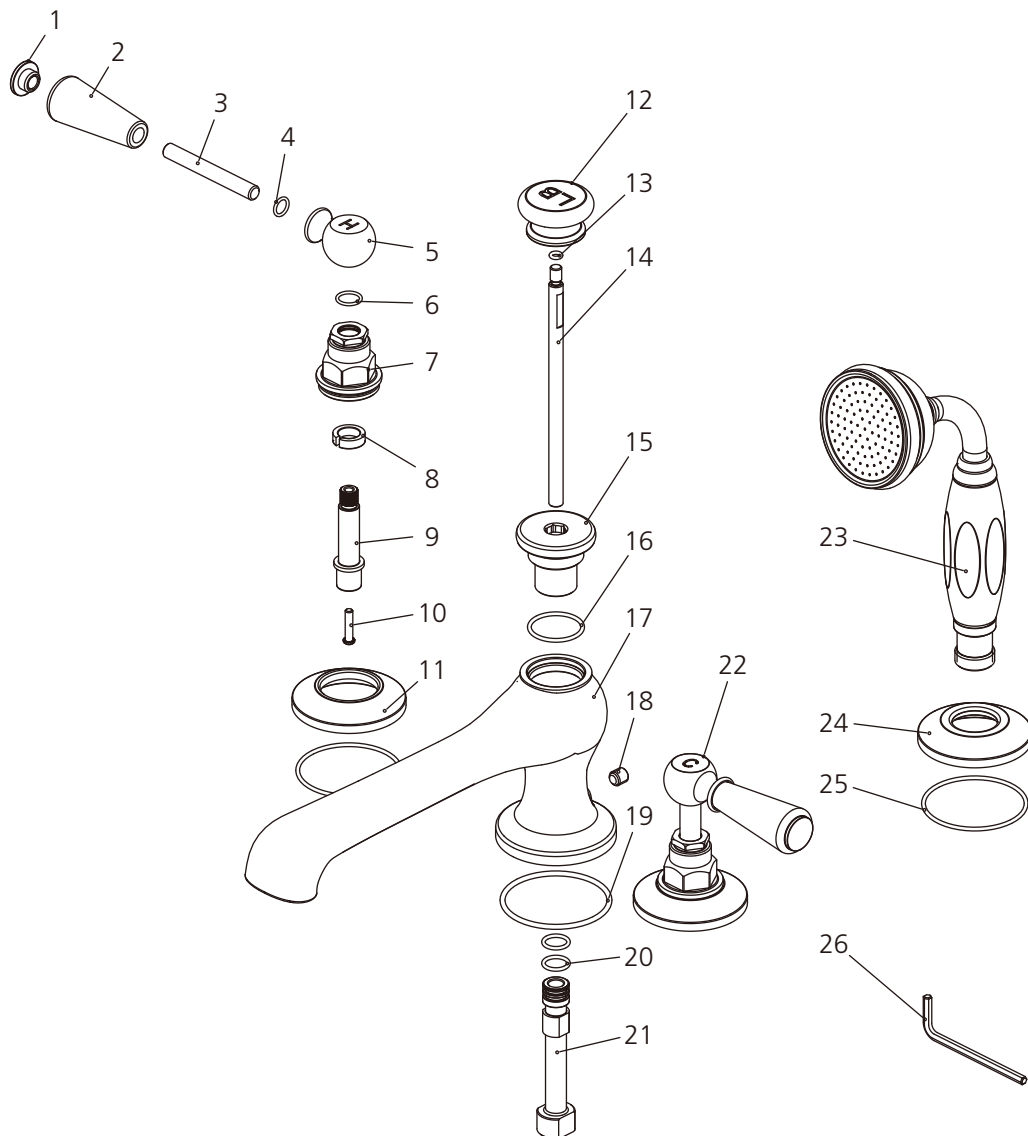
COPYRIGHT © LBIP LTD 2012. ALL RIGHTS RESERVED.

DIMENSIONS IN INCHES & MILLIMETRES

WHILST EVERY EFFORT IS MADE TO ENSURE THE ACCURACY OF THESE DATA SHEETS THEY ARE SUBJECT TO CHANGE WITHOUT NOTICE AS PART OF THE COMPANY'S PRODUCT DEVELOPMENT PROCESS

# CB-2151 (BL1250)

BLACK LEVER 4-HOLE BATH SET WITH PULL-UP DIVERTER TRIM ONLY, TO SUIT R1-4025 ROUGH



1	Lever cap (109376)	10	Screw (008486)	19	O-ring (072022)
2	Lever (108924)	11	Escutcheon (215478)	20	O-ring (004079N)
3	Screw (017094)	12	Diverter knob (124411-50)	21	Adaptor (057929)
4	O-ring (072060)	13	O-ring (072098)	22	Lever adaptor ( C ) (205143C)
5	Lever adaptor ( H ) (205143H)	14	Diverter rod (125301)	23	Hand shower (S2110311)
6	O-ring (048085)	15	Nut (009087)	24	Escutcheon (071433)
7	Canopy (018255)	16	O-ring (004081)	25	O-ring (004640N)
8	Clip (012242)	17	Spout (118009)	26	Allen key (031011)
9	Stem extension (110319)	18	Set screw (292565)		

## Standards

IAPMO/cUPC Listed  
Meets A112.18.1

Please note :  
Final achievable flow rate is dependent on the outlets fitted, see relevant outlets (spouts, roses, sprays) for fully assembled product flow rate.