



LEFROY BROOKS

1 8 2 8 T R O U T M A N S T R E E T  
R I D G E W O O D N E W Y O R K N Y 1 1 3 8 5 U S A  
T : + 1 ( 7 1 8 ) 3 0 2 5 2 9 2 F : + 1 ( 7 1 8 ) 3 0 2 4 1 7 7

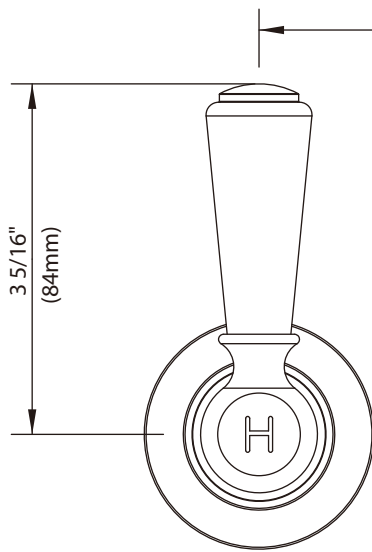
CB-1024

LEVER WALL FLOW CONTROLS (1 PAIR), TRIM ONLY, TO SUIT  
R1-4031 ROUGH

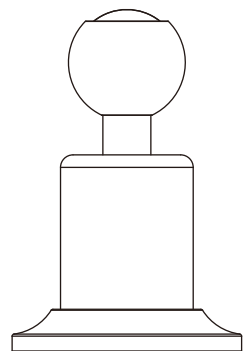
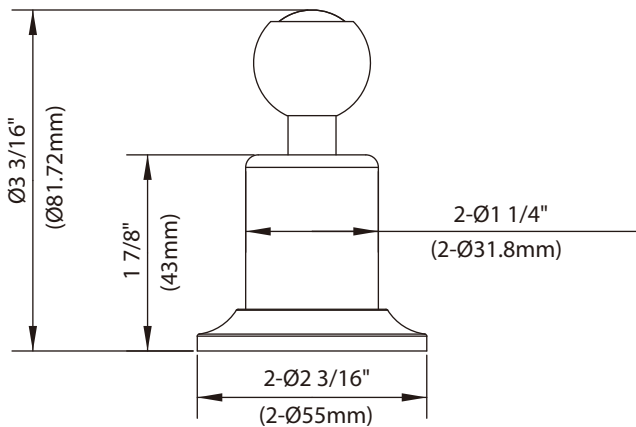
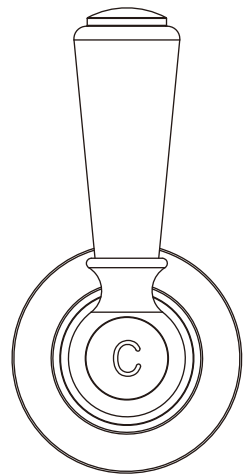
DIMENSIONAL DATA SHEET

DATE: 09 MAY 2014

No: A66E833-50



8"  
(203.2mm)



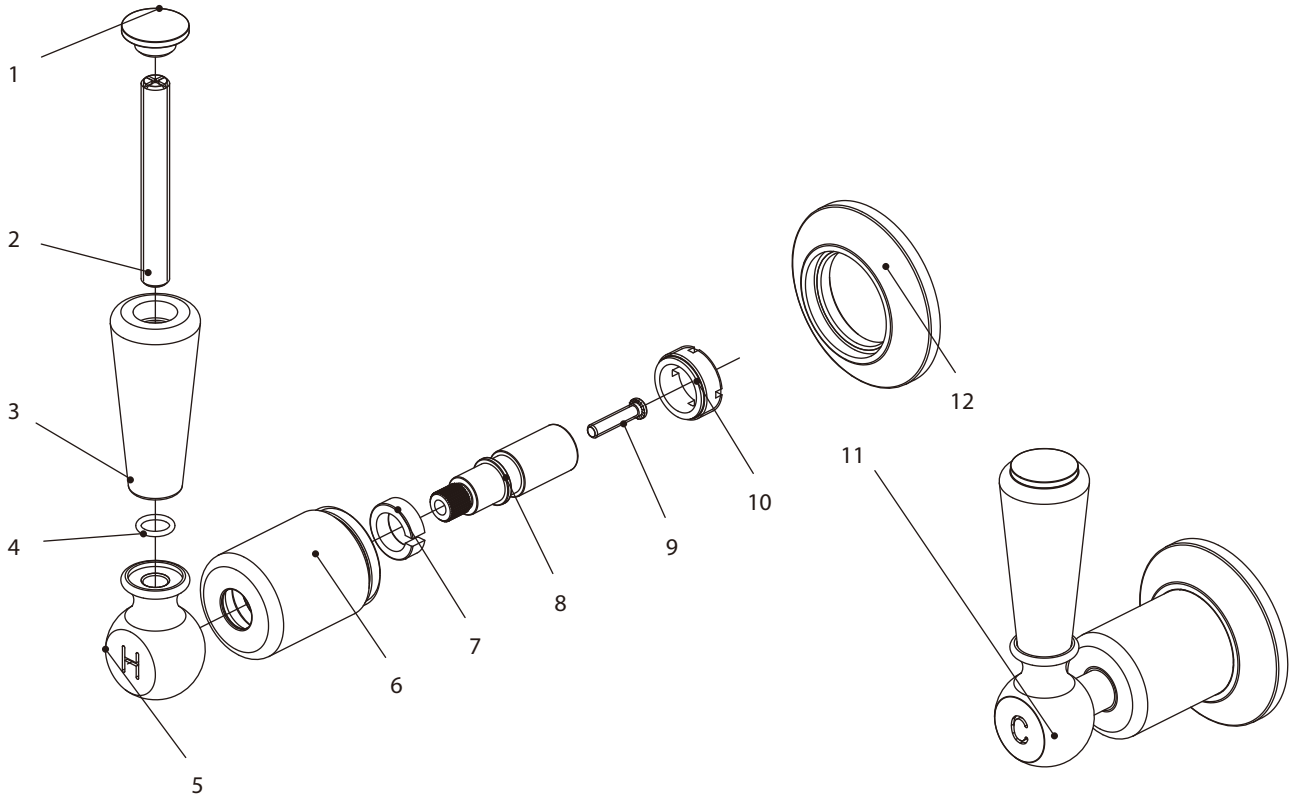
COPYRIGHT © LBIP LTD 2012. ALL RIGHTS RESERVED.

DIMENSIONS IN INCHES & MILLIMETRES

WHILST EVERY EFFORT IS MADE TO ENSURE THE ACCURACY OF THESE DATA SHEETS THEY ARE SUBJECT TO CHANGE WITHOUT NOTICE AS PART OF THE COMPANY'S PRODUCT DEVELOPMENT PROCESS

# CB-1024

LEVER WALL FLOW CONTROLS (1 PAIR), TRIM ONLY, TO SUIT R1-4031 ROUGH



1	Lever cap (109376)	5	Lever seat (205143H-50)	9	Screw (008486)
2	Screw (017094)	6	Canopy (018294)	10	Adaptor (057507)
3	Lever (108924)	7	Clip (012242)	11	Lever seat (205143C-50)
4	O-ring (072060N)	8	Stem extension (110368)	12	Escutcheon (034209)

## Standards

IAPMO/cUPC Listed  
Meets A112.18.1

Please note :  
Final achievable flow rate is dependent on the outlets fitted, see relevant outlets (spouts, roses, sprays) for fully assembled product flow rate.