



LEFROY BROOKS

1 8 2 8 T R O U T M A N S T R E E T  
R I D G E W O O D N E W Y O R K N Y 1 1 3 8 5 U S A  
T: +1(718) 302 5292 F: +1(718) 302 4177

C1-2600

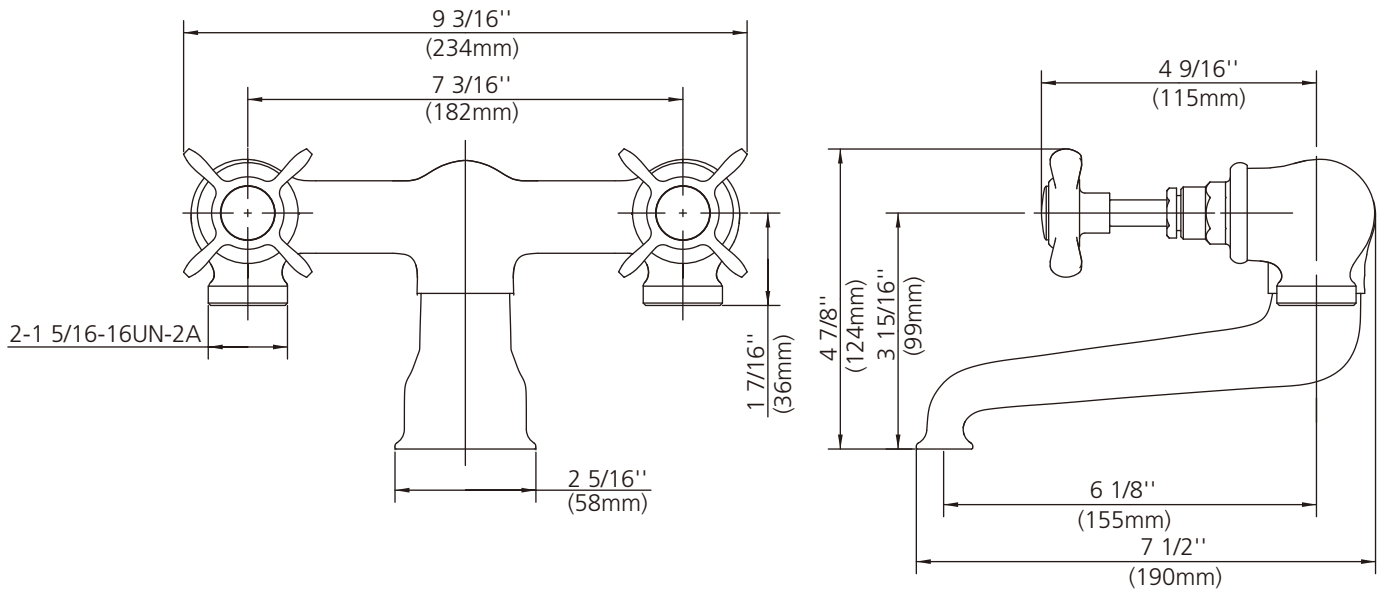
CROSS HANDLE BATH FILLER

DIMENSIONAL DATA SHEET

DATE: 09 MAY 2014

No: F20AC601

COPYRIGHT © LBP LTD 2012. ALL RIGHTS RESERVED.

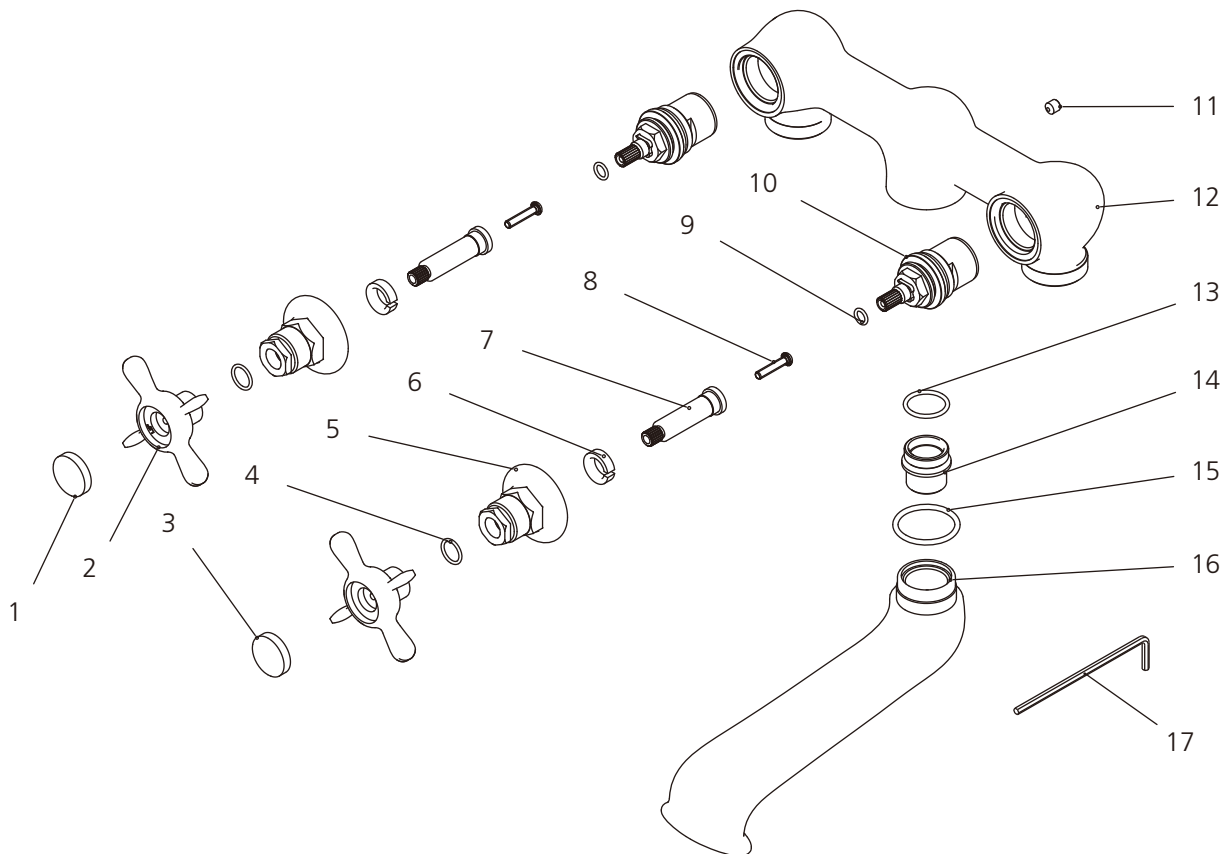


DIMENSIONS IN INCHES & MILLIMETRES

WHILST EVERY EFFORT IS MADE TO ENSURE THE ACCURACY OF THESE DATA SHEETS THEY ARE SUBJECT TO CHANGE WITHOUT NOTICE AS PART OF THE COMPANY'S PRODUCT DEVELOPMENT PROCESS

# C1-2600

CROSS HANDLE BATH FILLER

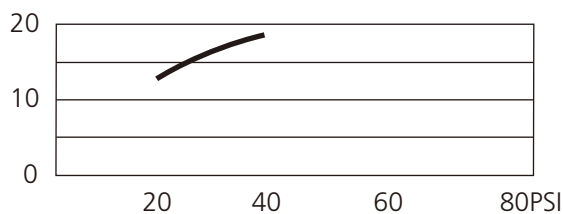


1	Ceramic cap ( H ) (129312H)	7	Stem extension (110468)	13	O-ring (063066N)
2	Handle (069031)	8	Screw (008744)	14	Adapter (077173)
3	Ceramic cap ( C ) (129312C)	9	O-ring (072025N)	15	O-ring (004596N)
4	O-ring (048085N)	10	Cartridge (507911)	16	Spout (118559)
5	Canopy (009354)	11	Set screw (065154)	17	Allen key (031017)
6	Clip (012242)	12	Body (002781)		

## Standards

IAPMO/cUPC Listed  
Meets A112.18.1

## Flow Rate



Please note :

Final achievable flow rate is dependent on the outlets fitted, see relevant outlets (spouts, roses, sprays) for fully assembled product flow rate.