



LEFROY BROOKS

1 8 2 8 T R O U T M A N S T R E E T
R I D G E W O O D N E W Y O R K N Y 1 1 3 8 5 U S A
T: +1(718) 302 5292 F: +1(718) 302 4177

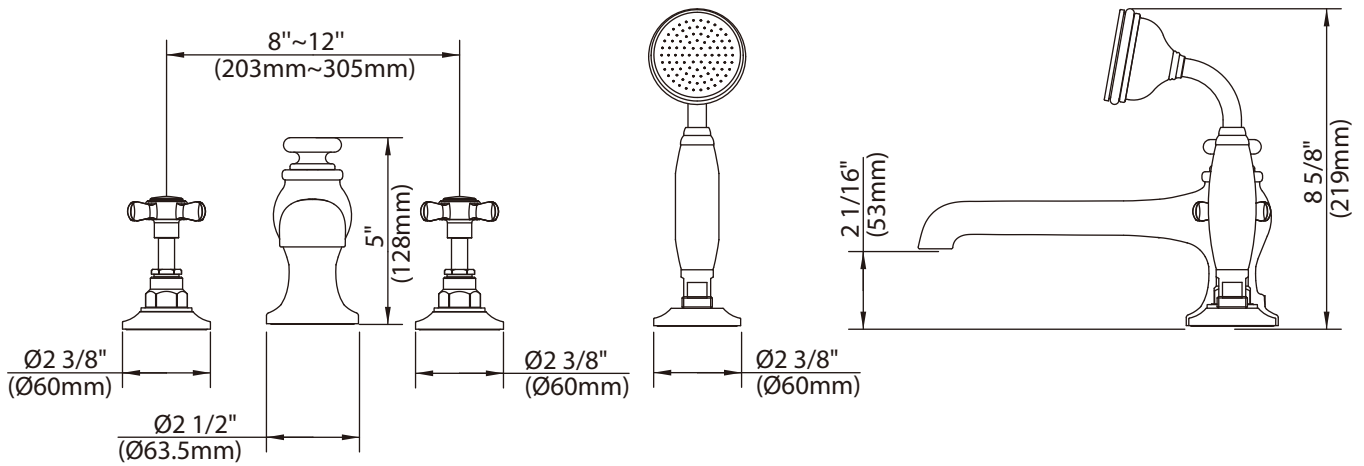
C1-2150 (LB1250)

CROSS HANDLE 4-HOLE BATH SET WITH PULL-UP DIVERTER TRIM ONLY, TO SUIT R1-4024 ROUGH

DIMENSIONAL DATA SHEET

DATE: 16 October 2012

No: A66F536



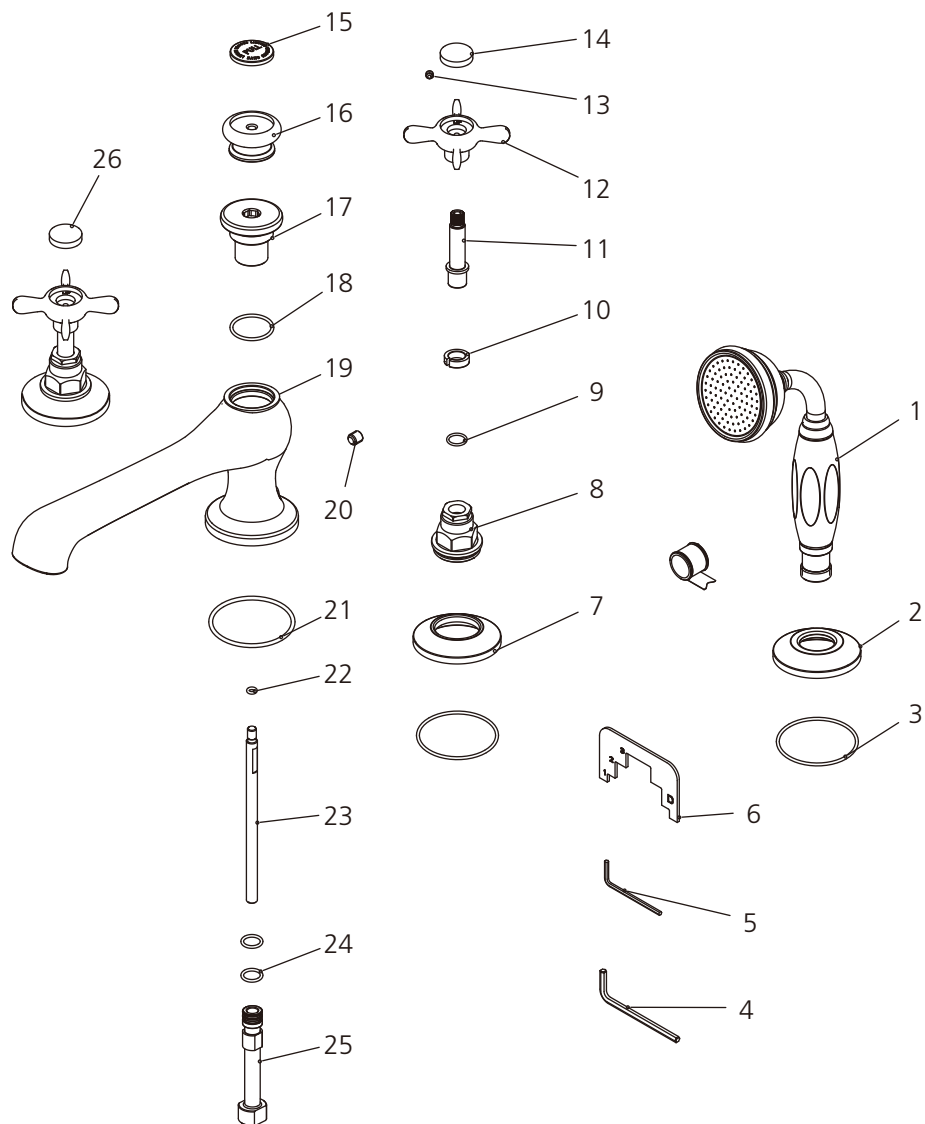
COPYRIGHT © LBIP LTD 2012. ALL RIGHTS RESERVED.

DIMENSIONS IN INCHES & MILLIMETRES

WHILST EVERY EFFORT IS MADE TO ENSURE THE ACCURACY OF THESE DATA SHEETS THEY ARE SUBJECT TO CHANGE WITHOUT NOTICE AS PART OF THE COMPANY'S PRODUCT DEVELOPMENT PROCESS

C1-2150 (LB1250)

CROSS HANDLE 4-HOLE BATH SET WITH PULL-UP DIVERTER TRIM ONLY, TO SUIT R1-4024 ROUGH



1	Hand shower (S2110311)	10	Clip (012242)	19	Spout (118009)
2	Escutcheon (071433)	11	Stem extension (110338)	20	Set screw (292565)
3	O-ring (004640N)	12	Handle (069031)	21	O-ring (072022)
4	Allen key (031011)	13	Set screw (075210)	22	O-ring (072098)
5	Allen key (031000)	14	Ceramic cap (C) (129312C)	23	Diverter rod (125301)
6	Gauge D (027108)	15	Ceramic cap (023662-50)	24	O-ring (004079N)
7	Escutcheon (215478)	16	Diverter knob (124025)	25	Adaptor (057929)
8	Canopy (018255)	17	Nut (009087)	26	Ceramic cap (H) (129312H)
9	O-ring (048085)	18	O-ring (004081)		

Standards

IAPMO/cUPC Listed
Meets A112.18.1

Please note :
Final achievable flow rate is dependent on the outlets fitted, see relevant outlets (spouts, roses, sprays) for fully assembled product flow rate.