



**LEFROY BROOKS**

1 8 2 8 T R O U T M A N S T R E E T  
R I D G E W O O D N E W Y O R K N Y 1 1 3 8 5 U S A  
T : + 1 ( 7 1 8 ) 3 0 2 5 2 9 2 F : + 1 ( 7 1 8 ) 3 0 2 4 1 7 7

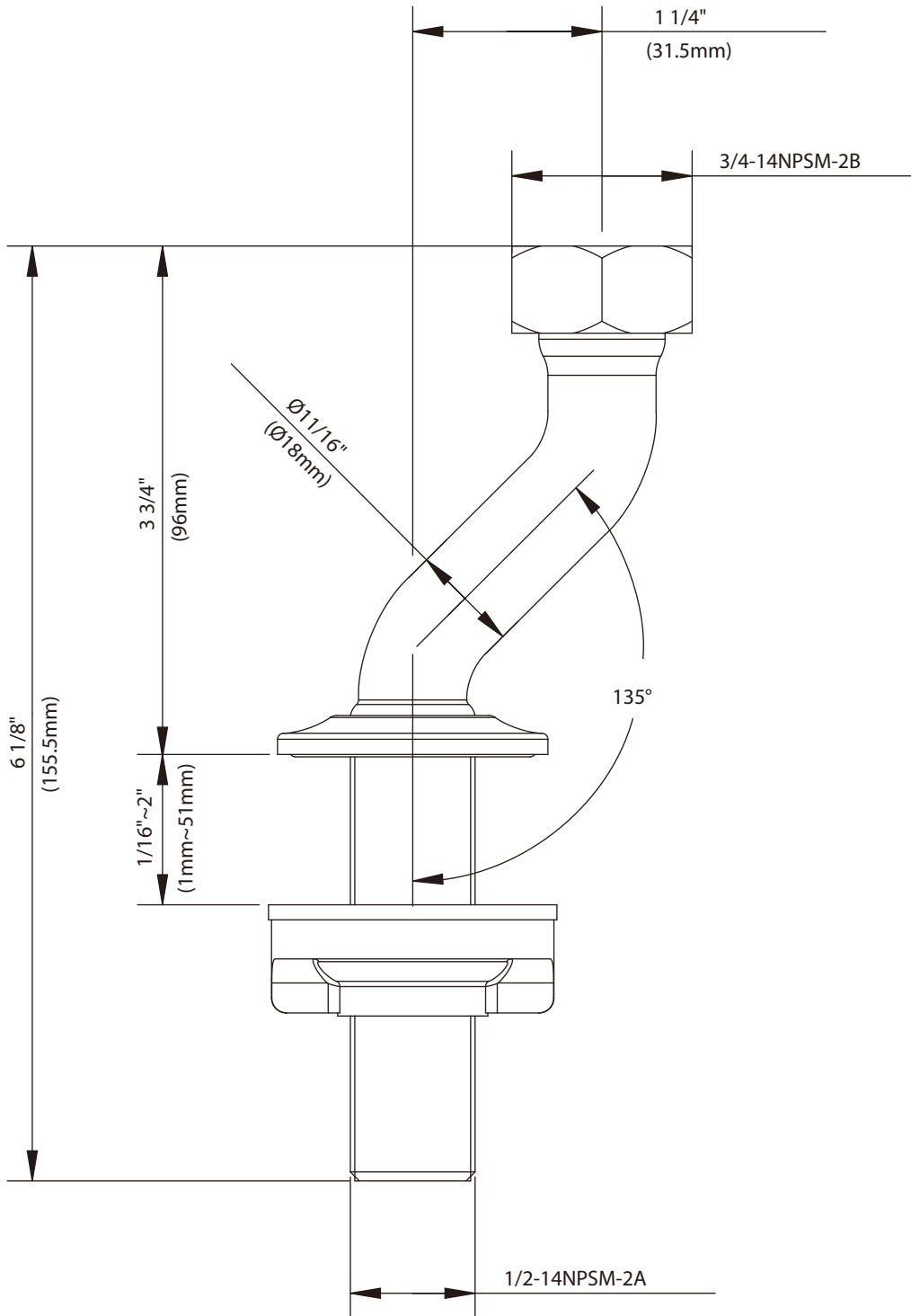
**C1-1112**

CRANKED LEGS FOR C1-4715, CW-4716, CB-4716, CW-1110  
(WL9007) & CB-1110 (BL9007)

**DIMENSIONAL DATA SHEET**

DATE: 19 August 2014

No: A66G165W



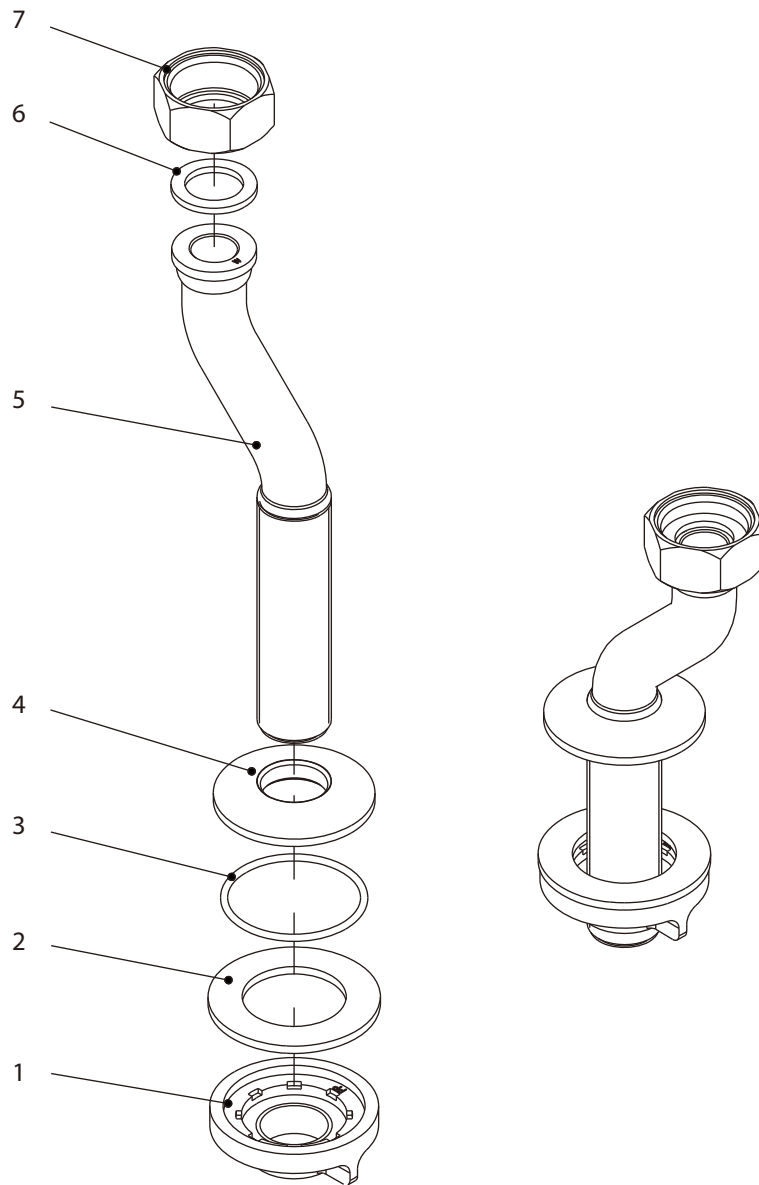
COPYRIGHT © LBIP LTD 2012. ALL RIGHTS RESERVED.

DIMENSIONS IN INCHES & MILLIMETRES

WHILST EVERY EFFORT IS MADE TO ENSURE THE ACCURACY OF THESE DATA SHEETS THEY ARE SUBJECT TO CHANGE WITHOUT NOTICE AS PART OF THE COMPANY'S PRODUCT DEVELOPMENT PROCESS

# C1-1112

CRANKED LEGS FOR C1-4715, CW-4716, CB-4716, CW-1110 (WL9007) & CB-1110 (BL9007)



- 1 Nut (009007)
- 2 Washer (013630)
- 3 O-ring (004650N)

- 4 Escutcheon (071448)
- 5 Cranked legs (014904W)
- 6 Oil-seal (010060N)

- 7 Nut (009078)

## Standards

Meets A112.18.1

Please note :

Final achievable flow rate is dependent on the outlets fitted, see relevant outlets (spouts, roses, sprays) for fully assembled product flow rate.