



LEFROY BROOKS

1 8 2 8 T R O U T M A N S T R E E T
R I D G E W O O D N E W Y O R K N Y 1 1 3 8 5 U S A
T : + 1 (7 1 8) 3 0 2 5 2 9 2 F : + 1 (7 1 8) 3 0 2 4 1 7 7

C1-1110 (LB9007)

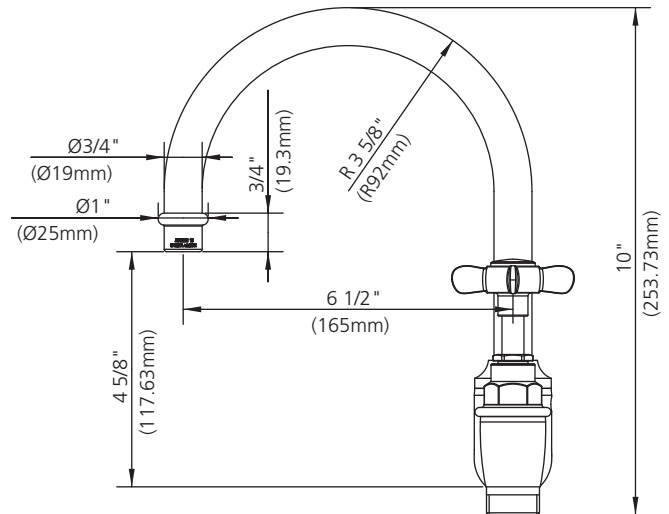
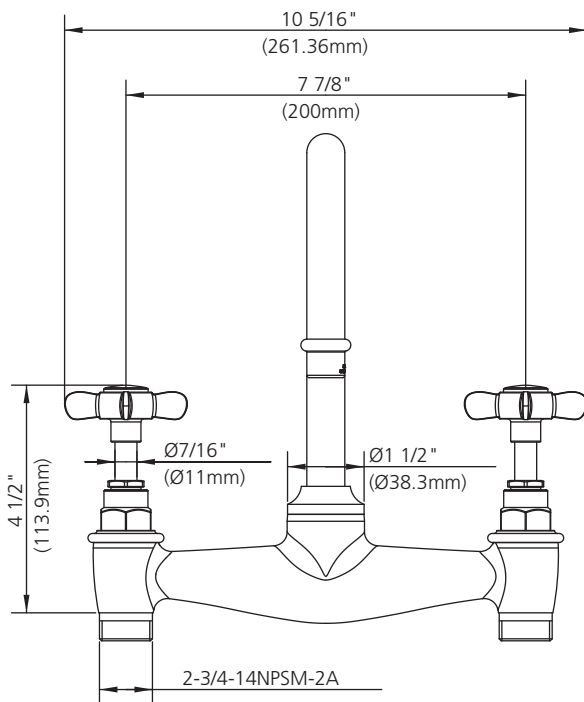
CROSS HANDLE BASIN BRIDGE MIXER WITH 6 1/2" SPOUT

DIMENSIONAL DATA SHEET

DATE: 2 January 2012

No: A66F211W

©COPYRIGHT 2009, CHRISTO LEFROY BROOKS. ALL RIGHTS RESERVED.

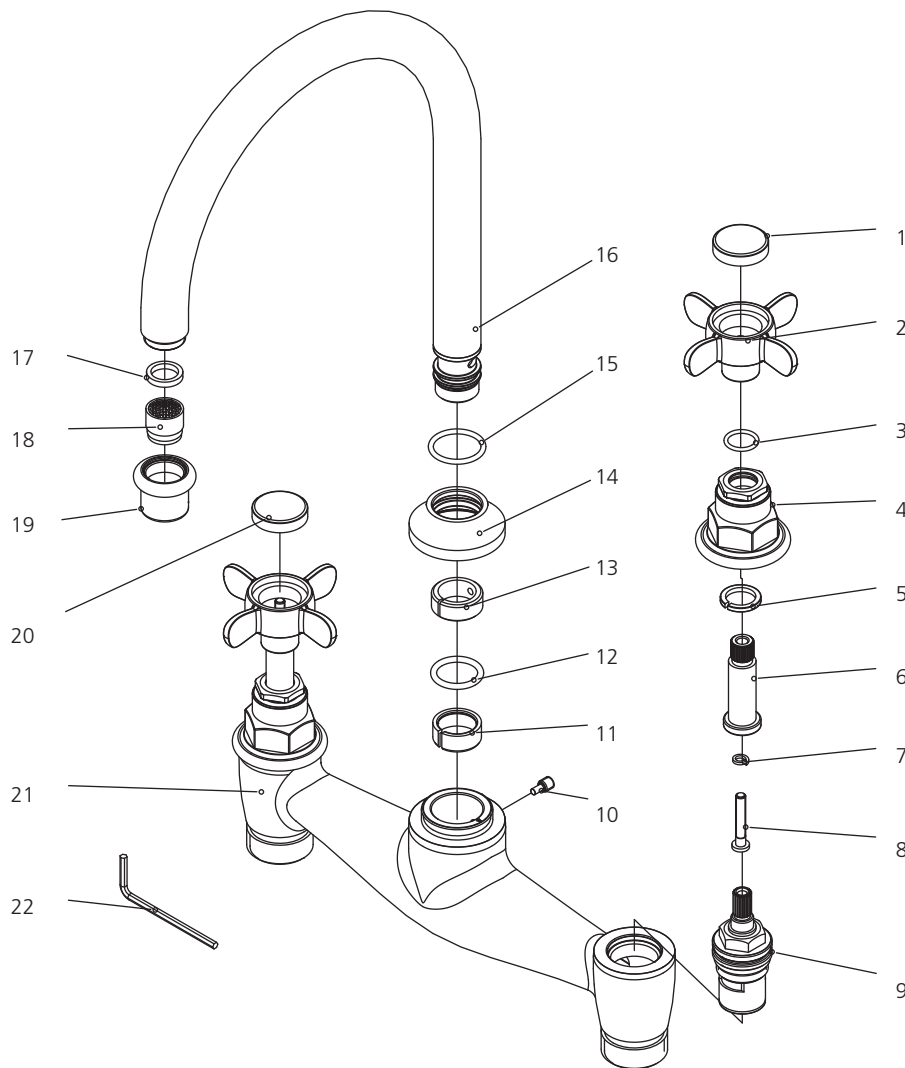


DIMENSIONS IN INCHES & MILLIMETRES

WHILST EVERY EFFORT IS MADE TO ENSURE THE ACCURACY OF THESE DATA SHEETS THEY ARE SUBJECT TO CHANGE WITHOUT NOTICE AS PART OF THE COMPANY'S PRODUCT DEVELOPMENT PROCESS

C1-1110 (LB9007)

CROSS HANDLE BASIN BRIDGE MIXER WITH 6 1/2" SPOUT

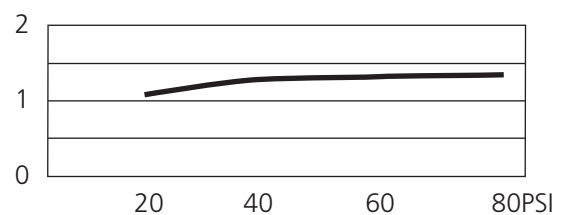


- | | | | |
|----|-------------------------------|----|-------------------------------|
| 1 | Ceramic indices (C) (129312C) | 12 | O-ring (004005N) |
| 2 | Handle (029721-T) | 13 | Clip (012060) |
| 3 | O-ring (048085N) | 14 | Adaptor (018227) |
| 4 | Canopy (018253) | 15 | O-ring (063066N) |
| 5 | Clip (012255) | 16 | Spout assembly (139863W) |
| 6 | Stem extension (110461) | 17 | Oil-seal (010519N) |
| 7 | Washer (013570) | 18 | Aerator insert (553661N) |
| 8 | Screw (008670) | 19 | Aerator housing (305849N-54) |
| 9 | Cartridge (507907W) | 20 | Ceramic indices (H) (129312H) |
| 10 | Screw (008252) | 21 | Body (002678W) |
| 11 | Clip (012112N) | 22 | Allen key (031000) |

Standards

IAPMO/cUPC Listed
Meets NSF 61-9
Meets A112.18.1

Flow Rate



Please note :

Final achievable flow rate is dependent on the outlets fitted, see relevant outlets (spouts, roses, sprays) for fully assembled product flow rate.