



**LEFROY BROOKS**

1 8 2 8 T R O U T M A N S T R E E T  
R I D G E W O O D N E W Y O R K N Y 1 1 3 8 5 U S A  
T: +1(718) 302 5292 F: +1(718) 302 4177

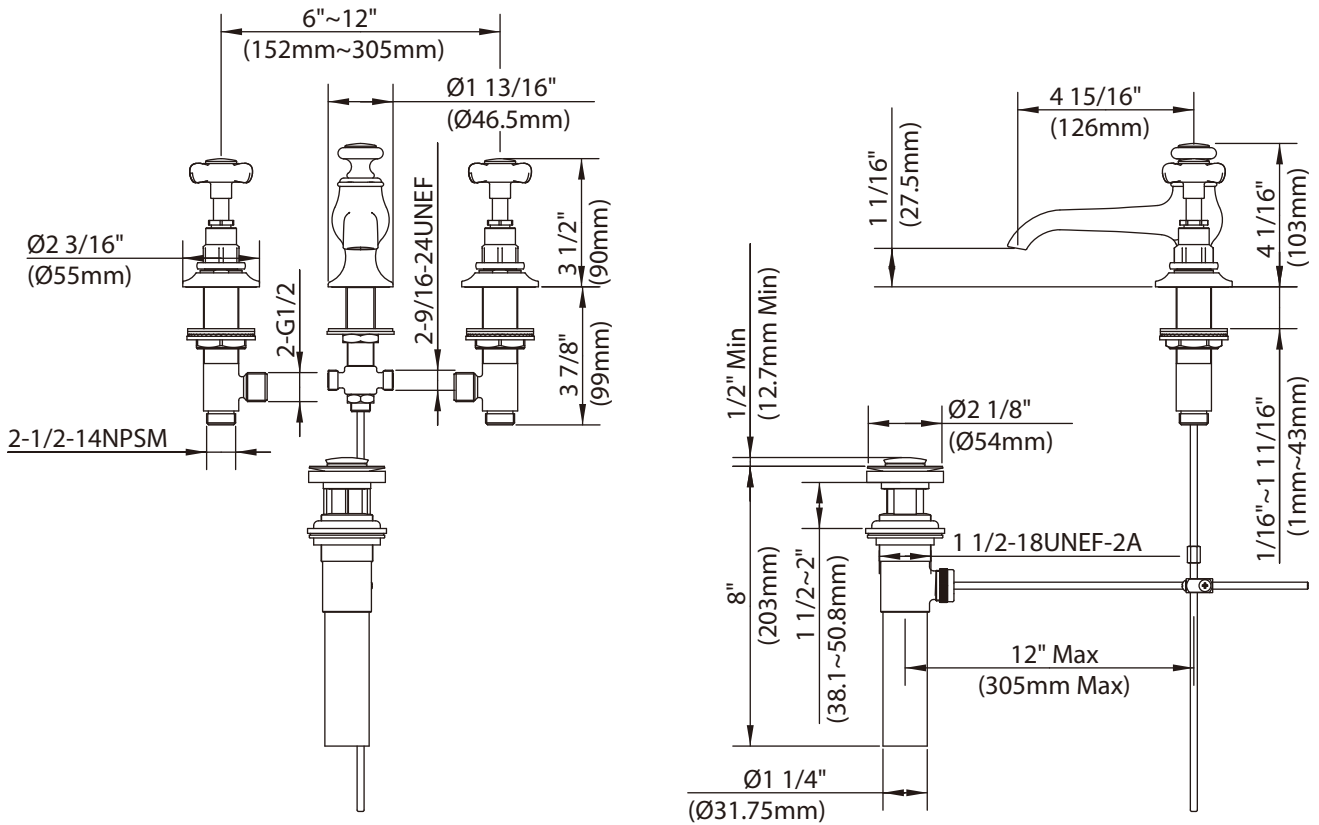
### C1-1104 (LB1224)

CROSS HANDLE CONNAUGHT 3-HOLE BASIN MIXER WITH POP-UP WASTE

#### DIMENSIONAL DATA SHEET

DATE: 16 November 2012

No: FW2BC100



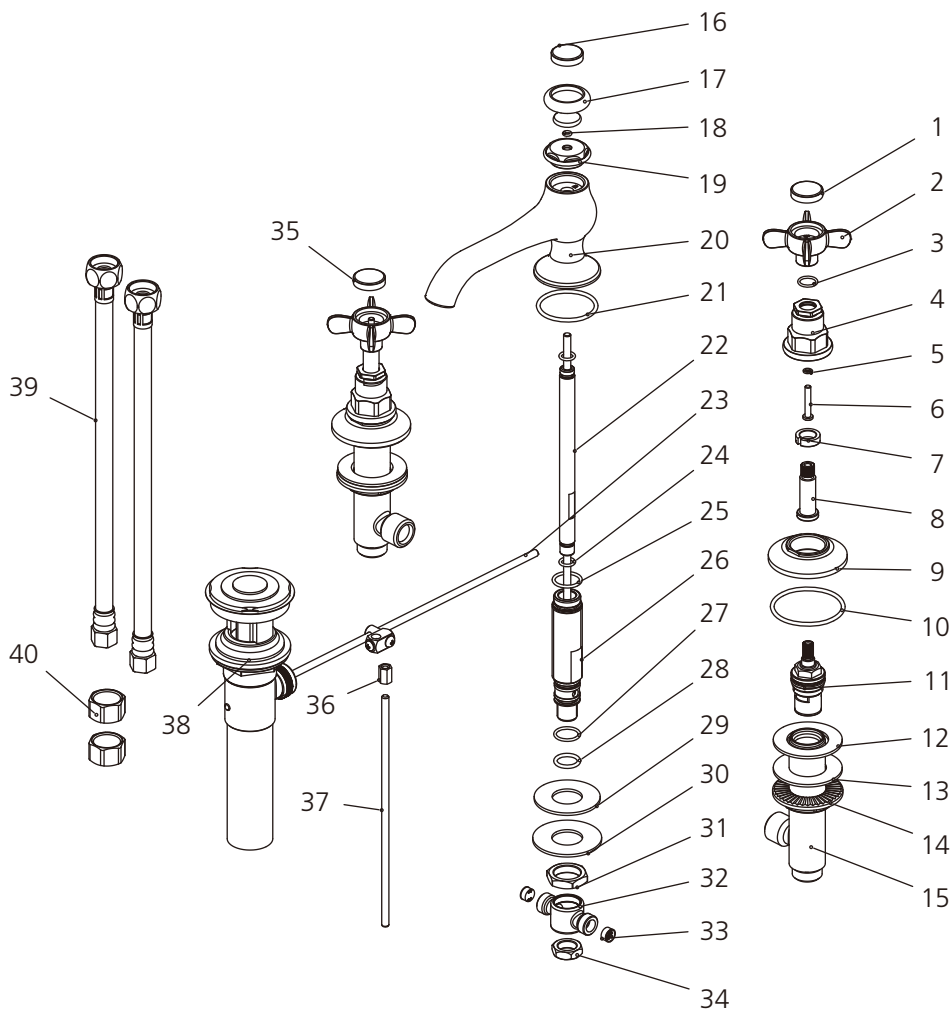
COPYRIGHT © LBIP LTD 2012. ALL RIGHTS RESERVED.

DIMENSIONS IN INCHES & MILLIMETRES

WHILST EVERY EFFORT IS MADE TO ENSURE THE ACCURACY OF THESE DATA SHEETS THEY ARE SUBJECT TO CHANGE WITHOUT NOTICE AS PART OF THE COMPANY'S PRODUCT DEVELOPMENT PROCESS

# C1-1104 (LB1224)

CROSS HANDLE CONNAUGHT 3-HOLE BASIN MIXER WITH POP-UP WASTE

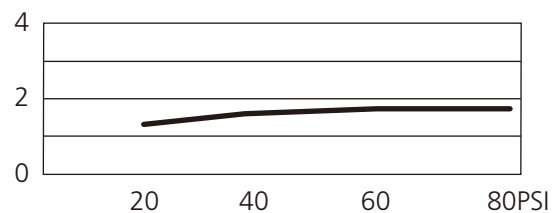


1	Ceramic cap ( C ) (129312C)	15	Side body (061893W)	29	Washer (060041)
2	Cross handle (029721-T)	16	Ceramic cap (129312-50)	30	Washer (013202)
3	O-ring (048085)	17	Pop-up knob (124408)	31	Nut (009009)
4	Canopy (018220)	18	O-ring (072069)	32	Connector (015001W)
5	Washer (013570)	19	Adaptor (039154)	33	Flow restrictor (519233N)
6	Screw (008670)	20	Spout (118012W-55)	34	Nut (009002)
7	Clip (012242)	21	O-ring (048036)	35	Ceramic cap ( H ) (129312H)
8	Stem extension (110461)	22	Steel tube (043101)	36	Adaptor (077125)
9	Escutcheon (215486)	23	Pop-up rod (125063)	37	Pop-up rod (110041)
10	O-ring (004627)	24	O-ring (004001N)	38	Pop-up sub-assembly (556781)
11	Cartridge assembly ( H ) (507907W)	25	O-ring (004043N)	39	Flexible hose (105750W)
12	Oil-seal (010017)	26	Connecting body (014016W)	40	Coupling nut (504003)
13	Washer (013158)	27	O-ring (004115N)		
14	Nut (009834)	28	O-ring (004005N)		

## Standards

IAPMO/cUPC Listed  
Meets NSF 61-9  
Meets A112.18.1

## Flow Rate



Please note :

Final achievable flow rate is dependent on the outlets fitted, see relevant outlets (spouts, roses, sprays) for fully assembled product flow rate.