



LEFROY BROOKS

1 8 2 8 T R O U T M A N S T R E E T  
R I D G E W O O D N E W Y O R K N Y 1 1 3 8 5 U S A  
T : + 1 ( 7 1 8 ) 3 0 2 5 2 9 2 F : + 1 ( 7 1 8 ) 3 0 2 4 1 7 7

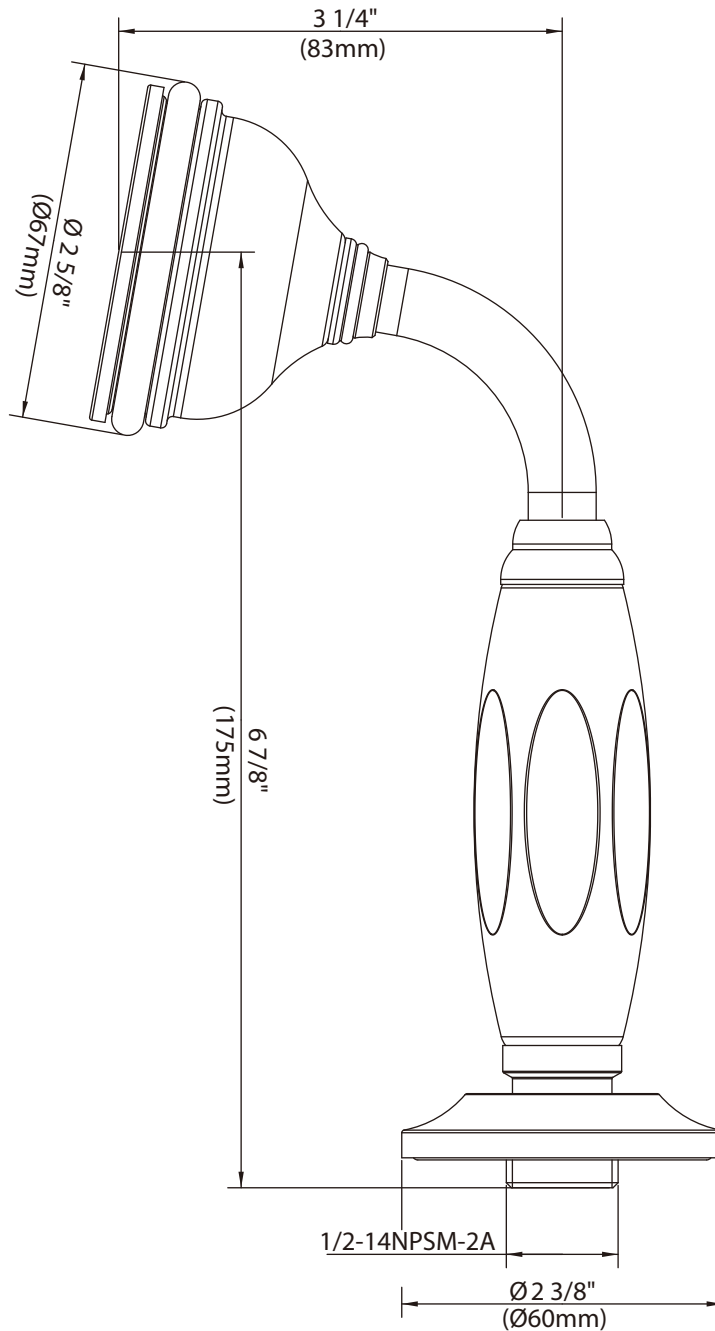
C1-1022

METAL-FINISH HANDLE 2 1/2" APRON ROSE HAND SHOWER WITH  
DECK HOLSTER TRIM ONLY, TO SUIT R1-4026 ROUGH

DIMENSIONAL DATA SHEET

DATE: 03 January 2013

No: S2116300



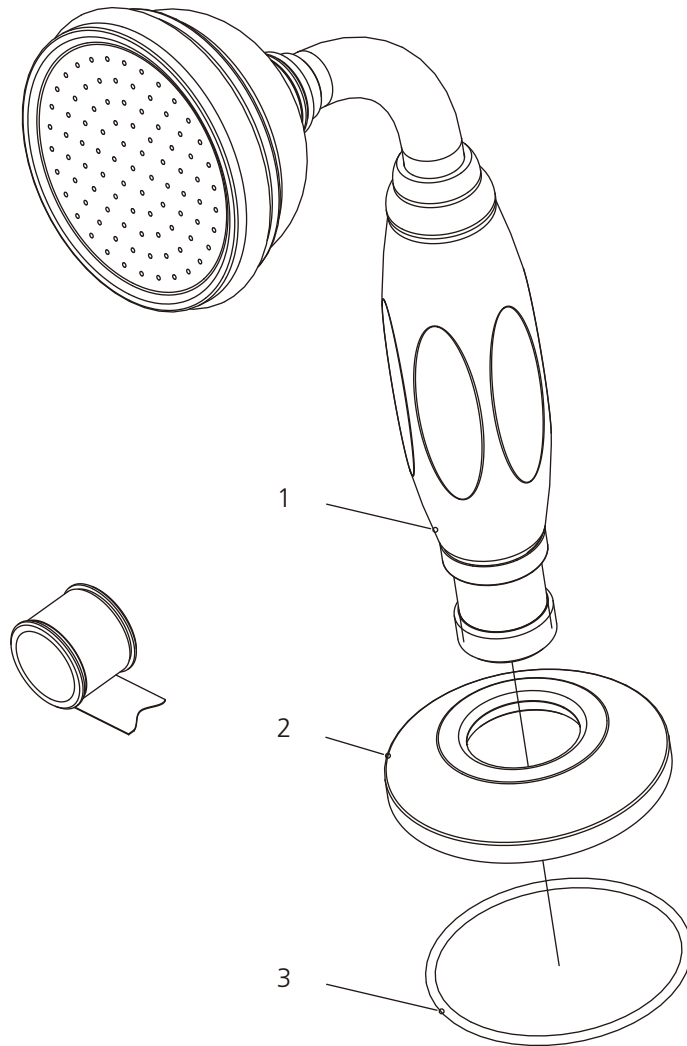
COPYRIGHT © LBIP LTD 2012. ALL RIGHTS RESERVED.

DIMENSIONS IN INCHES & MILLIMETRES

WHILST EVERY EFFORT IS MADE TO ENSURE THE ACCURACY OF THESE DATA SHEETS THEY ARE SUBJECT TO CHANGE WITHOUT NOTICE AS PART OF THE COMPANY'S PRODUCT DEVELOPMENT PROCESS

# C1-1022

METAL-FINISH HANDLE 2 1/2" APRON ROSE HAND SHOWER WITH DECK HOLSTER TRIM ONLY, TO SUIT R1-4026 ROUGH

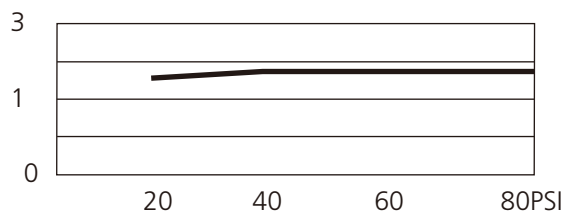


- 1 Hand shower (S2110311)
- 2 Escutcheon (071433)
- 3 O-ring (004640N)

## Standards

Meets A112.18.1

## Flow Rate



Please note :  
Final achievable flow rate is dependent on the outlets fitted, see relevant outlets (spouts, roses, sprays) for fully assembled product flow rate.