



LEFROY BROOKS

IBROC HOUSE ESSEX ROAD
HODDESDON HERTS EN11 0QS UK
T: +44 (0)1992 708 316 F: +44 (0)1992 708 317

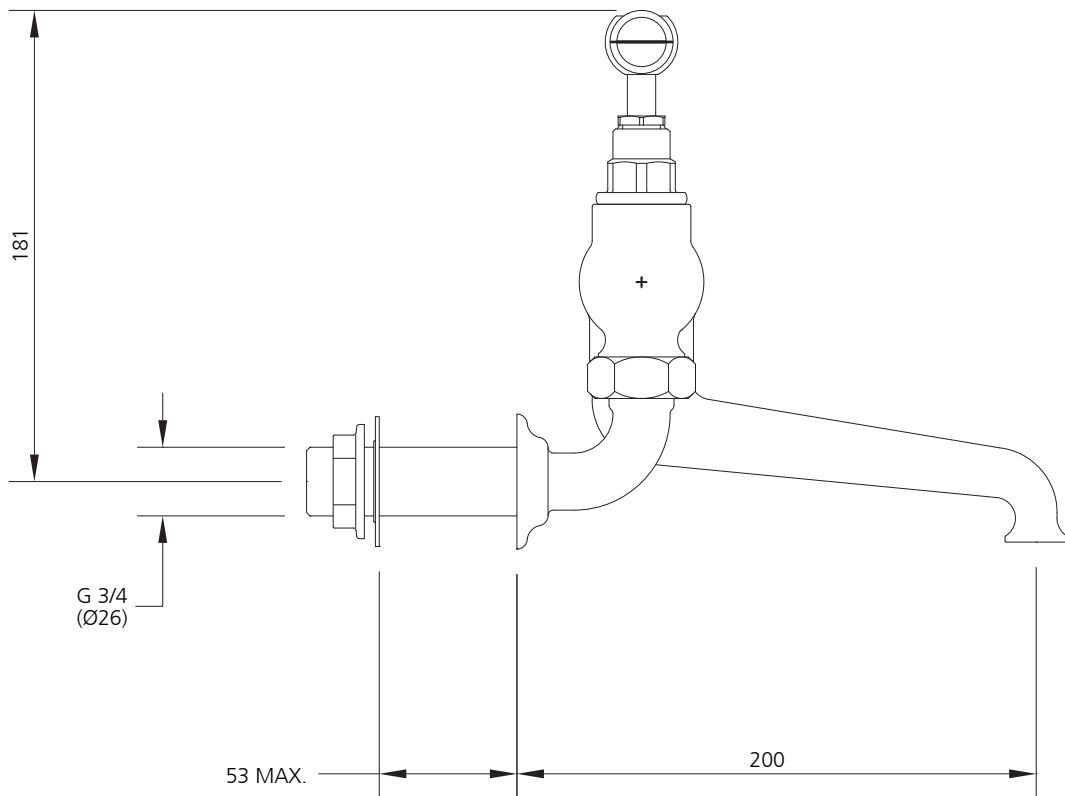
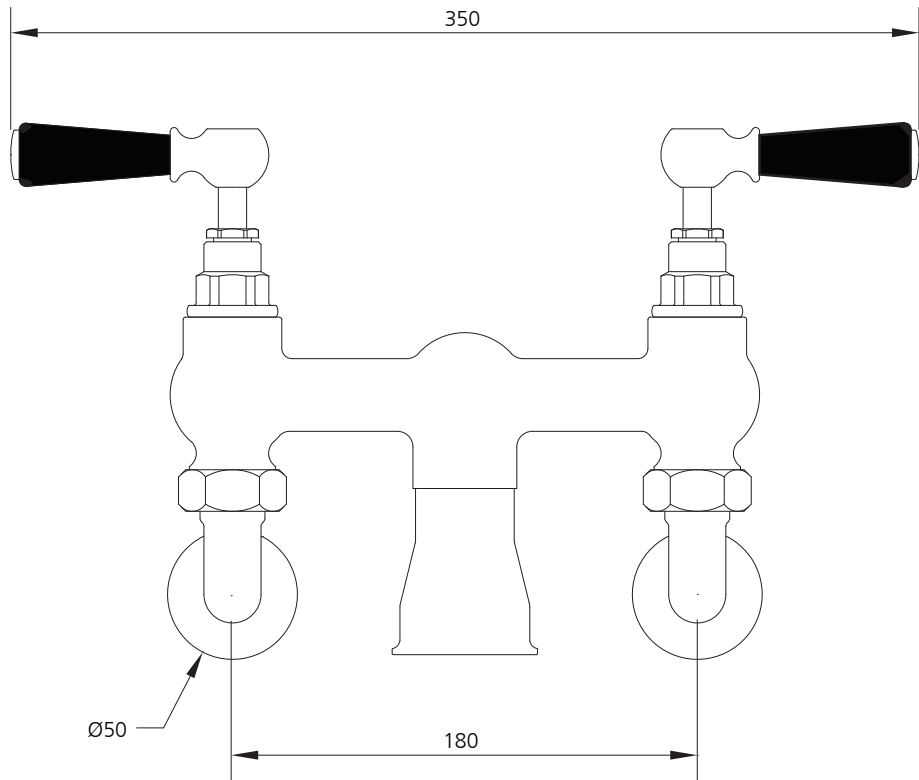
BL-1151

CLASSIC WALL MOUNTED BATH FILLER (3/4")
WITH BLACK LEVERS

DIMENSIONAL DATA SHEET

DATE: 18 May 2010

ISSUE: 018 A



DIMENSIONS IN MILLIMETRES

©COPYRIGHT 2010. CHRISTO LEFROY BROOKS. ALL RIGHTS RESERVED.