



# LEFROY BROOKS

1 8 2 8 T R O U T M A N S T R E E T  
R I D G E W O O D N E W Y O R K N Y 1 1 3 8 5 U S A  
T : + 1 ( 7 1 8 ) 3 0 2 5 2 9 2 F : + 1 ( 7 1 8 ) 3 0 2 4 1 7 7

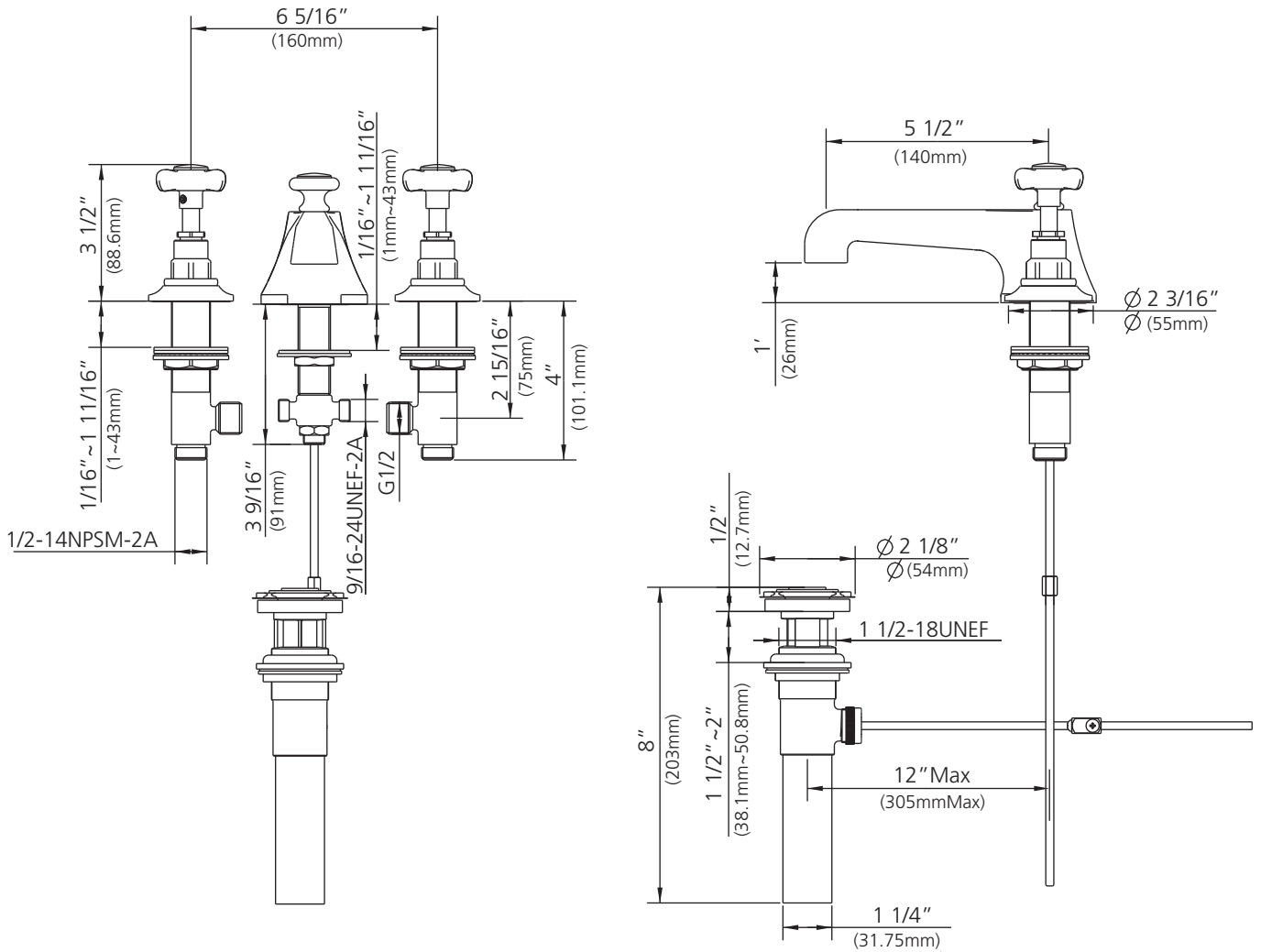
## C1-1103 (LB1228)

CROSS HANDLE MACKINTOSH 3-HOLE BASIN MIXER WITH POP-UP  
WASTE

### DIMENSIONAL DATA SHEET

DATE: 06 July 2012

No: FW1BC100



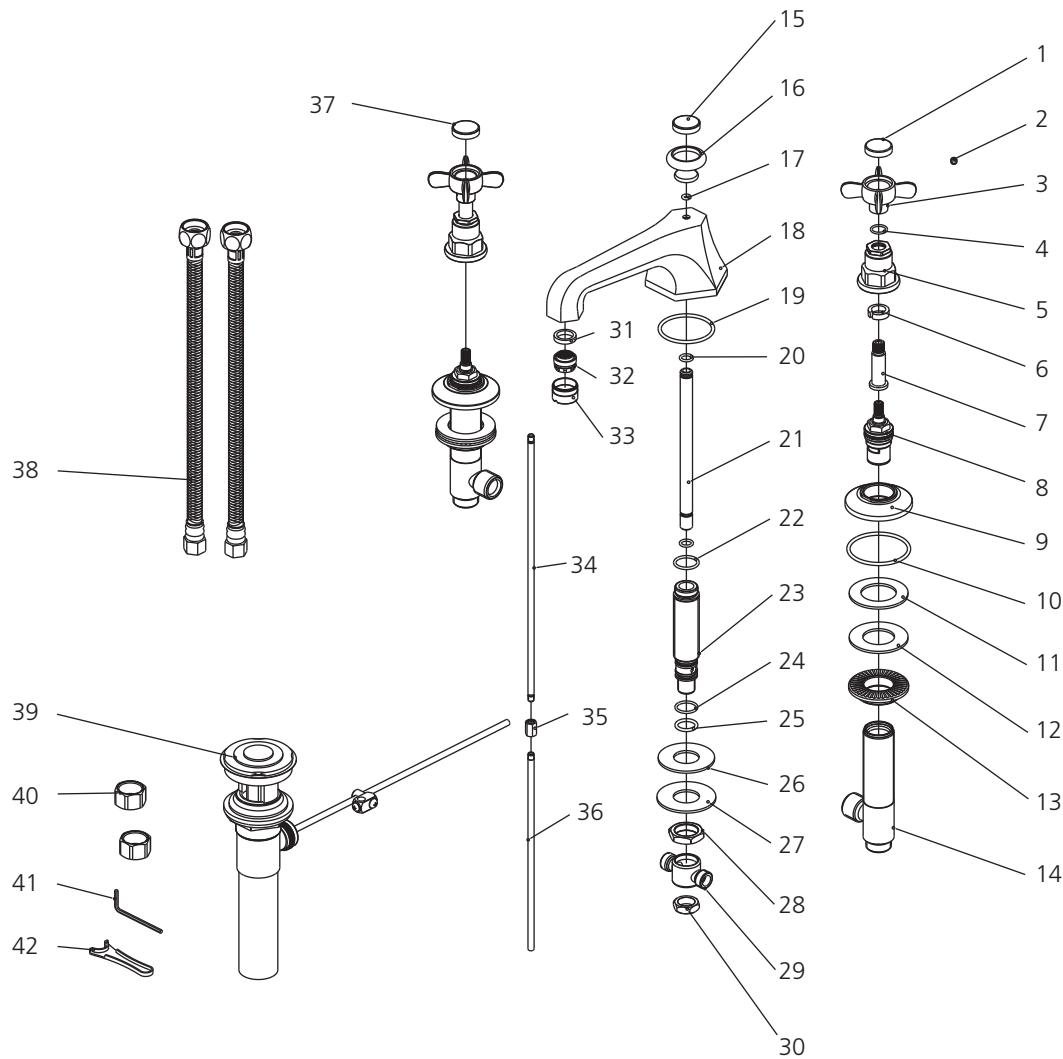
COPYRIGHT © LBIP LTD 2012. ALL RIGHTS RESERVED.

DIMENSIONS IN INCHES & MILLIMETRES

WHILST EVERY EFFORT IS MADE TO ENSURE THE ACCURACY OF THESE DATA SHEETS THEY ARE SUBJECT TO CHANGE WITHOUT NOTICE AS PART OF THE COMPANY'S PRODUCT DEVELOPMENT PROCESS

# C1-1103 (LB1228)

CROSS HANDLE MACKINTOSH 3-HOLE BASIN MIXER WITH POP-UP WASTE

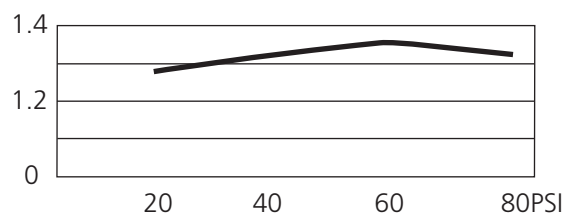


1	Ceramic cap (129312C)	15	Ceramic cap (129312-50)	29	Connector (015001W)
2	Set screw (292598)	16	Pop-up knob (124408)	30	Nut (009002)
3	Handle (029721)	17	O-ring (048027N)	31	Oil-seal (010095N)
4	O-ring (048085)	18	Spout (002252W)	32	Aerator insert (553648N)
5	Canopy (018220)	19	O-ring (004072N)	33	Aerator housing (305800N-50)
6	Clip (012242)	20	O-ring (004001N)	34	Pop-up rod (125412)
7	Stem extension (110461)	21	Brass tube (043412N)	35	Adaptor (077125)
8	Cartridge (507907W)	22	O-ring (004043N)	36	Pop-up rod (110041)
9	Escutcheon (215486)	23	Connection tube (014016W)	37	Ceramic cap (129312H)
10	O-ring (004627)	24	O-ring (004115N)	38	Flexible hose (105750W)
11	Oil-seal (010017)	25	O-ring (004005N)	39	Pop-up sub-assembly (556781)
12	Washer (013158)	26	Washer (060041)	40	Coupling nut (504003)
13	Nut (009834)	27	Washer (013202)	41	Allen key (031000)
14	Body (061893W)	28	Nut (009009)	42	Wrench (031025)

## Standards

IAPMO/cUPC Listed  
Meets NSF 61-9  
Meets A112.18.1

## Flow Rate



Please note :

Final achievable flow rate is dependent on the outlets fitted, see relevant outlets (spouts, roses, sprays) for fully assembled product flow rate.