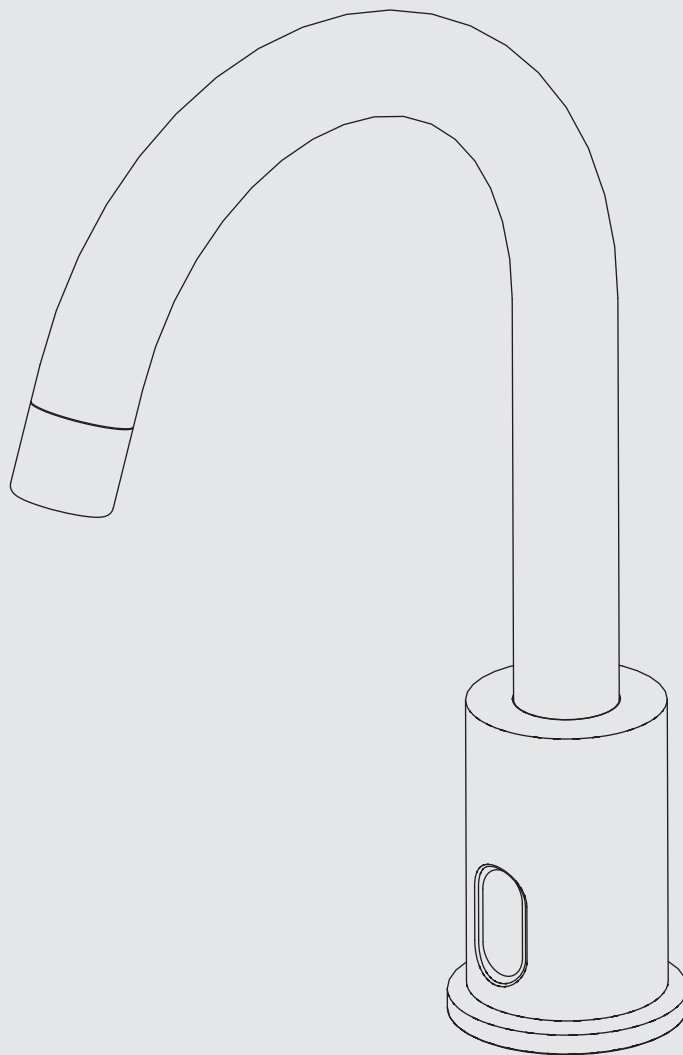




INSTALLATION, OPERATING & MAINTENANCE INSTRUCTIONS

# K1-1300

DECK HANDS-FREE ELECTRONIC BASIN FAUCET



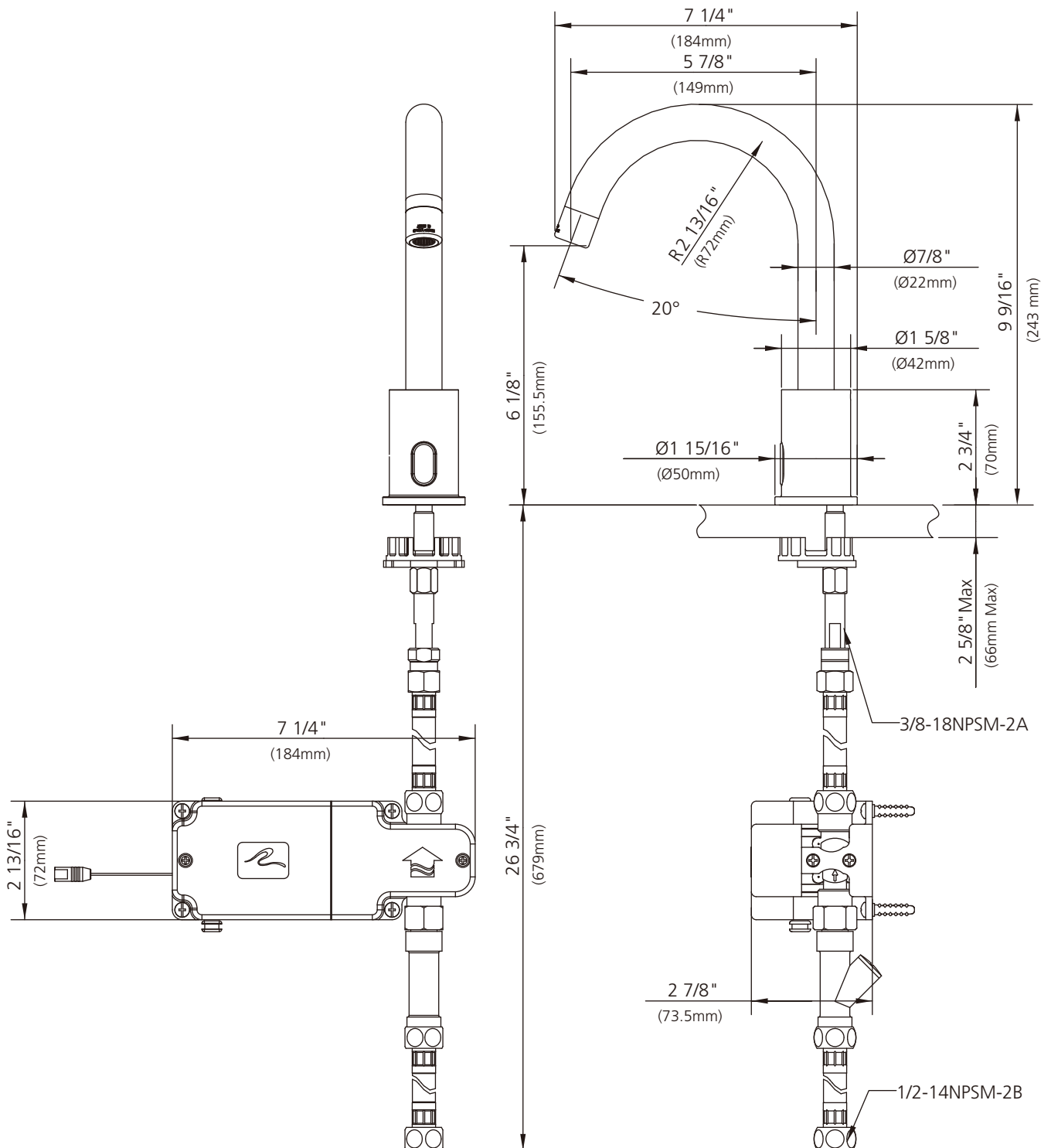
LEFROY BROOKS

# Contents

---

Dimensions .....	3
Sensor Information and Adjustment Procedure .....	4
Installation Procedure .....	5
Parts List .....	9
Fault Finder .....	10
Safety Tips, Care and Maintenance .....	11
Guarantee .....	12

# Dimensions in Inches (& Millimetres)



Whilst every effort is made to ensure accuracy, design and dimensions are subject to change without notice as part of the company's product development process.

# Sensor power on procedure

---

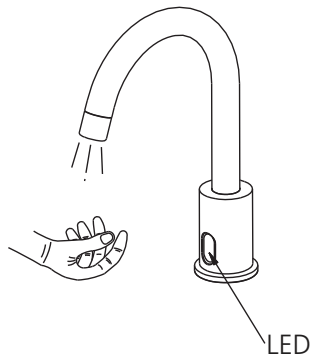
Please read this chapter carefully and make sure you understand before you start the installation.

1. The optimum detection range has been set up already. In general circumstances, you do not need to set or adjust it again.
2. Before connecting the power supply to start the sensor, you must keep the front & surrounding area of the faucet clear, to make sure there is no unexpected detection.
3. As soon as you are ready to connect the power supply (Installation step-7), please make sure the following steps are implemented by the sensor. Then afterwards you can feel confident to use the sensor smoothly and normally

6 seconds after power supply is connected

---> LED light on for another 6 seconds

---> LED light off ---> normal function.



4. In case you need to adjust the detection range for any particular circumstance, please refer to the next chapter below:

# Detection range adjustment procedure

---

Please read this chapter carefully and make sure you understand before you start the installation.

1. Firstly, implement the Sensor Power On Procedure step 1~2.
2. As soon as you are ready to connect power supply (Installation step-7), please make sure the following steps to manually set up Detection Range are implemented. Then you can feel free to use sensor smoothly and normally.

Within 6 seconds after power supply is connected, place hand firmly in the desired location in front of the sensor until the LED light comes on

--> LED light flashes 3 times

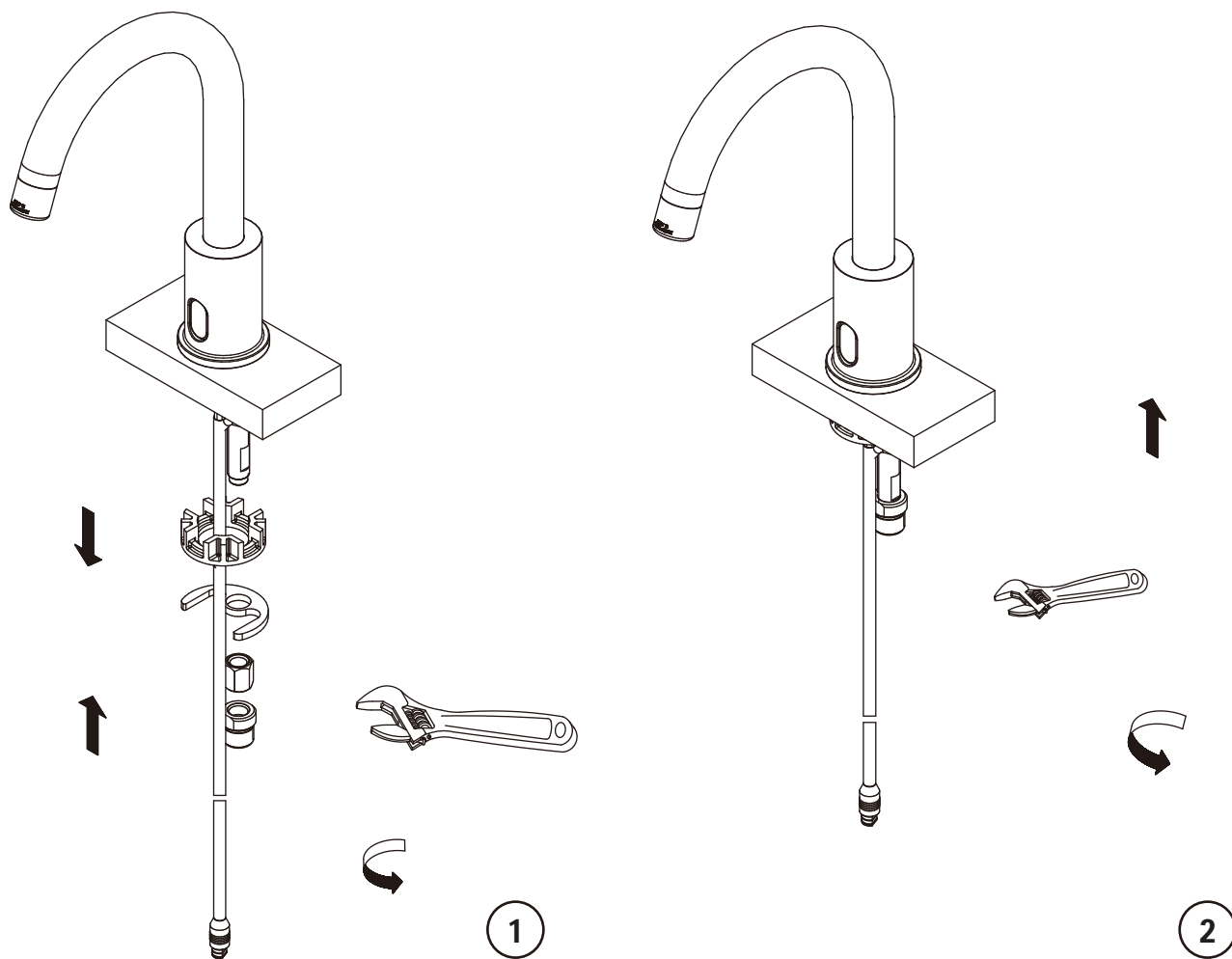
--> LED light off

--> normal function.

# Installation Procedure

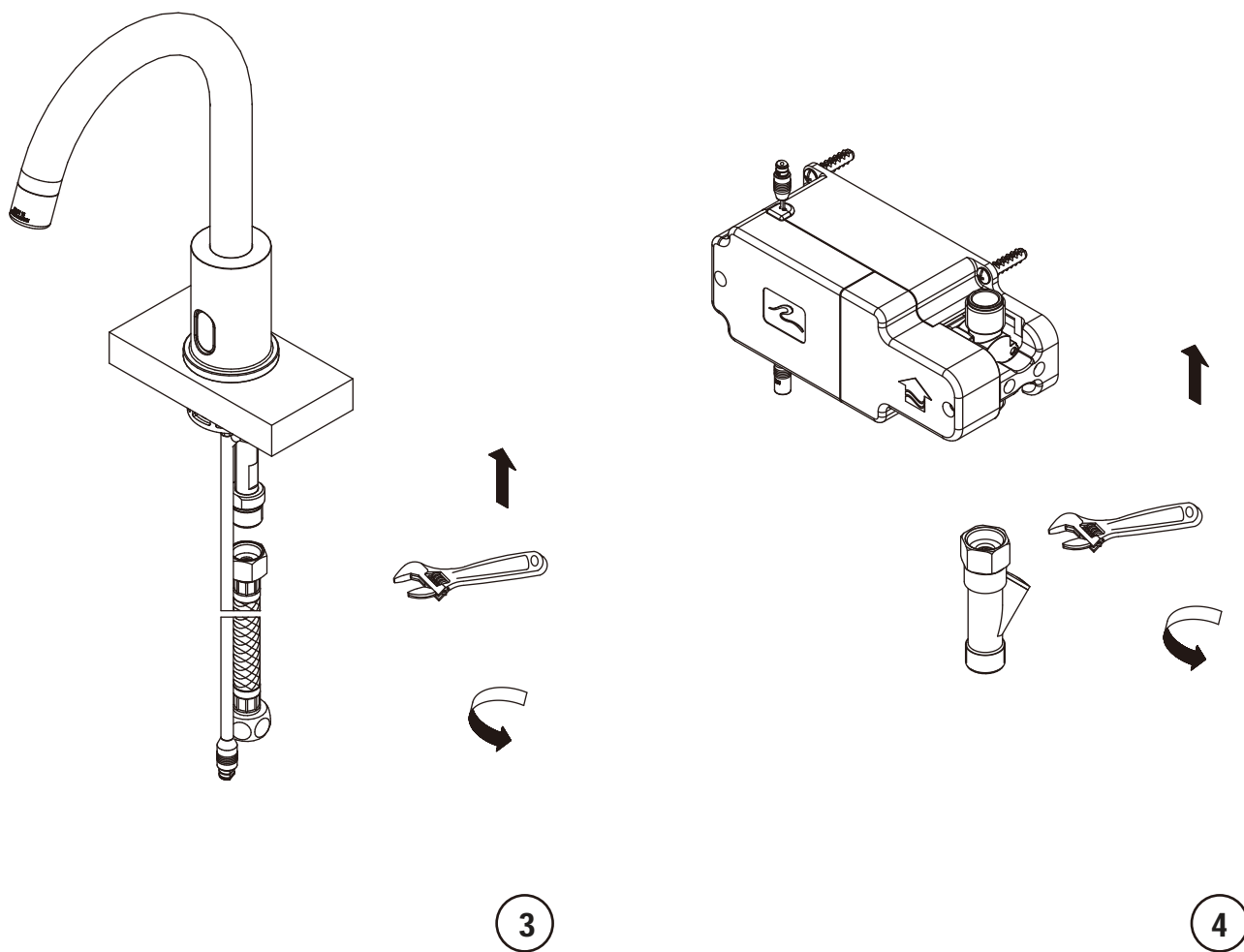
## Steps 1-2

Lefroy Brooks always recommends that plumbing products be installed by a licensed professional. Shut off main water supply before installation.



- 1 Fix the faucet to deck.
- 2 Fix the adaptor tightly to ensure sealing.

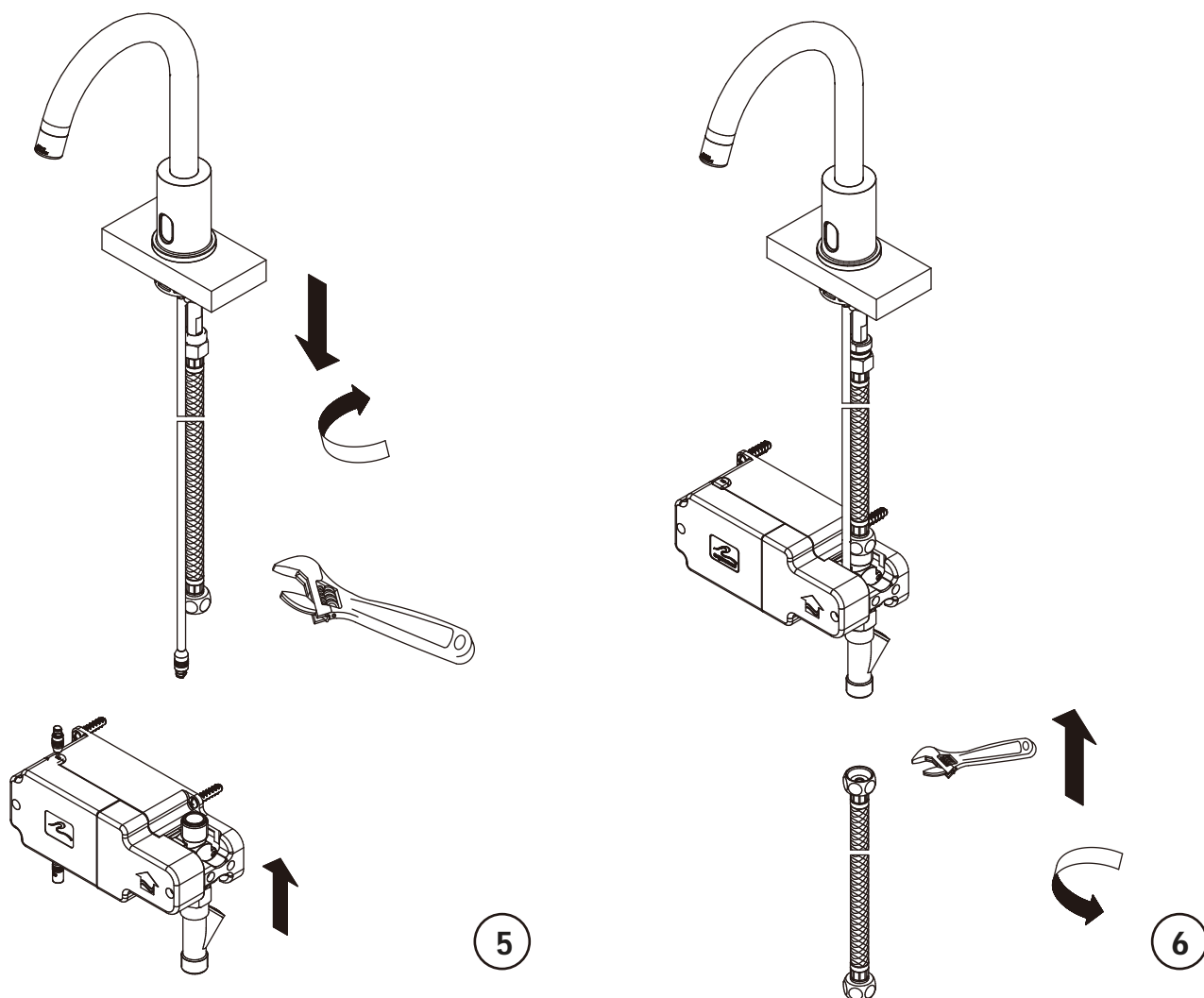
Lefroy Brooks always recommends that plumbing products be installed by a licensed professional. Shut off main water supply before installation.



**3** Connect with flexible hose.

**4** Connect brass filter to solenoid valve.

Lefroy Brooks always recommends that plumbing products be installed by a licensed professional. Shut off main water supply before installation.



**5** Connect the solenoid valve to the flexible hose.

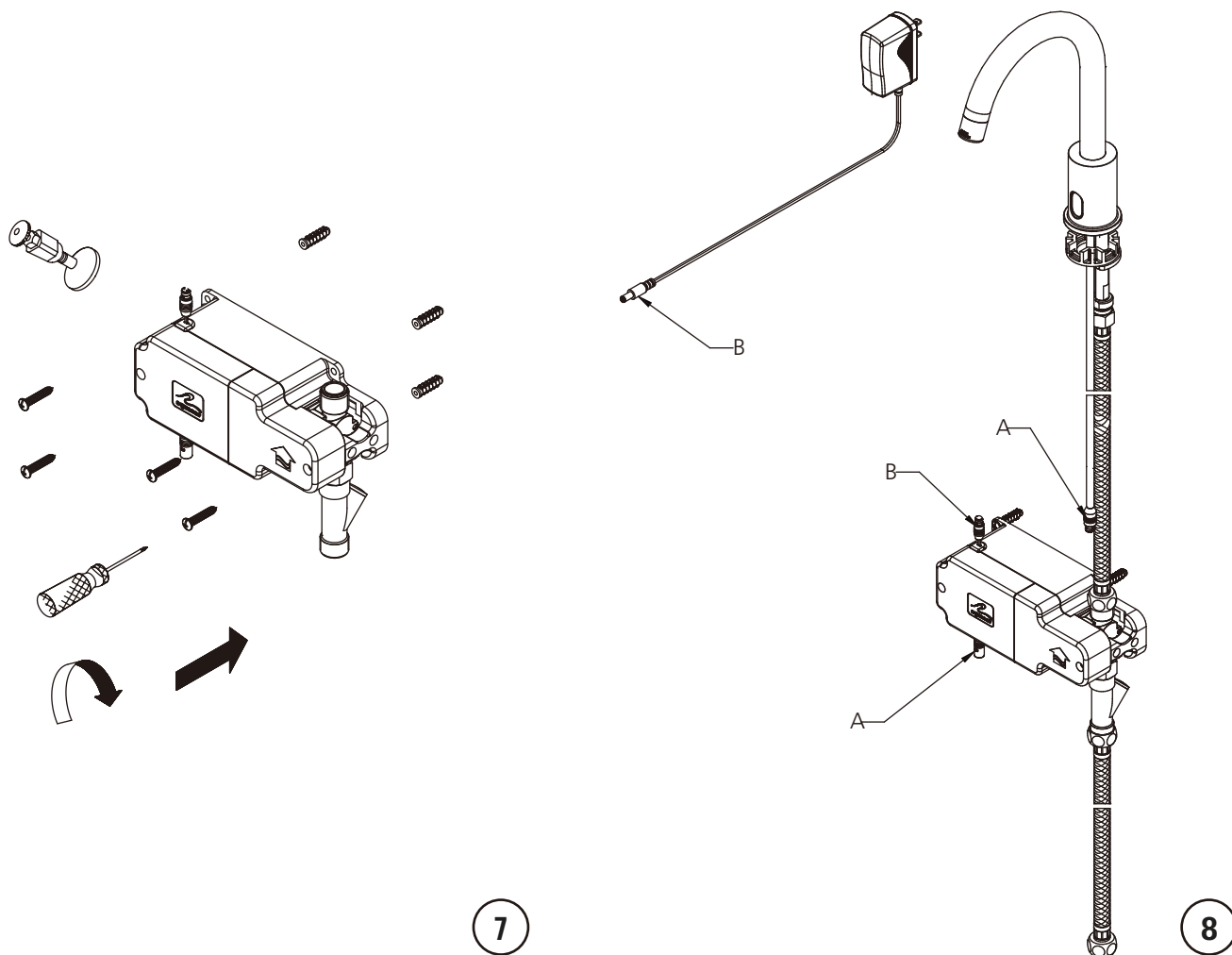
**6** Attach another flexible hose to the valve.

**Please note: this product can also be connected to a hot and cold feed, controlled by a remote mixing valve (not included).**

# Installation Procedure

## Steps 7-8

Lefroy Brooks always recommends that plumbing products be installed by a licensed professional. Shut off main water supply before installation.

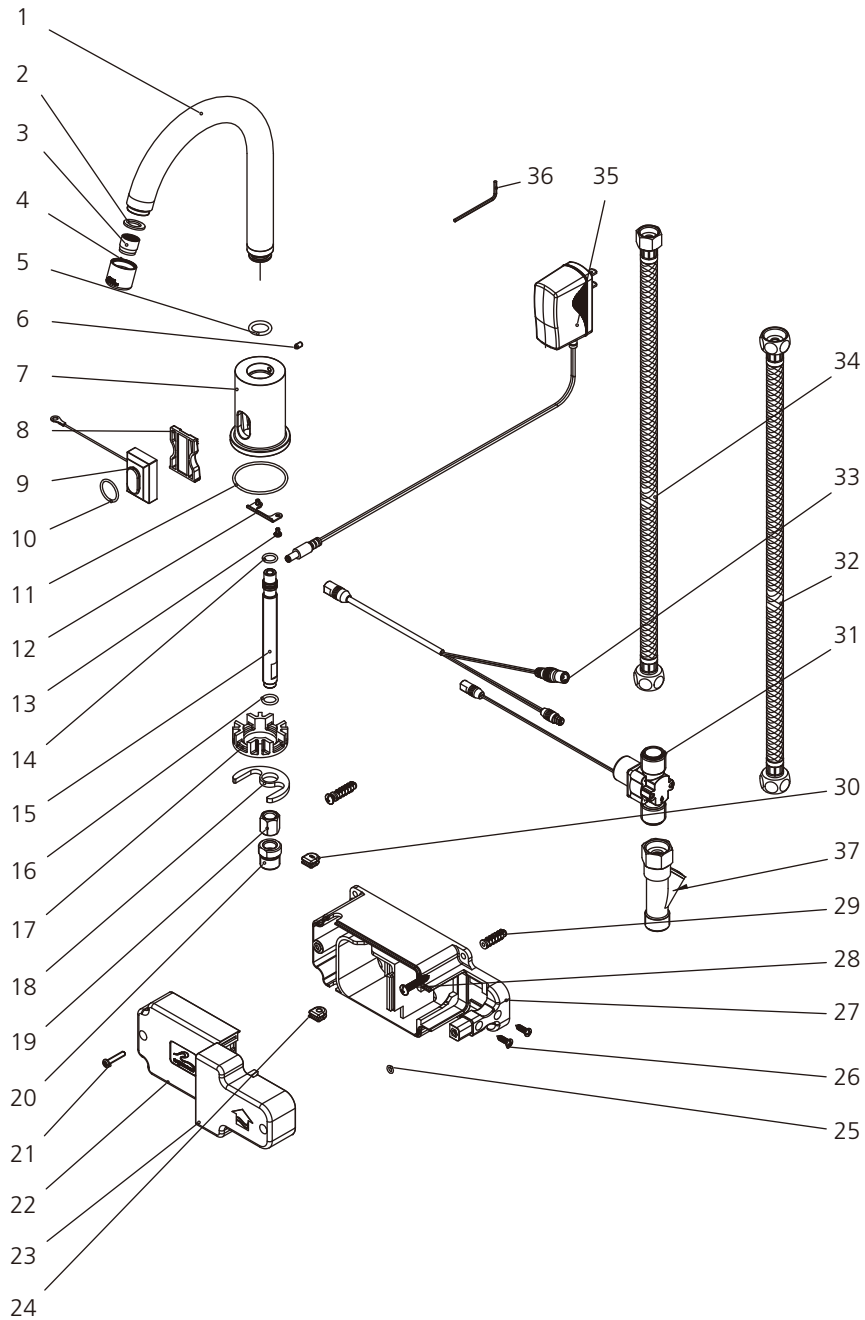


- 7** Attach the valve securely to a solid location point.
- 8** Connect the cables as shown: A connects to A; B connects to B.



# Parts List

# Exploded view



- |                                     |  |   |
|-------------------------------------|--|---|
| 1 Spout (139801W)                   | 16 O-ring (063022N)                          | 27 Screw (075095)                         |
| 2 Oil-seal (010805N)                | 17 Fixer for sensor wires (120045)           | 28 Protective box base for valve (540062) |
| 3 Aerator insert (553661N)          | 18 Washer (013973)                           | 29 Screw (053022)                         |
| 4 Aerator housing (305779N-54)      | 19 Nut (054062)                              | 30 Plastic anchor bolt (291101)           |
| 5 O-ring (063073N)                  | 20 Adaptor (067557W)                         | 31 Solenoid valve (543109)                |
| 6 Set screw (075018)                | 21 Screw (008500)                            | 32 Flexi hose (105051)                    |
| 7 Body (002635W)                    | 22 Protective box cover for battery (540064) | 33 Connection cable assembly (540373)     |
| 8 Plastic board for sensor (540508) | 23 Protective box cover for valve (540063)   | 34 Flexi hose (134065N)                   |
| 9 Sensor module (546113)            | 24 D-shape washer double hole (540378)       | 35 Plug-in adaptor (540484)               |
| 10 O-ring (004037N)                 | 25 D-shape washer single hole (080052)       | 36 Allen key (031003)                     |
| 11 O-ring (072032N)                 | 26 O-ring (004058)                           | 37 Brass filter (540093)                  |
| 12 Fixer for sensor (540509)        |  |   |
| 13 Screw (008692)                   |  |   |
| 14 O-ring (004509N)                 |  |   |
| 15 Bolt (017967W)                   |  |   |

# Fault Finder

Fault	Cause	Rectification
Aerator leaks or has an inconsistent water flow pattern.	Aerator is dirty or misfitted.	Unscrew the aerator to check rubber packing. Re-assemble the aerator.
Sensor does not respond and a red light is continuously on when the Sensor Power On Procedure is implementing.	There is some unexpected object within detection range.	Check if there is any unexpected object in the detection range and remove it, such as tools, mirror, etc.
Before power supply is connected, the water flows continuously when the water valve is turned on.	Plunger of Solenoid Valve should keep close when Sensor is not detecting. The Plunger may be accidentally opened due to becoming stuck in transportation.	See installation procedures to connect connection cable Assembly and power supply correctly. As soon as the power is connected, the Solenoid Valve will close the Plunger itself.
Sensor is connected with solenoid valve and power supply. When the water valve is turned on, the water flows continuously without object within the detection range.	The plunger of solenoid valve keeps open abnormally because it is obstructed by debris or faulty Sensor.	Firstly change a new solenoid valve. If the water still flows continuously, then change a new Sensor.
The default detection range is not desirable for your use.	The default detection range maybe not satisfied for some particular circumstance.	Please refer to the chapter – Detective Range Adjust Procedure.

# Safety Tips, Care and Maintenance

---

## Safety Tips

If you are soldering during faucet installation, remove cartridges, seats, gaskets and washers prior to applying flame, otherwise you will void the warranty.

Cover drain openings to avoid losing small parts.

When cutting or soldering pipe, use safety glasses to protect your eyes.

## Important Points

Prior to beginning installation. turn off the cold and hot water lines and open the old faucet to release built-up pressure.

Overtightening nuts may cause damage.

Wrap all threaded connections with pipe tape available at your local plumbing supply store. Always wrap in a clockwise direction. The fittings should be installed by a state-licensed plumber.

Please note:

When there is a difference in water pressure between hot and cold supplies to the mixing valve, the pressures should be equalized by a plumber in accordance with best practice and legislation.

## Maintenance

Your new bathroom faucet is designed for years of trouble-free performance. Keep it looking new by cleaning it periodically with a soft cloth. Avoid abrasive cleaners, wire wool and harsh chemicals as these will dull the finish and void your warranty.

## Routine Maintenance

The frequency and extent of attention required will vary according to prevailing site and operational conditions, however a 12 monthly maintenance schedule is recommended.

If the product has operated satisfactorily for some time, but performance has been degraded, please check the Fault Finder section to identify the problem.

## Maintenance Check List

- Worn or damaged seals and washers
- Damaged seal faces
- Thread wear
- Incorrect adjustment
- Component failure
- Debris or limescale build-up

# Guarantee

---

## Guarantee of Quality

This product is guaranteed against faulty materials and workmanship for 12 months from date of purchase. For the guarantee to be valid, the unit must be installed by a competent person, in accordance with the instruction booklet.

Any part found to be defective during the guarantee period, will (at our option) be repaired or replaced, free of charge, provided the unit has been installed, and properly used in accordance with the instruction booklet.

Our products correspond to the valid technical and water supply standards as well as the relevant approvals requirements. We guarantee them to be free of design and production faults at the time of delivery and that with correct use and care in accordance with our printed instructions they will function reliably.

## Guarantee period

- The guarantee is valid in private homes for 5 years from the purchase date. Proof of purchase has to be provided when making a guarantee claim.
- By use in commercial or institutional applications the guarantee is valid for 1 year after first use.

To make a guarantee claim, proof of purchase or, the beginning of use is required.

## Not Covered by this Guarantee

Damage or defects arising from incorrect installation, improper use or lack of maintenance.  
Installed product damaged in transit  
Consequential loss, damage or product removal and installation costs.

Lefroy Brooks is not responsible for any on site labour charges.

For additional assistance or service call

**718-302-5292**

**9am to 5pm EST Monday to Friday**



L E F R O Y B R O O K S

[www.lefroybrooks.com](http://www.lefroybrooks.com)

LEFROY BROOKS INC, 1828 TROUTMAN STREET, RIDGEWOOD, NY, 11385  
TELEPHONE: 718-302-5292. FAX: 718-302-4177

The use of trademarks, product design and artwork is subject to licence or agreement with Christo A. Lefroy Brooks. The design registrations, trademark registrations and copyrights are protected by law and the use or reproduction outside the terms of an agreement is prohibited. The right to modify designs and dimensions is reserved. Christo Lefroy Brooks is a member of ACID (Anti Copying in Design).

COPYRIGHT©LBIP LTD 2014