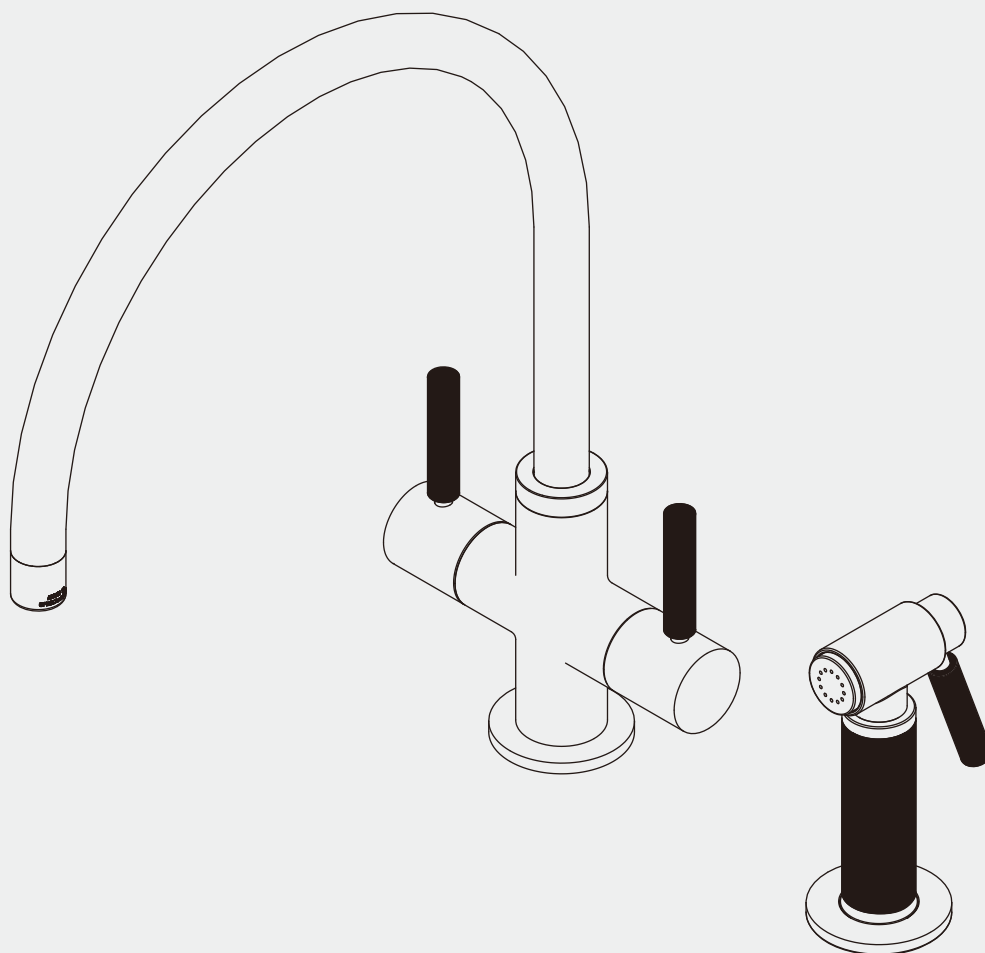


INSTALLATION INSTRUCTIONS

X1-2055

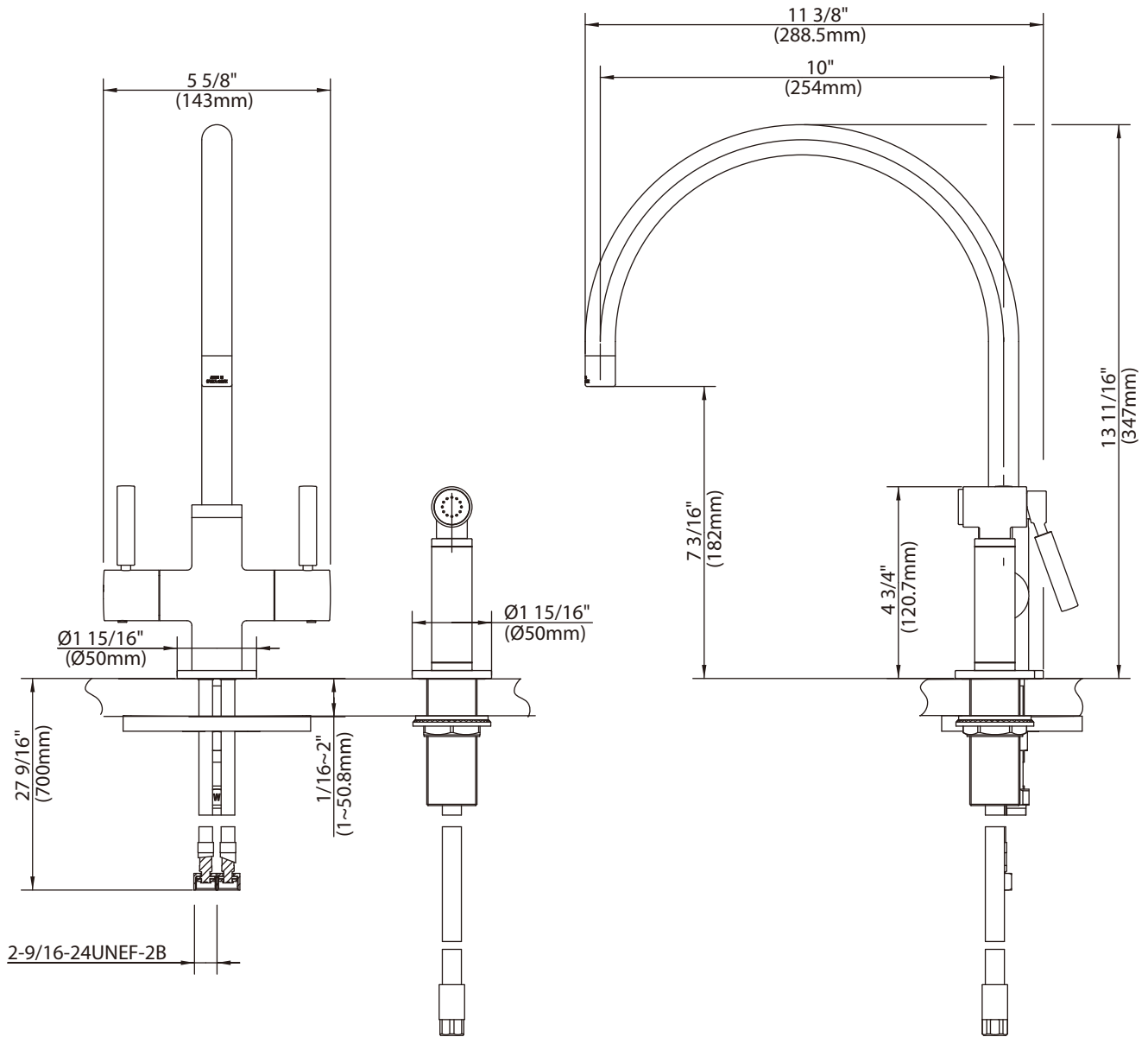
ZU KITCHEN MONO WITH PULL-OUT HANDSPRAY



LEFROY BROOKS

Dimensions

X1-2055

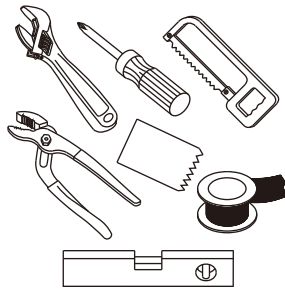


Whilst every effort is made to ensure accuracy, design and dimensions are subject to change without notice as part of the company's product development process.

What you need to know

Tools:

Adjustable Wrench
Groove Joint Pliers
Hacksaw
Phillips Screwdriver
Pipe Tape
Spatula
Spirit Level



Safety Tips

If you are soldering during faucet installation, remove cartridges, seats, gaskets and washers prior to applying flame, otherwise you will void the warranty.

Cover drain openings to avoid losing small parts.

When cutting or soldering pipe, use safety glasses to protective your eyes.

Maintenance

Your new bathroom faucet is designed for years of trouble-free performance.

Keep it looking new by cleaning it periodically with a soft cloth. Avoid abrasive cleaners, wire wool and harsh chemicals as these will dull the finish and void your warranty.

Important Points

Prior to beginning installation. turn off the cold and hot water lines and open the old faucet to release built-up pressure.

Overtightening nuts may cause damage.

Wrap all threaded connections with pipe tape available at your local plumbing supply store. Always wrap in a clockwise direction. The fittings should be installed by a state-licenced plumber.

Please note:

When there is a difference in water pressure between hot and cold supplies to the mixing valve, the pressures should by equalized by a plumber in accordance with best practice and legislation.

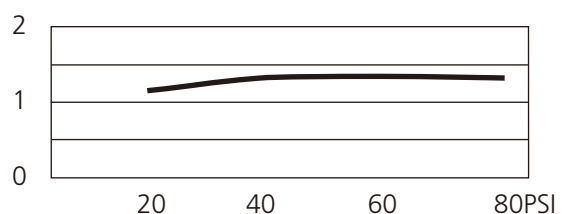
Things You May Need

Correct installation may vary depending on previous faucet installation. All necessary supplies required for faucet installation are not included, but may be found where plumbing supplies are sold. It is suggested that IAPMO and/or CSA approved plumbing supplies are used during installation.

Standards

IAPMO/cUPC Listed
Meets NSF 61-9
Meets A112.18.1

Flow Rate



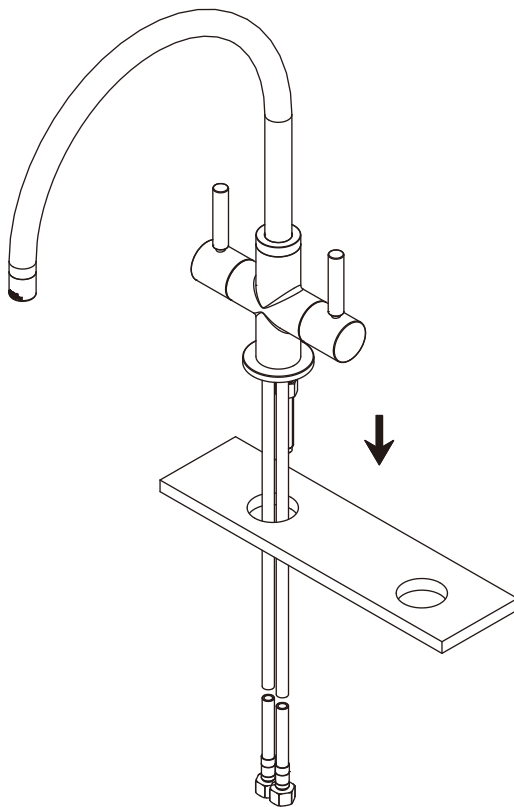
Please note :

Final achievable flow rate is dependent on the outlets fitted, see relevant outlets (spouts, roses, sprays) for fully assembled product flow rate.

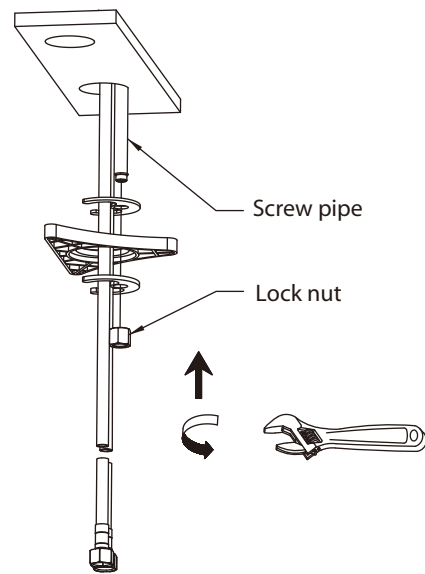
Steps 1-2

Installation Procedure

Lefroy Brooks always recommends that plumbing products be installed by a licensed professional. Shut off main water supply before installation.



1



2

1 Put base under the bottom of faucet. Install faucet through deck hole.

2 From underneath the sink, install washers and tighten with wrench.

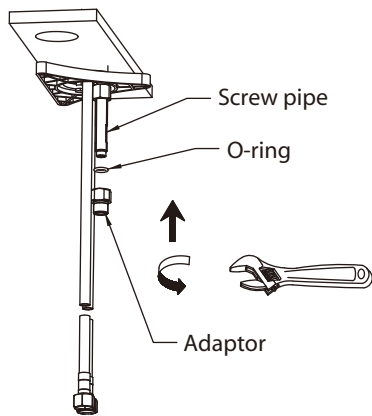
Warning! When installing flexible hose, please notice:

1. There should be no torsion or deformation.
2. Do not fold into a V or L shape.
3. Do not use if there is any crack or deformation.

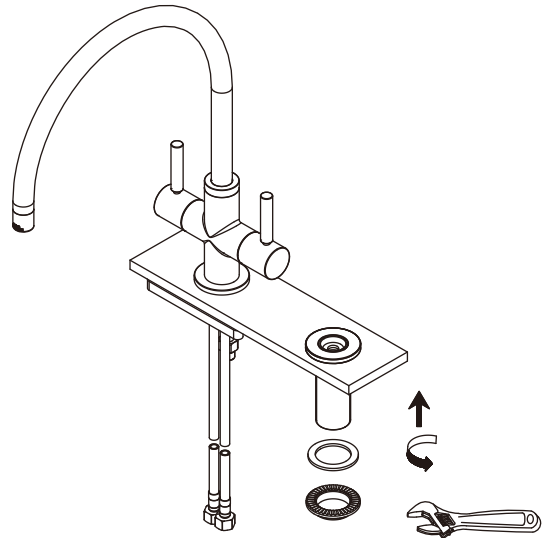
Steps 3-6

Installation Procedure

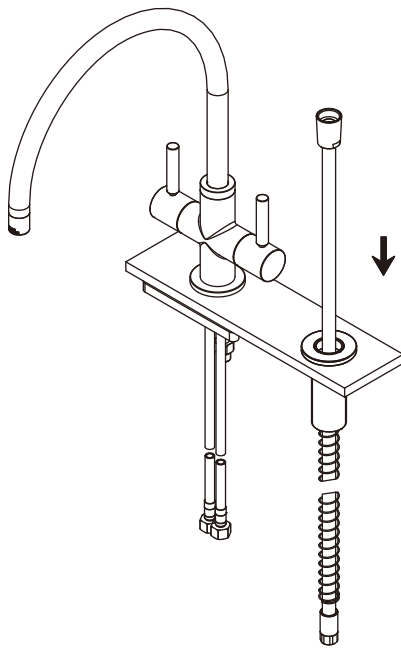
Lefroy Brooks always recommends that plumbing products be installed by a licensed professional. Shut off main water supply before installation.



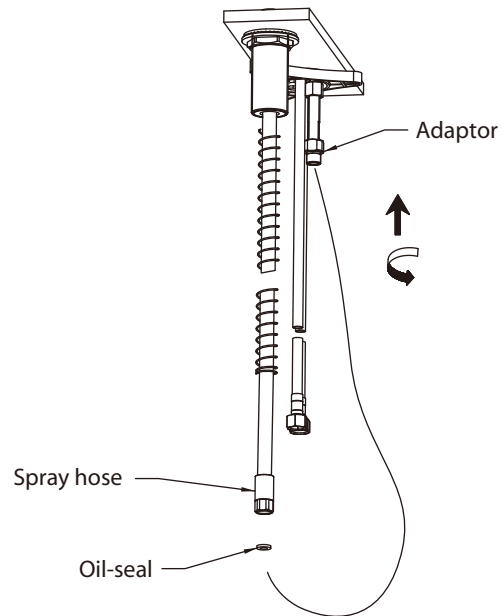
3



4



5



6

3 Tighten the adaptor to screw pipe tightly. Ensure o-ring is inserted.

4 Install spray holder in sink deck: insert the spray holder from above into the mounting hole. Tighten with lock nut.

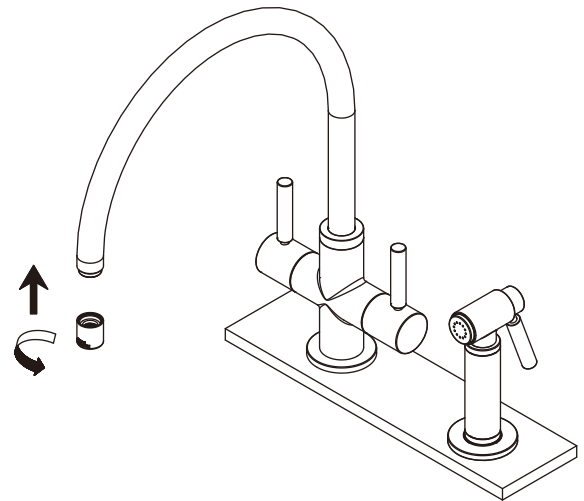
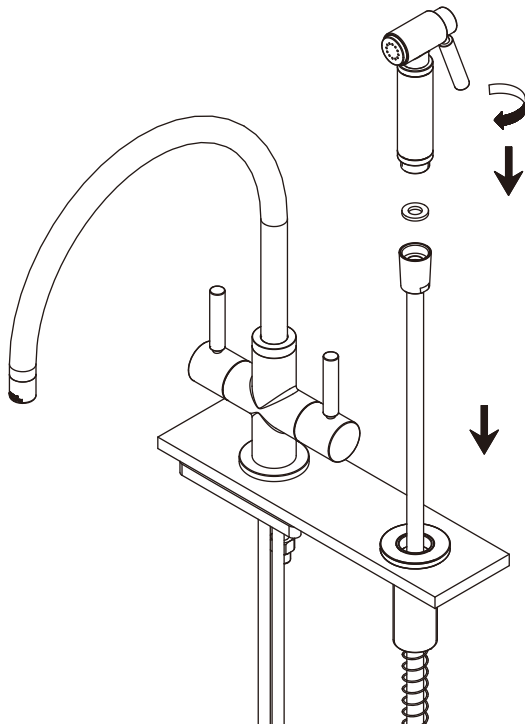
5 Insert spray hose through spray holder.

6 Attach oil-seal to the adaptor. Then connect hose to the adaptor tightly.

Steps 7-8

Installation Procedure

Lefroy Brooks always recommends that plumbing products be installed by a licensed professional. Shut off main water supply before installation.



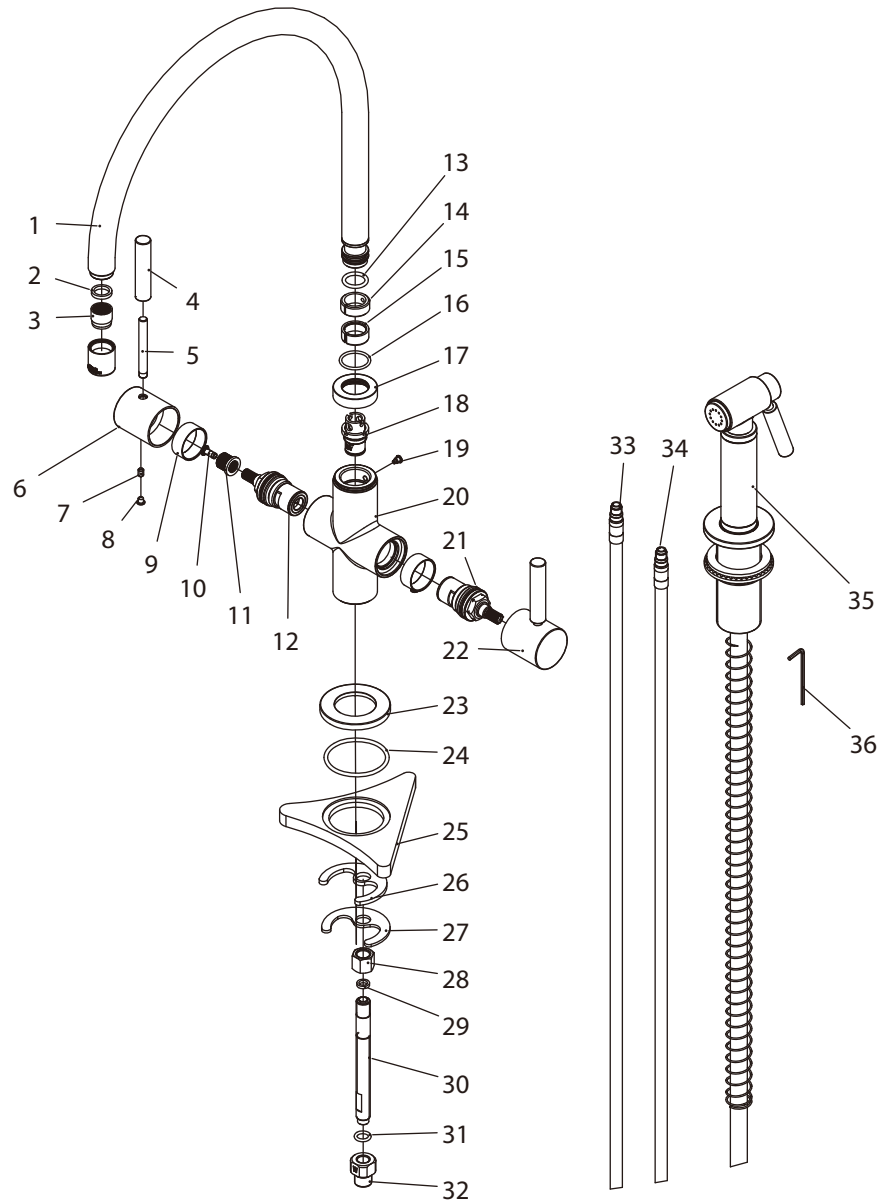
7 Screw side spray onto spray hose. Ensure oil-seal is inserted.

8 After installing faucet, remove aerator and open the hot and cold water supplies. Check for leaks. Turn on faucet handles for one minute to flush debris from faucet. Close the handles and re-assemble the aerator.

Exploded View

Parts List

X1-2055



1	Spout assembly (139060W-54)	13	O-ring (004005N)	25	Triangle washer (060063)
2	Oil seal (010519N)	14	Clip (012060)	26	Washer (013973)
3	Aerator insert (553661N)	15	Clip (012112N)	27	Washer (013686)
4	Handle sleeve (038104)	16	O-ring (004109N)	28	Nut (054062)
5	Handle stem (108926)	17	Shroud (000128)	29	Oil seal (010737N)
6	Handle seat (H) (215502-50)	18	Diverter (501213 N)	30	Screw pipe (017974)
7	Set screw (292562)	19	Screw (085015)	31	O-ring (004031N)
8	Plug (028008)	20	Body (002782W)	32	Adaptor (057434W)
9	Nut (009267)	21	Cartridge (C) (507176W)	33	Flexible hose (C) (105809W)
10	Screw (008154)	22	Handle seat (C) (215502)	34	Flexible hose (H) (105808W)
11	Adaptor (205469)	23	Escutcheon (303459)	35	Hand spray (533135W)
12	Cartridge (H) (507175W)	24	O-ring (004072N)	36	Allen key (031003)

For additional assistance or service call

718-302-5292

9am to 5pm EST Monday to Friday



LEFROY BROOKS

www.lefroybrooks.com

LEFROY BROOKS INC, 1828 TROUTMAN STREET, RIDGEWOOD, NY, 11385
TELEPHONE: 718-302-5292. FAX: 718-302-4177

The use of trademarks, product design and artwork is subject to licence or agreement with LBIP Ltd. The design registrations, trademark registrations and copyrights are protected by law and the use or reproduction outside the terms of an agreement is prohibited. The right to modify designs and dimensions is reserved. Christo Lefroy Brooks is a member of ACID (Anti Copying in Design).