

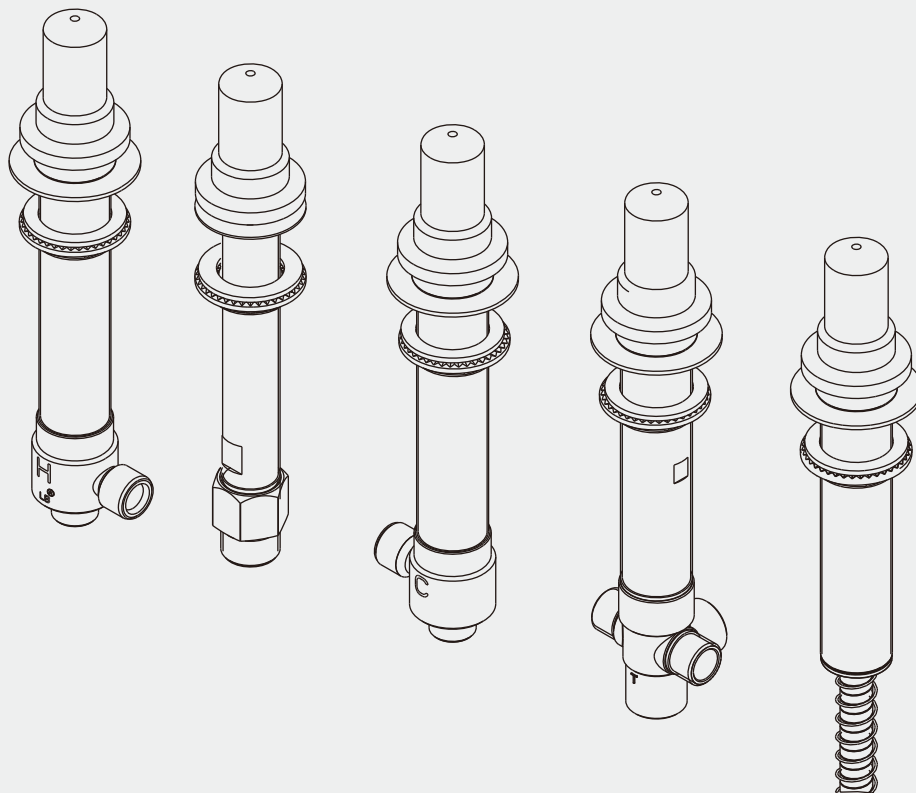
INSTALLATION INSTRUCTIONS

R1-4006

CROSS HANDLE 5-HOLE BATH SET & PULL-OUT HAND SHOWER WITH DECK DIVERTER ROUGH, TO SUIT K1-2200, M1-2200, M1-2204, M1-2207, M2-2200

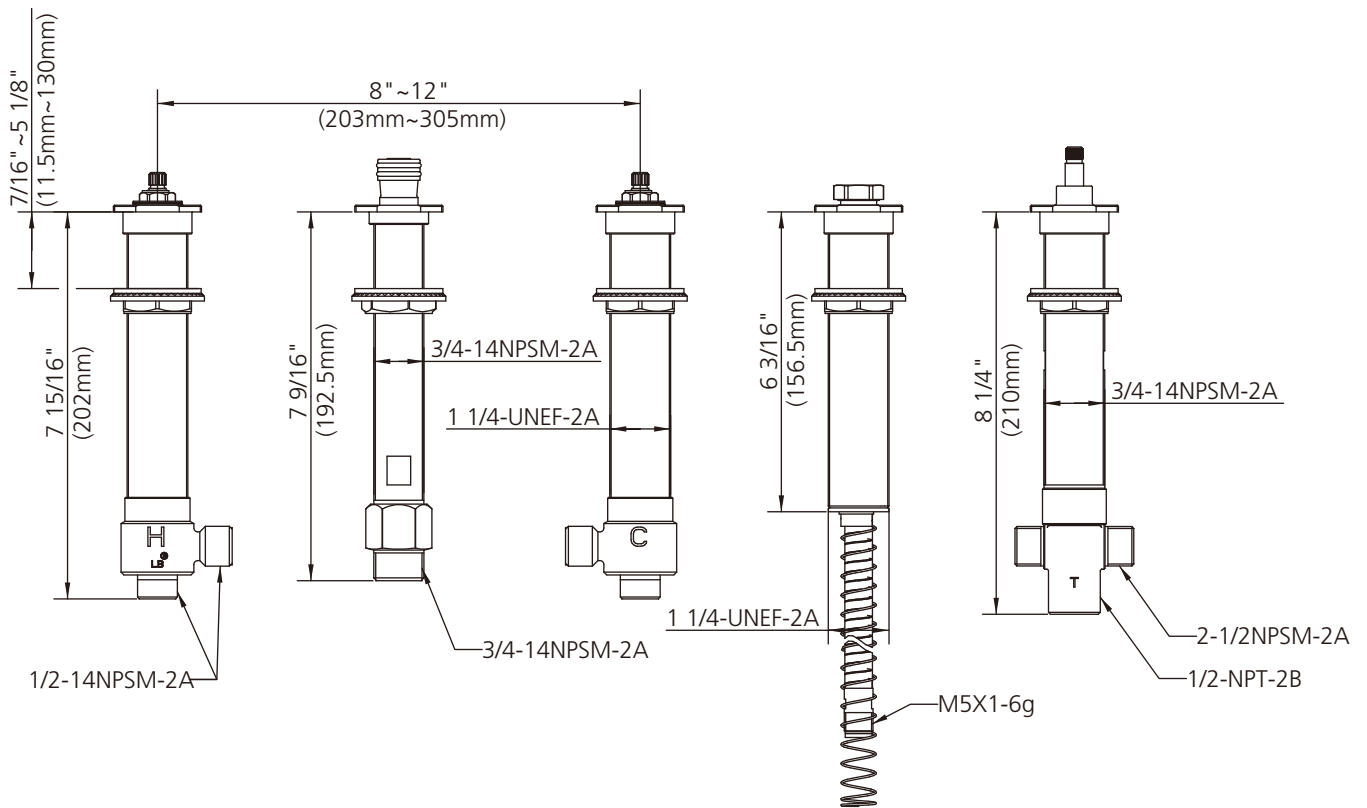
R1-4007

LEVER 5-HOLE BATH SET WITH PULL-OUT HAND SHOWER & DECK DIVERTER ROUGH, TO SUIT K1-2201, X1-1056, M1-2201, M1-2202, M1-2205, M1-2206, M1-2208, M1-2209, M2-2201, M2-2202



Dimensions in Inches (& Millimetres)

R1-4006
R1-4007

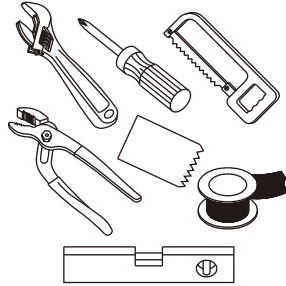


Whilst every effort is made to ensure accuracy, design and dimensions are subject to change without notice as part of the company's product development process.

What you need to know

Tools:

Adjustable Wrench
Groove Joint Pliers
Hacksaw
Phillips Screwdriver
Pipe Tape
Spatula
Spirit Level



Maintenance

Your new bathroom faucet is designed for years of trouble-free performance.

Keep it looking new by cleaning it periodically with a soft cloth. Avoid abrasive cleaners, wire wool and harsh chemicals as these will dull the finish and void your warranty.

Safety Tips

If you are soldering during faucet installation, remove cartridges, seats, gaskets and washers prior to applying flame, otherwise you will void the warranty.

Cover drain openings to avoid losing small parts.

When cutting or soldering pipe, use safety glasses to protect your eyes.

Important Points

Prior to beginning installation, turn off the cold and hot water lines and open the old faucet to release built-up pressure.

Overtightening nuts may cause damage.

Wrap all threaded connections with pipe tape available at your local plumbing supply store. Always wrap in a clockwise direction. The fittings should be installed by a state-licensed plumber.

Please note:

When there is a difference in water pressure between hot and cold supplies to the mixing valve, the pressures should be equalized by a plumber in accordance with best practice and legislation.

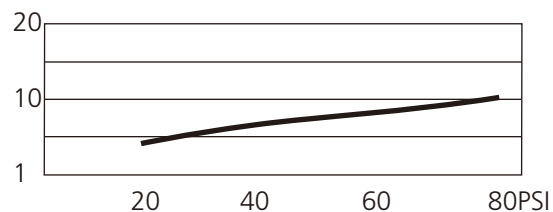
Things You May Need

Correct installation may vary depending on previous faucet installation. All necessary supplies required for faucet installation are not included, but may be found where plumbing supplies are sold. It is suggested that IAPMO and/or CSA approved plumbing supplies are used during installation.

Standards

IAPMO/cUPC Listed
Meets A112.18.1

Flow Rate



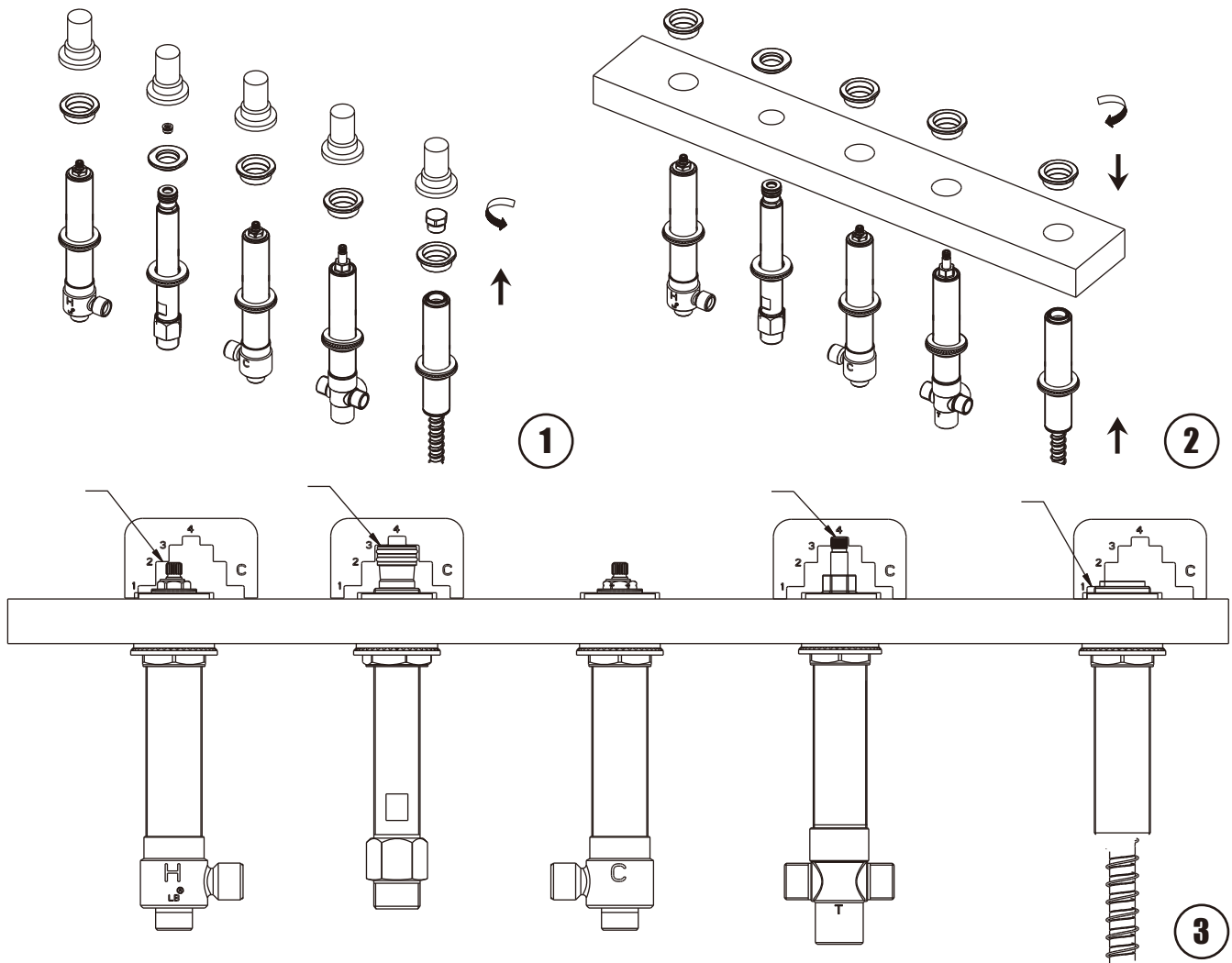
Please note :

Final achievable flow rate is dependent on the outlets fitted, see relevant outlets (spouts, roses, sprays) for fully assembled product flow rate.

Steps 1-2

Installation Procedure

Lefroy Brooks always recommends that plumbing products be installed by a licensed professional. Shut off main water supply before installation.



1 Remove the protective bubble bag, cap, top mounting nut from body assembly, and remove plug from spout tube assembly and shower hose top.

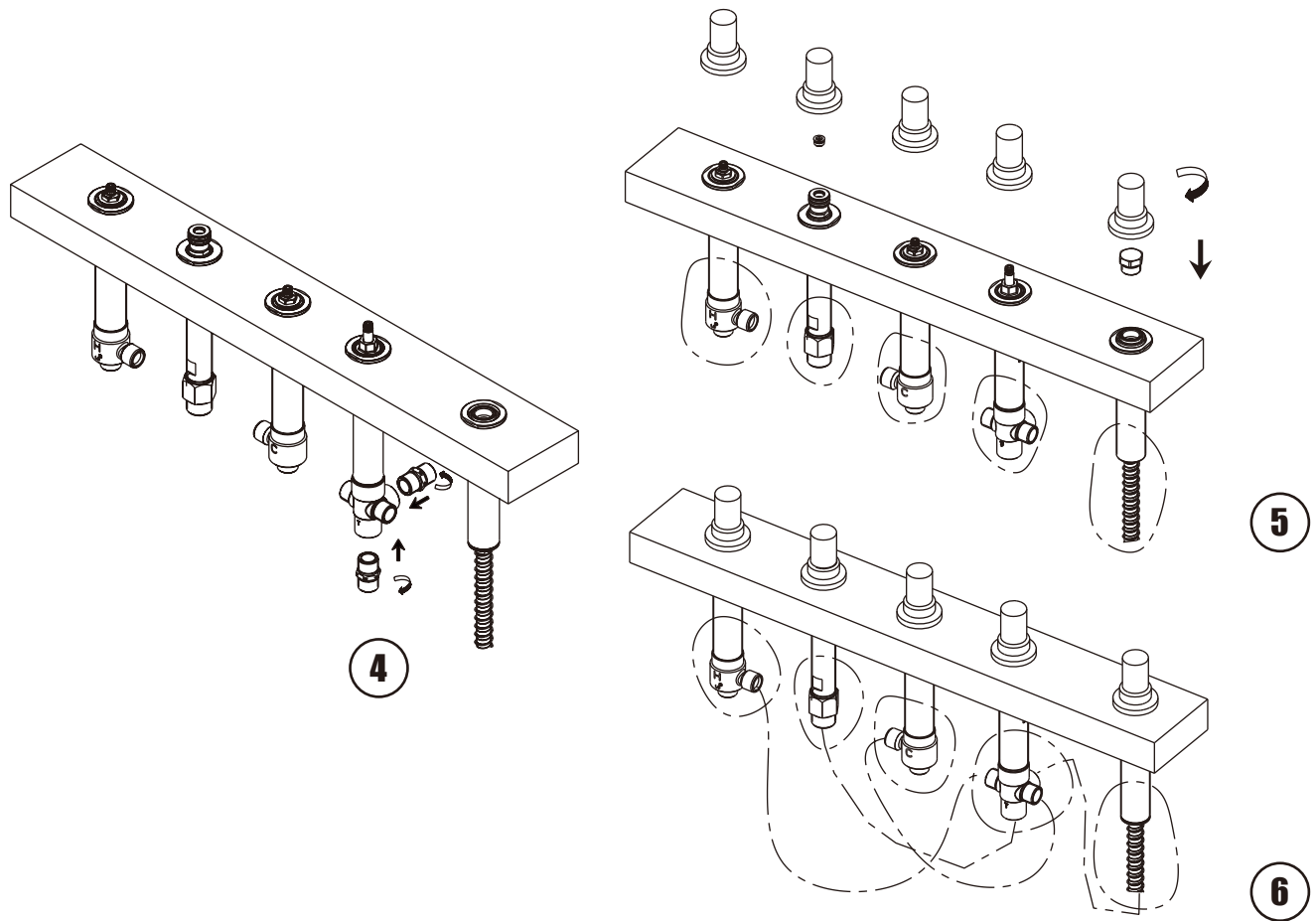
2 Install the body through mounting hole from below and attach top mounting nut from top.

3 Adjust position of the bodies relying on specific gauge (A, B, C) supplied as the figure indicated to make sure they can fit with the trim in various ranges. After that, tighten fixing nuts from below by wrench.
Gauge A (027105) for M2-2200, M2-2201, M2-2202.
Gauge B (027104) for K1-2200, K1-2201, X1-1056.
Gauge C (027107) for M1-2200, M1-2201, M1-2202, M1-2204, M1-2205, M1-2206, M1-2207, M1-2208, M1-2209.

Steps 1-3

Installation Procedure

Lefroy Brooks always recommends that plumbing products be installed by a licensed professional. Shut off main water supply before installation.



4 Attach the adaptors included to two outlets on the diverter shank.

5 Replace the protective bubble bag, body and spout protective caps/plugs and shower hose top to prevent dirt ingress or water leakage during construction.

Warning! When installing flexible hose, please notice:

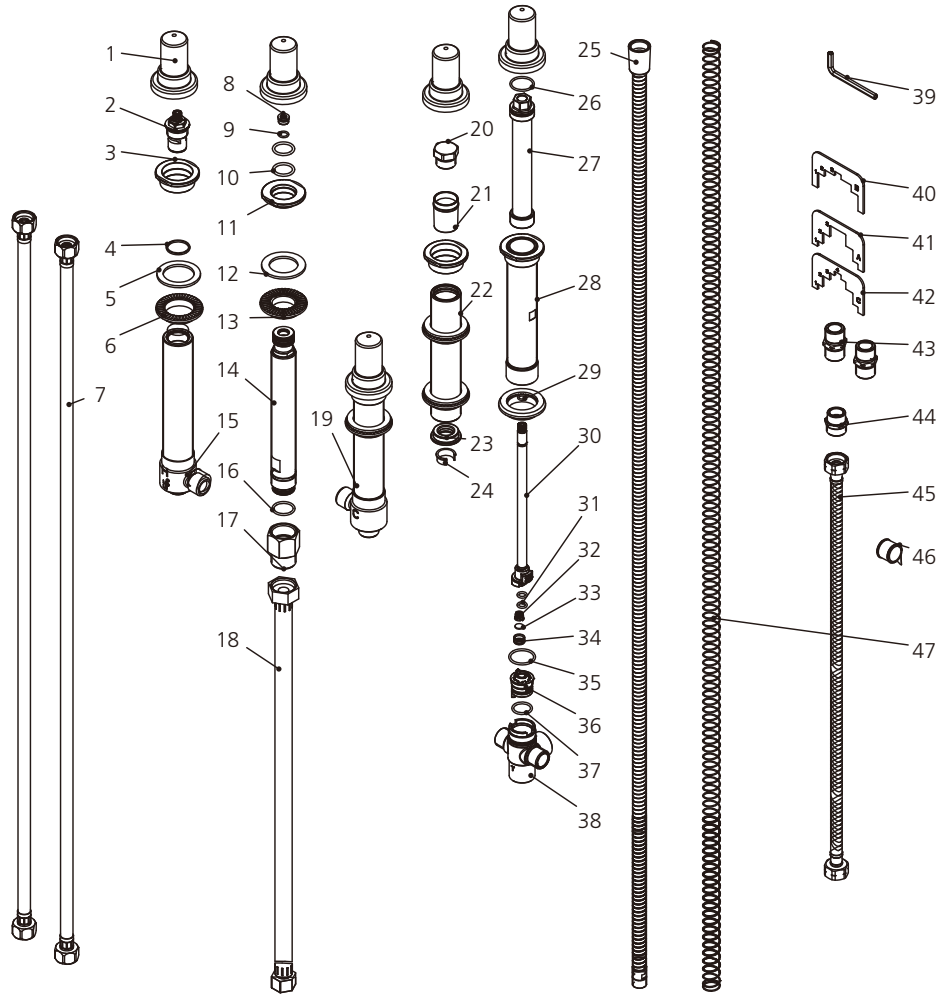
1. There should be no torsion or deformation
2. Do not fold into a V or L shape.
3. Do not use if there is any crack or deformation.

6 Connect inlet and outlet with flexible hoses.

Exploded View

Parts List

R1-4006

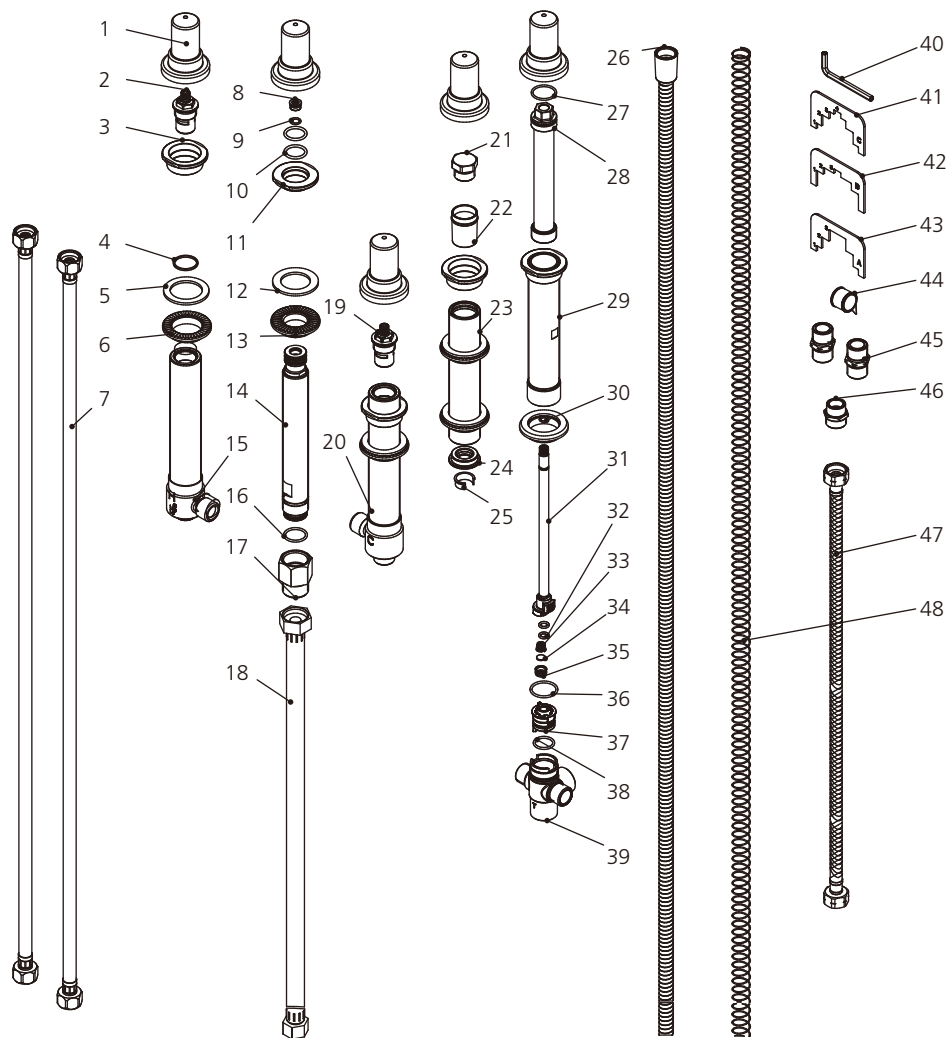


- | | | | | | |
|----|-------------------------|----|-------------------------|----|-------------------------|
| 1 | Protective cap (038103) | 17 | Adaptor (039008) | 33 | Washer (060067) |
| 2 | Cartridge (507145-50) | 18 | Flexible hose (105137) | 34 | Plug (101000) |
| 3 | Nut (009331) | 19 | Shank (061113C-50) | 35 | O-ring (004535N) |
| 4 | Ring (200143N) | 20 | Plug (028599) | 36 | Shell (033764) |
| 5 | Oil-seal (010022) | 21 | Ring (200197) | 37 | O-ring (004074N) |
| 6 | Nut (054026) | 22 | Shank (014638) | 38 | Body (076171) |
| 7 | Flexible hose (105694N) | 23 | Ring (200198) | 39 | Allen key (031213) |
| 8 | Plug (028211) | 24 | Clip (012294) | 40 | Gauge B (027104) |
| 9 | O-ring (072060N) | 25 | Shower hose (105786) | 41 | Gauge A (027105) |
| 10 | O-ring (063060) | 26 | O-ring (048099R) | 42 | Gauge C (027107) |
| 11 | Nut (009333) | 27 | Shell (033095) | 43 | Adaptor (077034) |
| 12 | Oil-seal (010023) | 28 | Shank (014546) | 44 | Adaptor (067570) |
| 13 | Nut (054027) | 29 | O-ring (072007N) | 45 | Flexible hose (134057N) |
| 14 | Shank (014581) | 30 | Diverter valve (208141) | 46 | Teflon tape (203000) |
| 15 | Shank (061113H-50) | 31 | O-ring (063026N) | 47 | Spring (005195) |
| 16 | O-ring (063091N) | 32 | Spring (005000) | | |

Exploded View

Parts List

R1-4007



1	Protective cap (038103)	17	Adaptor (039008)	33	Spring (005000)
2	Cartridge (H) (507725-50)	18	Flexible hose (105137)	34	Washer (060067)
3	Nut (009331)	19	Cartridge (C) (507724-50)	35	Plug (101000)
4	Ring (200143N)	20	Shank (061113C-50)	36	O-ring (004535N)
5	Oil-seal (010022)	21	Plug (028599)	37	Shell (033764)
6	Nut (054026)	22	Ring (200197)	38	O-ring (004074N)
7	Flexible hose (105694N)	23	Shank (014638)	39	Body (076171)
8	Plug (028211)	24	Ring (200198)	40	Allen key (031213)
9	O-ring (072060N)	25	Clip (012294)	41	Gauge C (027107)
10	O-ring (063060)	26	Shower hose (105786)	42	Gauge B (027104)
11	Nut (009333)	27	O-ring (048099R)	43	Gauge A (027105)
12	Oil-seal (010023)	28	Shell (033095)	44	Teflon tape (203000)
13	Nut (054027)	29	Shank (014546)	45	Adaptor (077034)
14	Shank (014581)	30	O-ring (072007N)	46	Adaptor (067570)
15	Shank (061113H-50)	31	Diverter valve (208141)	47	Flexible hose (134057N)
16	O-ring (063091N)	32	O-ring (063026N)	48	Spring (005195)

For additional assistance or service call

718-302-5292

9am to 5pm EST Monday to Friday



LEFROY BROOKS

www.lefroybrooks.com

LEFROY BROOKS INC, 1828 TROUTMAN STREET, RIDGEWOOD, NY, 11385
TELEPHONE: 718-302-5292. FAX: 718-302-4177

The use of trademarks, product design and artwork is subject to licence or agreement with LBIP Ltd. The design registrations, trademark registrations and copyrights are protected by law and the use or reproduction outside the terms of an agreement is prohibited. The right to modify designs and dimensions is reserved. Christo Lefroy Brooks is a member of ACID (Anti Copying in Design).