

INSTALLATION INSTRUCTIONS

**M1-5350**

12" GRAB BAR

**M1-5351**

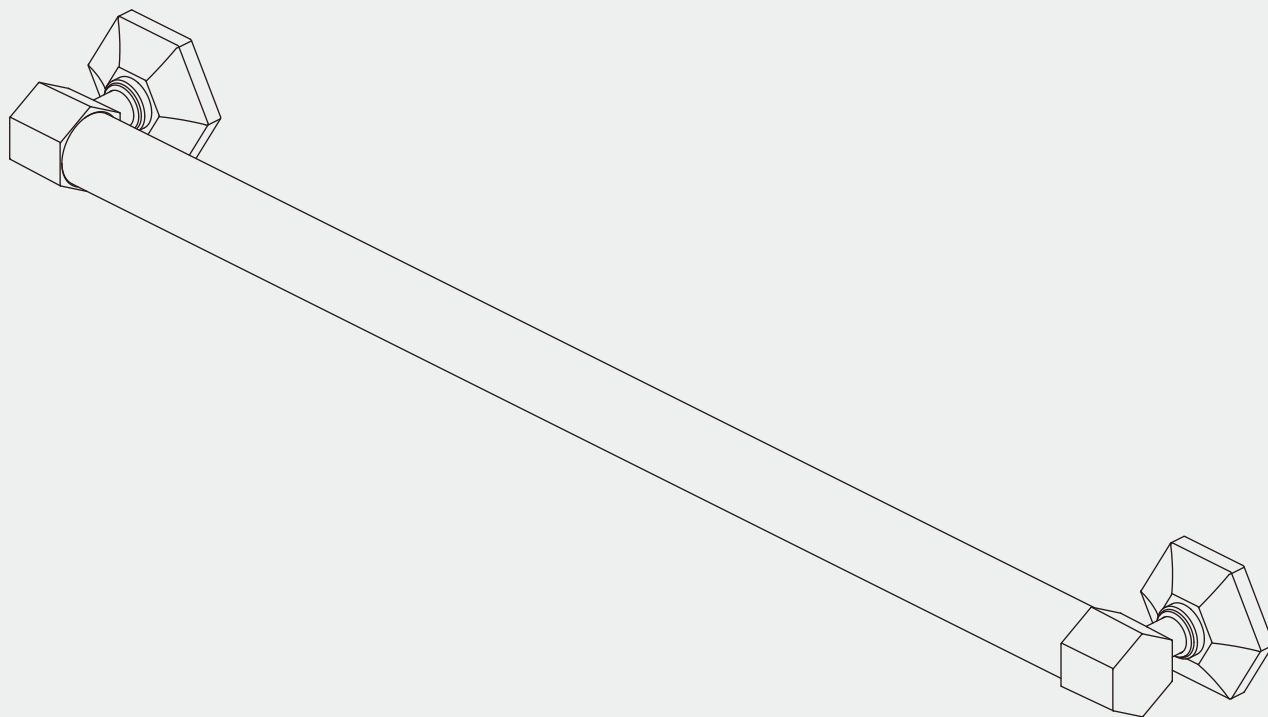
18" GRAB BAR

**M1-5352**

24" GRAB BAR

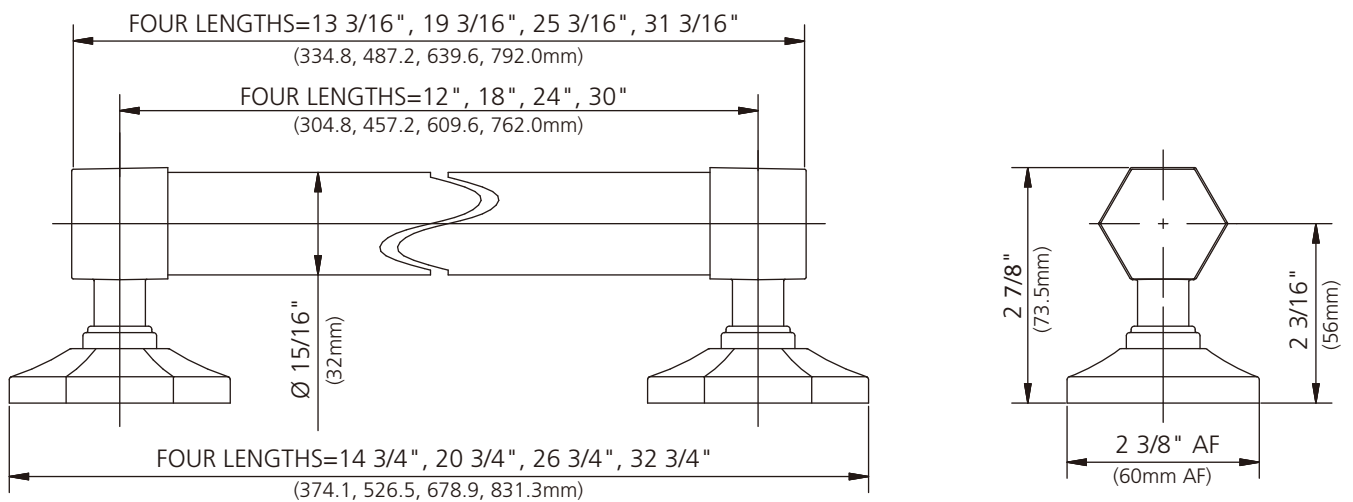
**M1-5353**

30" GRAB BAR



# Dimensions in Inches (& Millimetres)

- M1-5350
- M1-5351
- M1-5352
- M1-5353

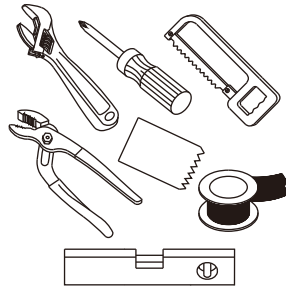


Whilst every effort is made to ensure accuracy, design and dimensions are subject to change without notice as part of the company's product development process.

# What you need to know

## Tools:

Adjustable Wrench  
Groove Joint Pliers  
Hacksaw  
Phillips Screwdriver  
Pipe Tape  
Spatula  
Spirit Level



## Maintenance

Your new bathroom faucet is designed for years of trouble-free performance.

Keep it looking new by cleaning it periodically with a soft cloth. Avoid abrasive cleaners, wire wool and harsh chemicals as these will dull the finish and void your warranty.

## Safety Tips

If you are soldering during faucet installation, remove cartridges, seats, gaskets and washers prior to applying flame, otherwise you will void the warranty.

Cover drain openings to avoid losing small parts.

When cutting or soldering pipe, use safety glasses to protect your eyes.

## Important Points

Prior to beginning installation, turn off the cold and hot water lines and open the old faucet to release built-up pressure.

Overtightening nuts may cause damage.

Wrap all threaded connections with pipe tape available at your local plumbing supply store. Always wrap in a clockwise direction. The fittings should be installed by a state-licensed plumber.

Please note:

When there is a difference in water pressure between hot and cold supplies to the mixing valve, the pressures should be equalized by a plumber in accordance with best practice and legislation.

## Things You May Need

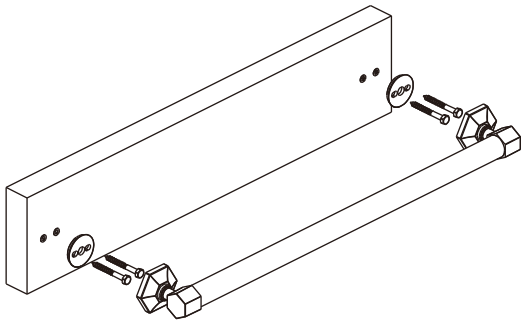
Correct installation may vary depending on previous faucet installation. All necessary supplies required for faucet installation are not included, but may be found where plumbing supplies are sold. It is suggested that IAPMO and/or CSA approved plumbing supplies are used during installation.

# Steps 1-2

## Installation Procedure

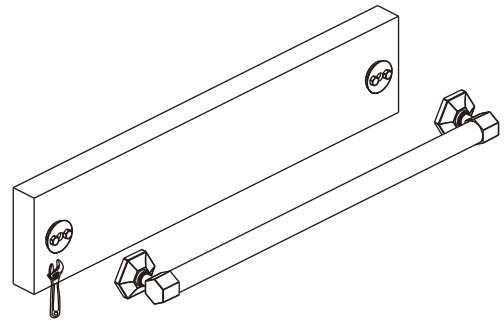
---

Lefroy Brooks always recommends that plumbing products be installed by a licensed professional. Shut off main water supply before installation.



1

- 1** Purchase suitable anchor and self-tapping screws for this grab bar. Position the mounting bracket on the wall where required. Mark the location of mounting screws. Drill holes in the wall to fit the anchors. Tap the plastic anchor into the hole with a hammer.



2

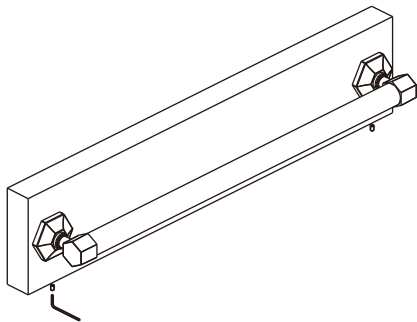
- 2** Position the mounting bracket to be mounted on the wall, then thread the self-tapping screws through the mounting hole into the plastic anchor. Turn the screws slowly until they are tight.

# Steps 3

## Installation Procedure

---

Lefroy Brooks always recommends that plumbing products be installed by a licensed professional. Shut off main water supply before installation.



**3**

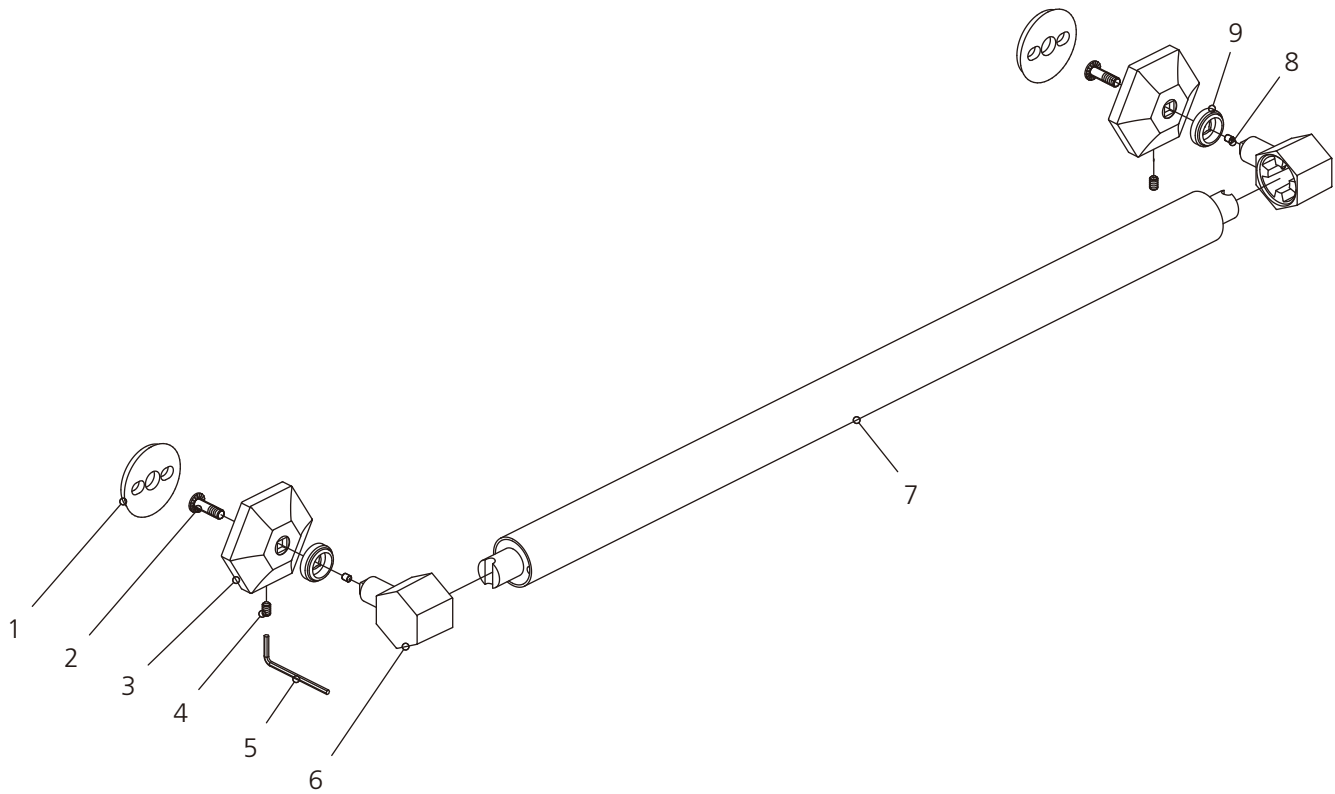
- 3** Place assembly over the mounting bracket with set screws facing down. Tighten the set screws.

# Exploded View

## Parts List

---

M1-5350  
M1-5351  
M1-5352  
M1-5353



1	Mounting bracket (293262)	7	Grab bar (258121/M1-5350) (258122/M1-5351) (258123/M1-5352) (258117/M1-5353)	8	Set screw (292545)
2	Screw (292536)			9	Decorative ring (243195)
3	Wall plate (241682)				
4	Set screw (075039)				
5	Allen key (031000)				
6	Post (244362)				



For additional assistance or service call

**718-302-5292**

**9am to 5pm EST Monday to Friday**



LEFROY BROOKS

[www.lefroybrooks.com](http://www.lefroybrooks.com)

LEFROY BROOKS INC, 1828 TROUTMAN STREET, RIDGEWOOD, NY, 11385  
TELEPHONE: 718-302-5292. FAX: 718-302-4177

The use of trademarks, product design and artwork is subject to licence or agreement with LBIP Ltd. The design registrations, trademark registrations and copyrights are protected by law and the use or reproduction outside the terms of an agreement is prohibited. The right to modify designs and dimensions is reserved. Christo Lefroy Brooks is a member of ACID (Anti Copying in Design).