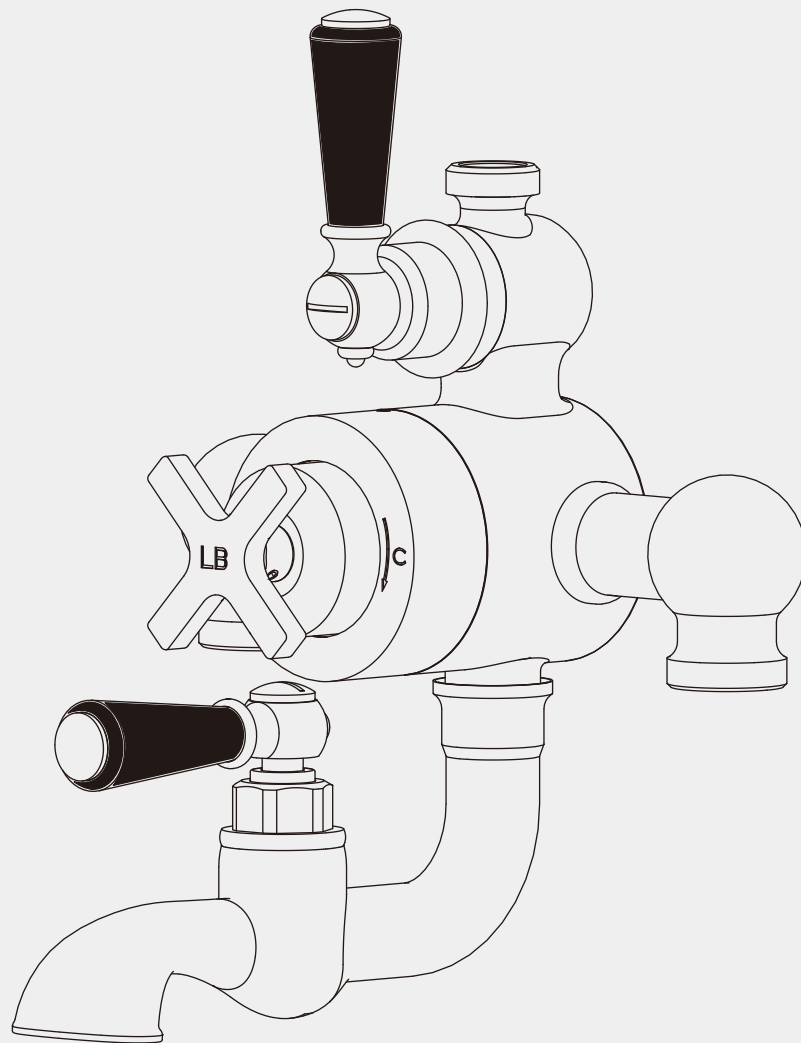


INSTALLATION INSTRUCTIONS

# M1-2675 (MK8823)

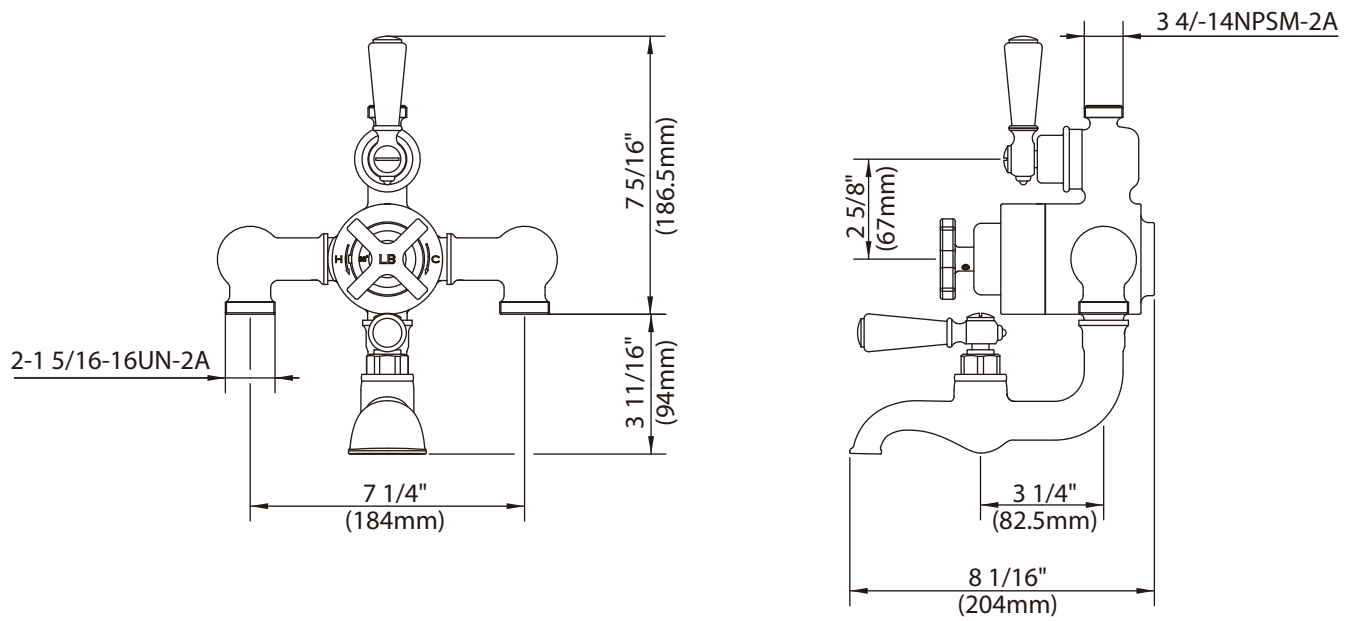
EXPOSED BLACK LEVER THERMOSTATIC BATH & SHOWER VALVE



LEFROY BROOKS

# Dimensions in Inches (& Millimetres)

---

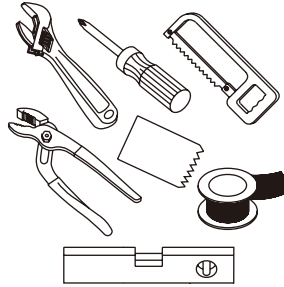


Whilst every effort is made to ensure accuracy, design and dimensions are subject to change without notice as part of the company's product development process.

# What you need to know

## Tools:

Adjustable Wrench  
Groove Joint Pliers  
Hacksaw  
Phillips Screwdriver  
Pipe Tape  
Spatula  
Spirit Level



## Safety Tips

If you are soldering during faucet installation, remove cartridges, seats, gaskets and washers prior to applying flame, otherwise you will void the warranty.

Cover drain openings to avoid losing small parts.

When cutting or soldering pipe, use safety glasses to protect your eyes.

## Things You May Need

Correct installation may vary depending on previous faucet installation. All necessary supplies required for faucet installation are not included, but may be found where plumbing supplies are sold. It is suggested that IAPMO and/or CSA approved plumbing supplies are used during installation.

## Standards

IAPMO/cUPC Listed  
Meets A112.18.1  
Meets ASSE 1016

## Maintenance

Your new bathroom faucet is designed for years of trouble-free performance.

Keep it looking new by cleaning it periodically with a soft cloth. Avoid abrasive cleaners, wire wool and harsh chemicals as these will dull the finish and void your warranty.

## Important Points

Prior to beginning installation, turn off the cold and hot water lines and open the old faucet to release built-up pressure.

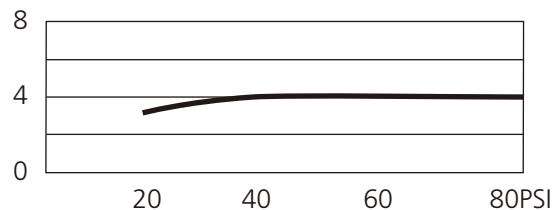
Overtightening nuts may cause damage.

Wrap all threaded connections with pipe tape available at your local plumbing supply store. Always wrap in a clockwise direction. The fittings should be installed by a state-licensed plumber.

Please note:

When there is a difference in water pressure between hot and cold supplies to the mixing valve, the pressures should be equalized by a plumber in accordance with best practice and legislation.

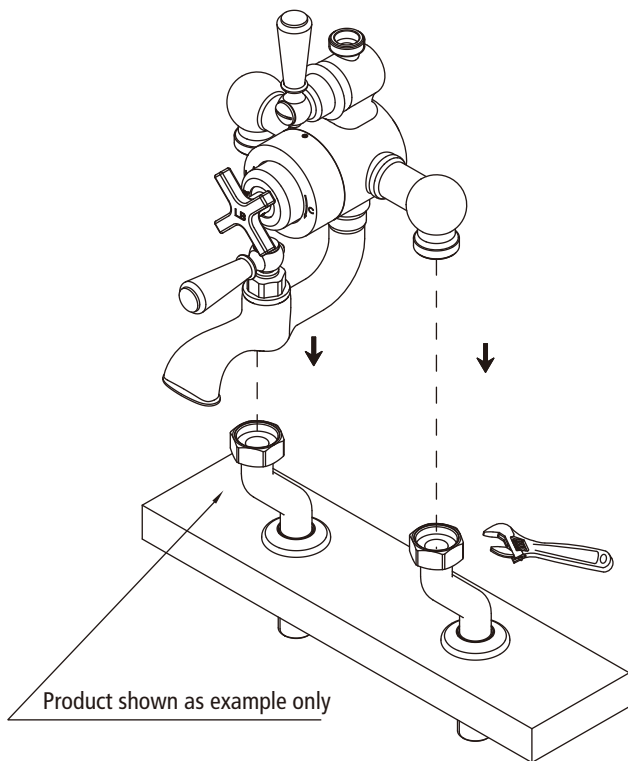
## Flow Rate



# Steps 1-2

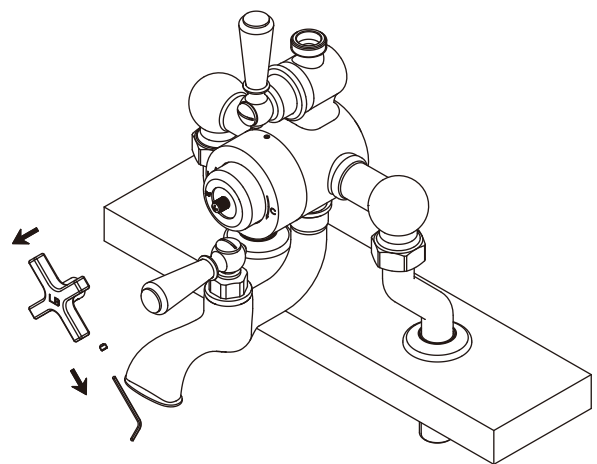
## Installation Procedure

Lefroy Brooks always recommends that plumbing products be installed by a licensed professional. Shut off main water supply before installation.



1

- 1 Install the faucet onto either the return bends or the cranked legs as chosen. Screw the nut tightly to seal securely.



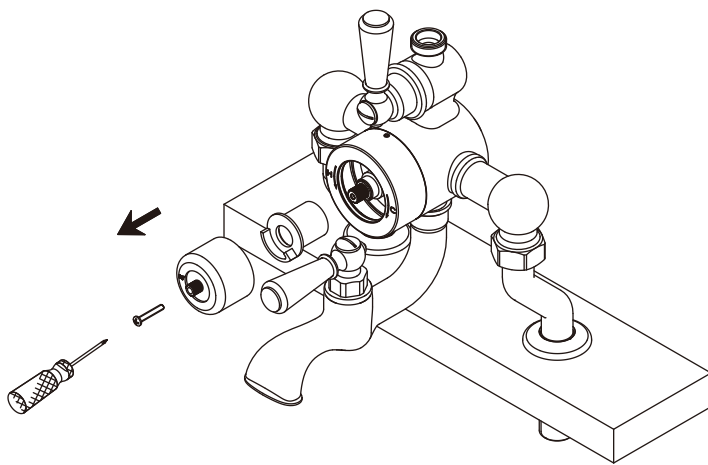
2

- 2 Unscrew the set screw and take off the handle.

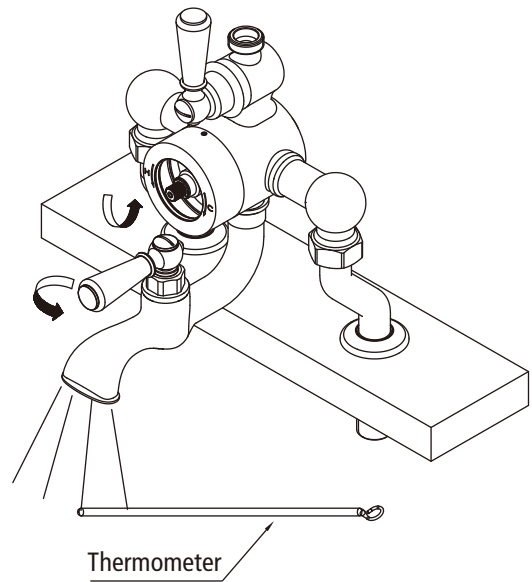
# Steps 3-4

## Installation Procedure

Lefroy Brooks always recommends that plumbing products be installed by a licensed professional. Shut off main water supply before installation.



3



4

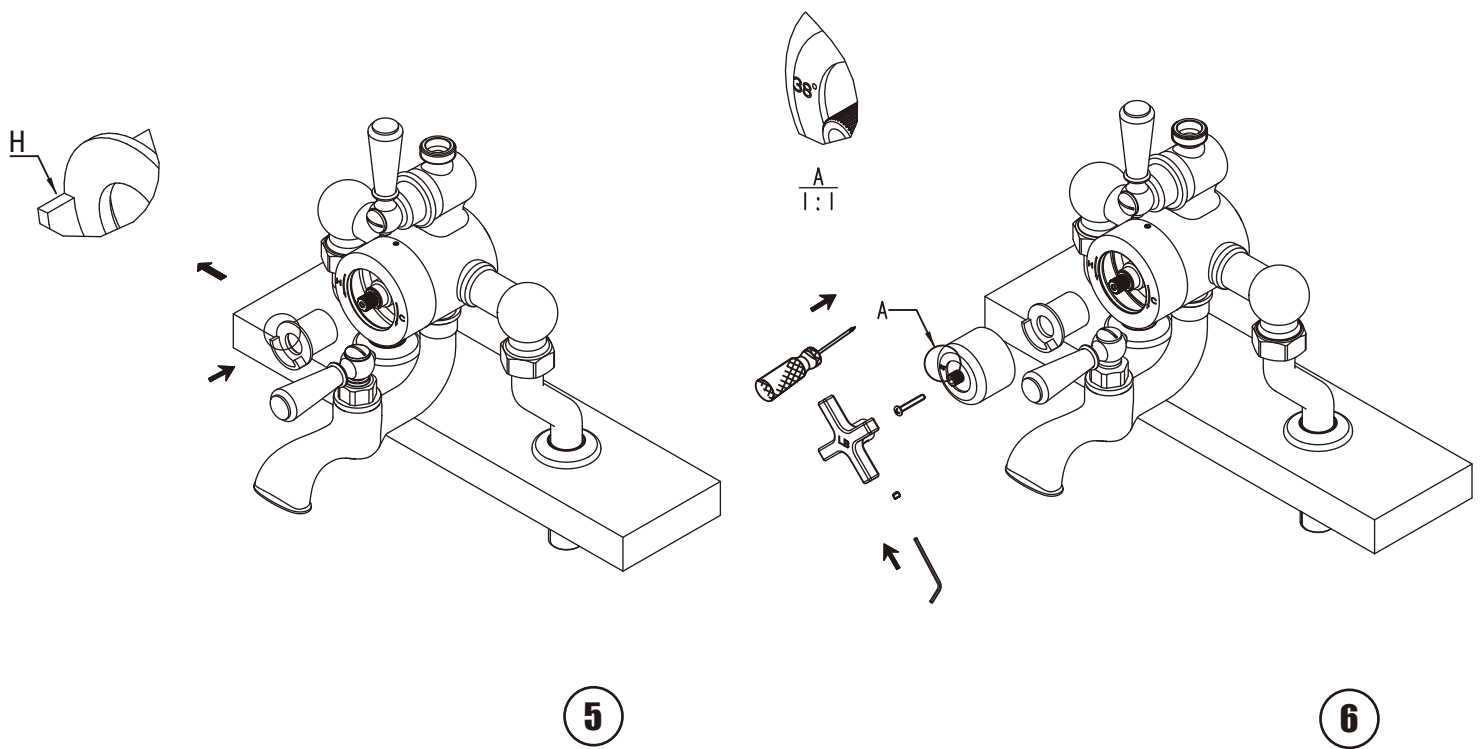
**3** Undo the screw and take off the adaptor and stopper.

**4** Turn on the flow controller. Turn the thermostatic cartridge until you get the water temperature at 38°C.

# Steps 5-6

## Installation Procedure

Lefroy Brooks always recommends that plumbing products be installed by a licensed professional. Shut off main water supply before installation.

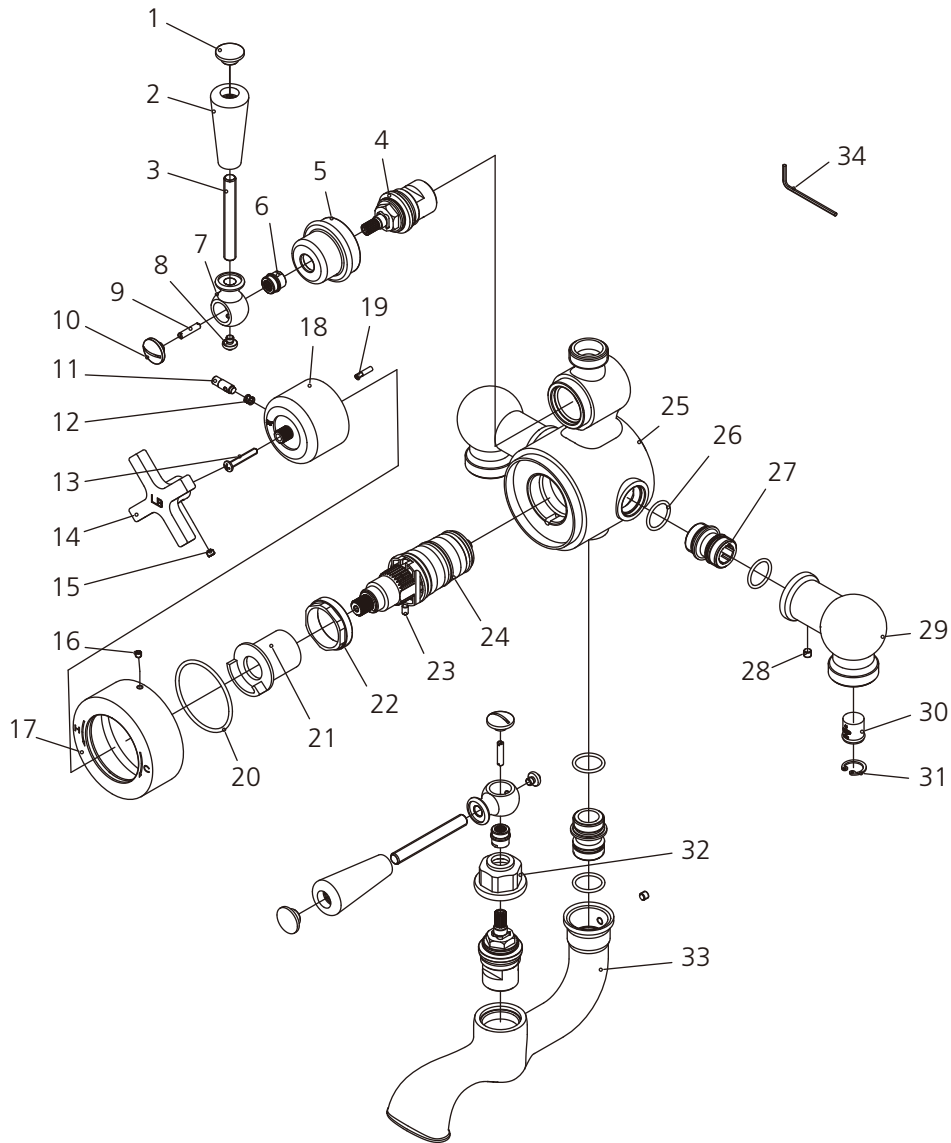


**5** Turn off the water supply. Install the stopper and make sure its "H" plane as the figure mentioned is horizontal and on the left side.

**6** Attach the adaptor and handle onto the valve. When the adaptor is fixed, the temperature-limit-button (38°) is at horizontal position.

# Exploded View

## Parts List



1	Lever cap (109376)	13	Screw (065152)	25	Body (066017-50)
2	Lever (108924)	14	Cross handle (029685-51)	26	O-ring (004074N)
3	Screw (017094)	15	Set screw (075210)	27	Adaptor (077124)
4	Cartridge (507455)	16	Set screw (065086)	28	Screw (008005)
5	Canopy (018206)	17	Canopy (071432-50)	29	Adaptor (077123)
6	Adaptor (067580)	18	Canopy (018199-50)	30	Check valve (519230)
7	Lever seat (205461)	19	Pin (003168)	31	Elastic clip (045165)
8	End cap (109377)	20	O-ring (004623R)	32	Canopy (018236)
9	Screw (008245)	21	Stopper (049108)	33	Spout (118557)
10	Slotted head (008247)	22	Retaining nut (104298)	34	Allen key (031003)
11	Button (036292)	23	Pin (003146)		
12	Spring (005157)	24	Thermostatic cartridge (507132)		

For additional assistance or service call

**718-302-5292**

**9am to 5pm EST Monday to Friday**



LEFROY BROOKS

[www.lefroybrooks.com](http://www.lefroybrooks.com)

LEFROY BROOKS INC, 1828 TROUTMAN STREET, RIDGEWOOD, NY, 11385  
TELEPHONE: 718-302-5292. FAX: 718-302-4177

The use of trademarks, product design and artwork is subject to licence or agreement with LBIP Ltd. The design registrations, trademark registrations and copyrights are protected by law and the use or reproduction outside the terms of an agreement is prohibited. The right to modify designs and dimensions is reserved. Christo Lefroy Brooks is a member of ACID (Anti Copying in Design).

© LBIP LTD 2012