

INSTALLATION INSTRUCTIONS

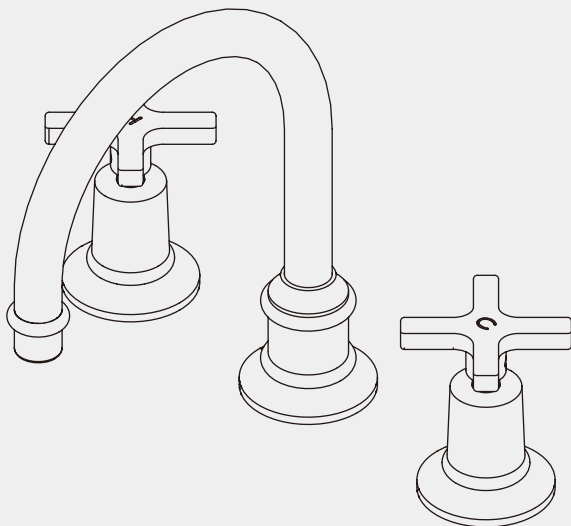
# M1-1120 (MH1230)

CROSS HANDLE TUBULAR 3-HOLE BASIN MIXER

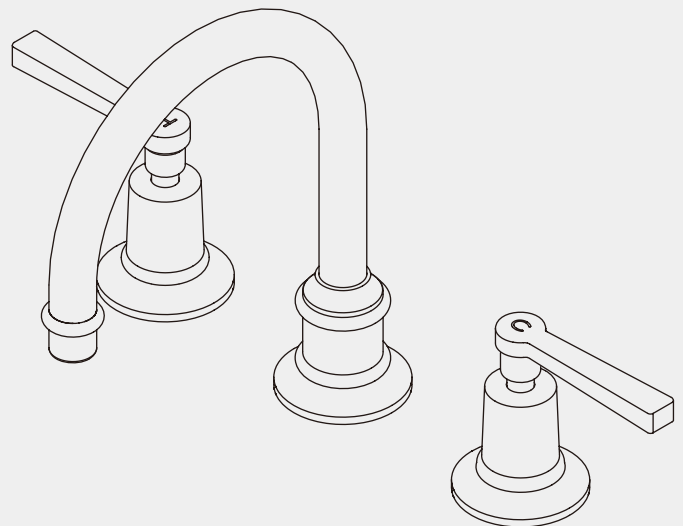
# M1-1121 (ML1230)

LEVER TUBULAR 3-HOLE BASIN MIXER

M1-1120 (MH1230)



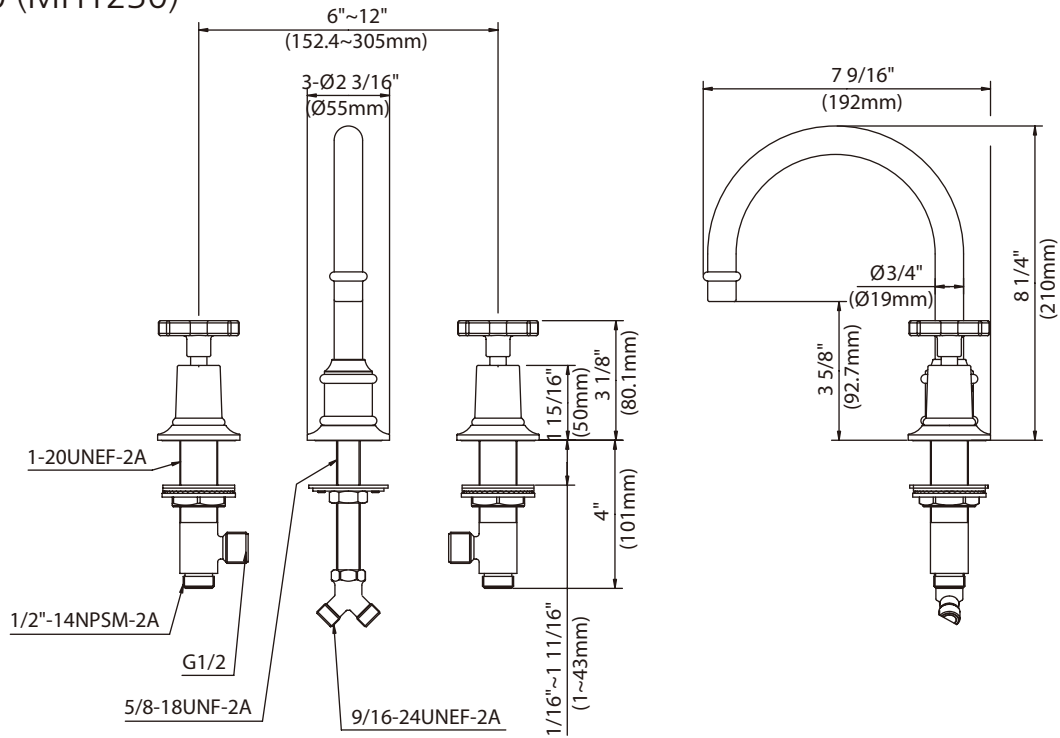
M1-1121 (ML1230)



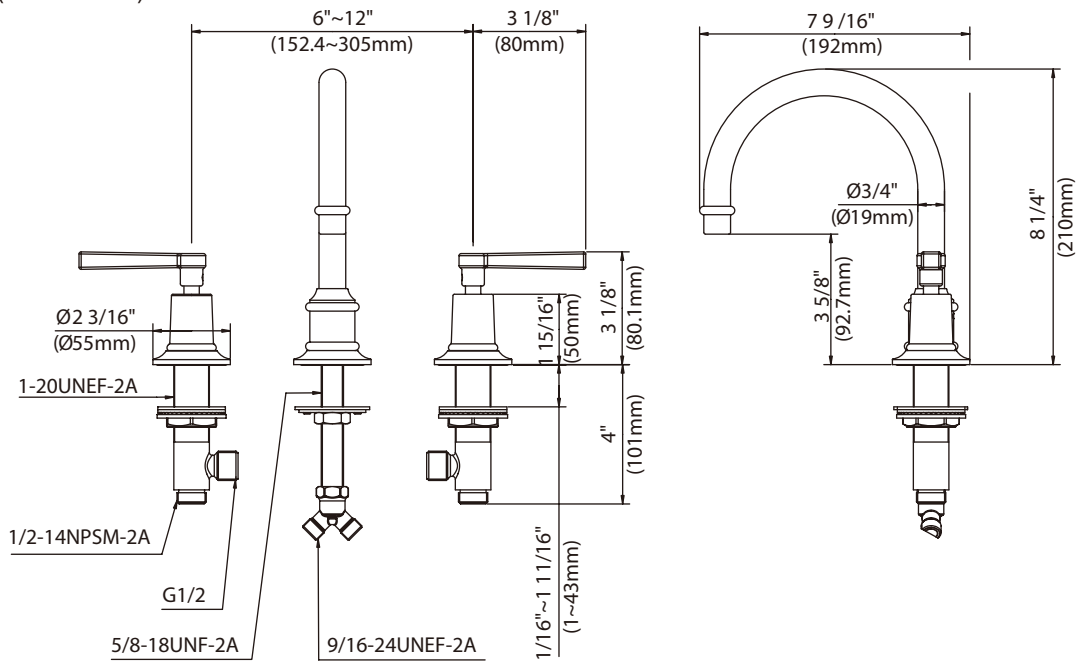
LEFROY BROOKS

# Dimensions in Inches (& Millimetres)

## M1-1120 (MH1230)



## M1-1121 (ML1230)

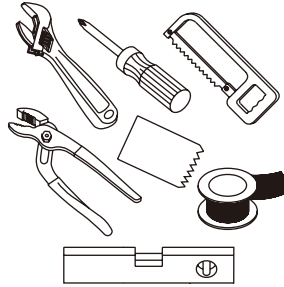


Whilst every effort is made to ensure accuracy, design and dimensions are subject to change without notice as part of the company's product development process.

# What you need to know

## Tools:

Adjustable Wrench  
Groove Joint Pliers  
Hacksaw  
Phillips Screwdriver  
Pipe Tape  
Spatula  
Spirit Level



## Maintenance

Your new bathroom faucet is designed for years of trouble-free performance.

Keep it looking new by cleaning it periodically with a soft cloth. Avoid abrasive cleaners, wire wool and harsh chemicals as these will dull the finish and void your warranty.

## Safety Tips

If you are soldering during faucet installation, remove cartridges, seats, gaskets and washers prior to applying flame, otherwise you will void the warranty.

Cover drain openings to avoid losing small parts.

When cutting or soldering pipe, use safety glasses to protect your eyes.

## Important Points

Prior to beginning installation, turn off the cold and hot water lines and open the old faucet to release built-up pressure.

Overtightening nuts may cause damage.

Wrap all threaded connections with pipe tape available at your local plumbing supply store. Always wrap in a clockwise direction. The fittings should be installed by a state-licensed plumber.

### Please note:

When there is a difference in water pressure between hot and cold supplies to the mixing valve, the pressures should be equalized by a plumber in accordance with best practice and legislation.

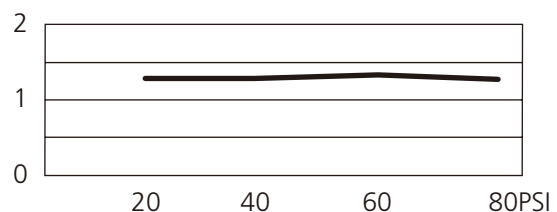
## Things You May Need

Correct installation may vary depending on previous faucet installation. All necessary supplies required for faucet installation are not included, but may be found where plumbing supplies are sold. It is suggested that IAPMO and/or CSA approved plumbing supplies are used during installation.

## Standards

IAPMO/cUPC Listed (all variants)  
Meets NSF 61-9 (all variants)  
Meets A112.18.1 (all variants)  
ADA Compliant (MI-1121 only)

## Flow Rate



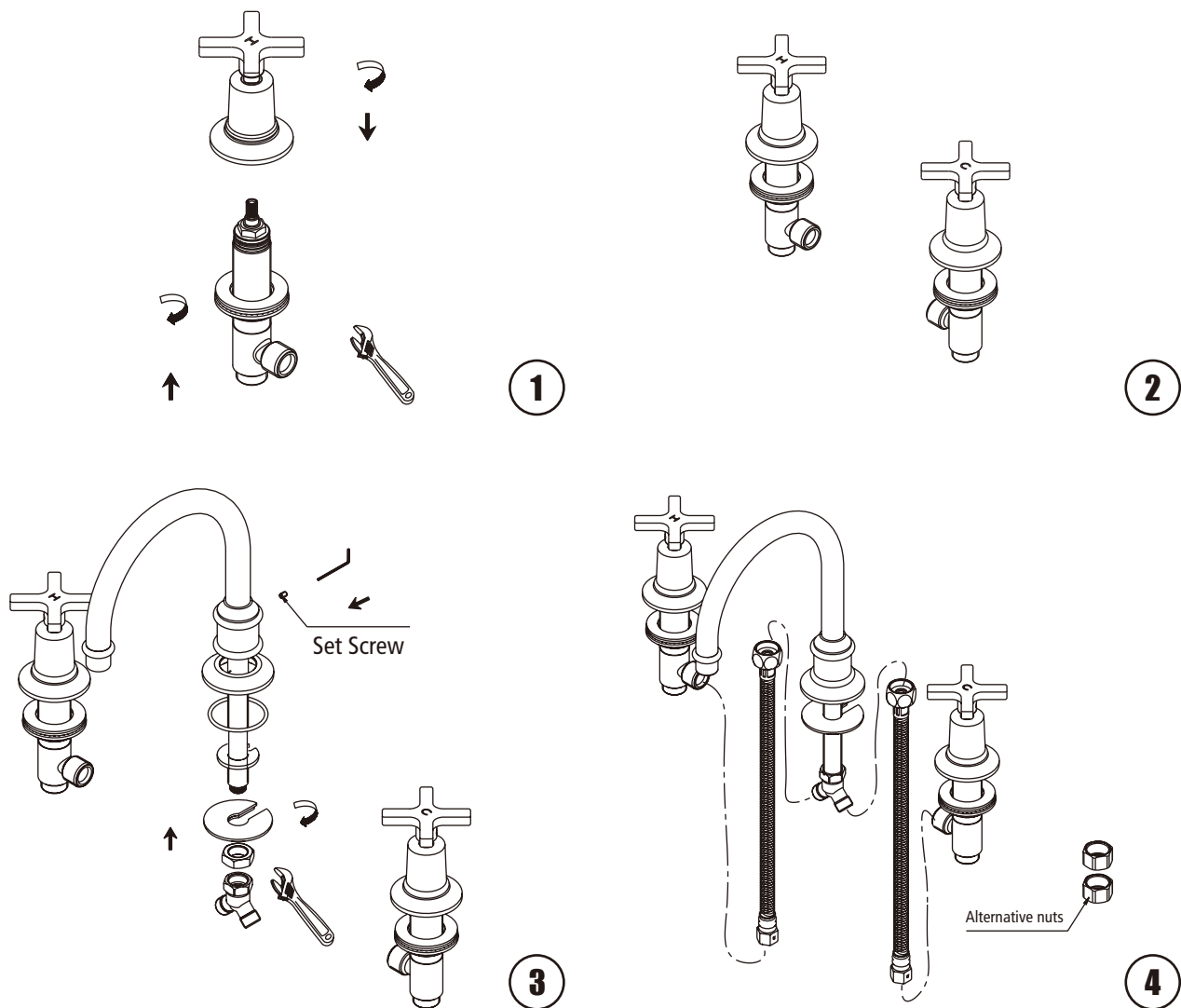
### Please note :

Final achievable flow rate is dependent on the outlets fitted, see relevant outlets (spouts, roses, sprays) for fully assembled product flow rate.

# Steps 1-4

## Installation Procedure

Lefroy Brooks always recommends that plumbing products be installed by a licensed professional. Shut off main water supply before installation.



**1** Install left handle assembly, headwork cover and side body.

**3** Fit spout and install the connector assembly.

**2** Install other handle assembly, headwork cover and side body.

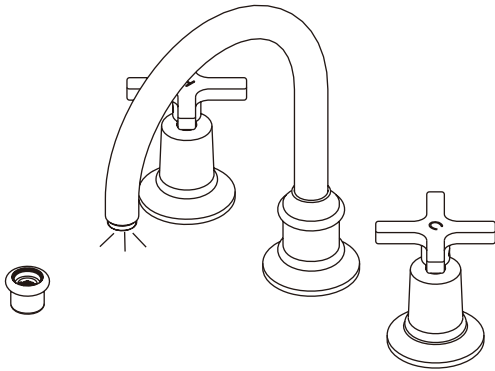
**4** Connect flexible hoses. Alternative nuts are supplied in case you want to connect copper pipes instead.

# Steps 5

## Installation Procedure

---

Lefroy Brooks always recommends that plumbing products be installed by a licensed professional. Shut off main water supply before installation.



5

- 5** Remove aerator and turn on water to remove any left over debris. Re-assemble aerator.

---

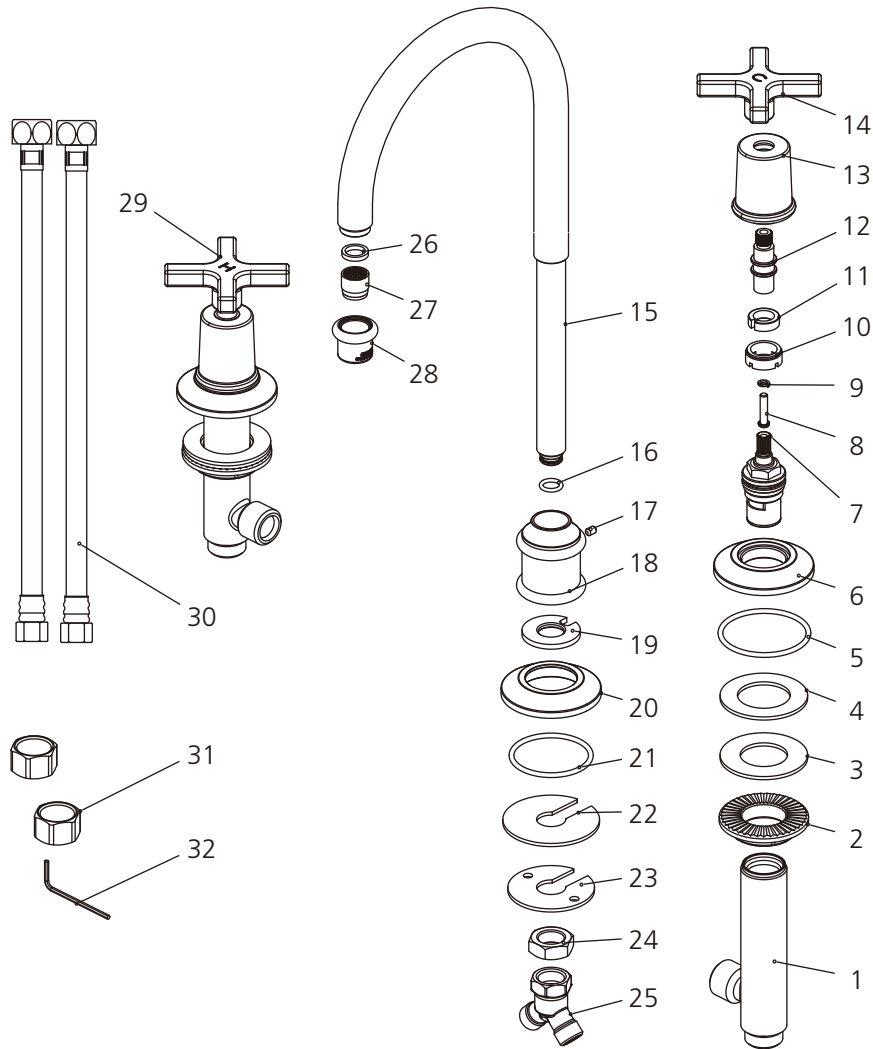
Warning! When installing flexible hose, please notice:

1. There should be no torsion or deformation
2. Do not fold into a V or L shape.
3. Do not use if there is any crack or deformation.

# Exploded View

## Parts List

M1-1120 (MH1230)

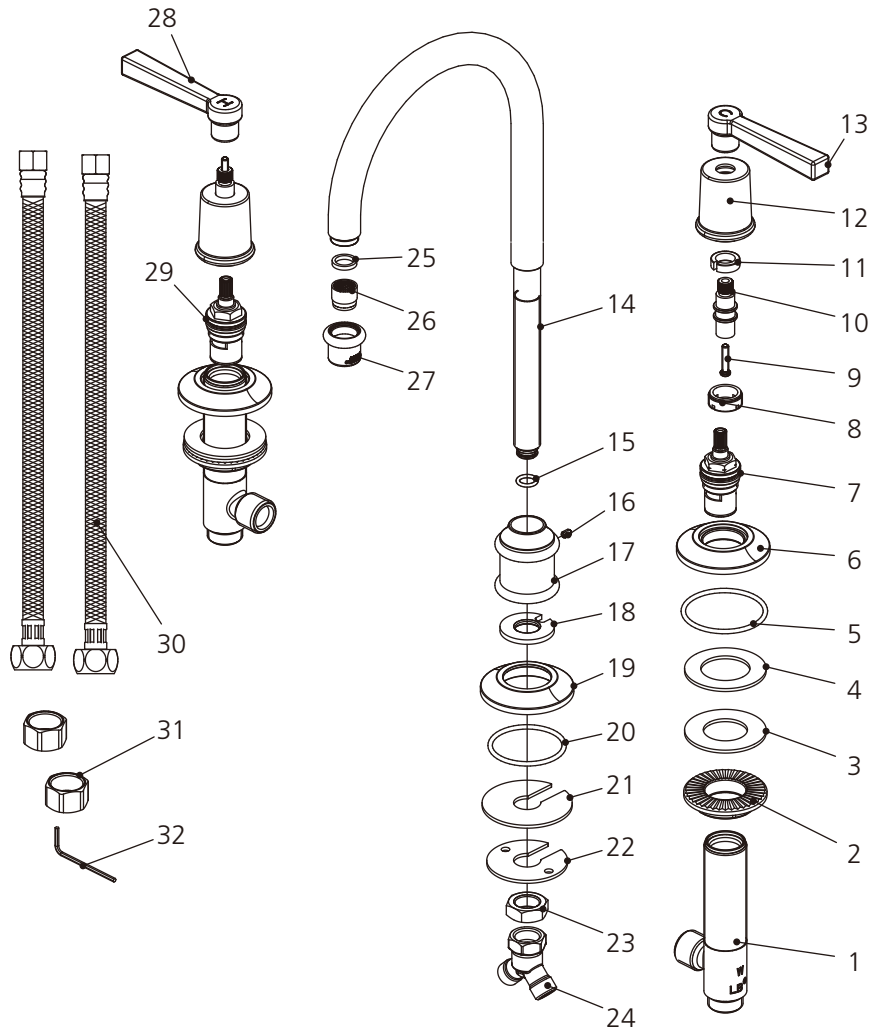


1	Body (061893W)	12	Stem extension (110409)	23	Washer (013006)
2	Nut (009834)	13	Canopy (018295)	24	Nut (009015)
3	Washer (013158)	14	Handle ( C ) (029685C-T)	25	Connector (015004W)
4	Oil-seal (010017)	15	Spout assembly (139870W)	26	Oil-seal (010519N)
5	O-ring (004617)	16	O-ring (004026N)	27	Aerator insert (553661N)
6	Escutcheon (071473)	17	Set screw (292562)	28	Aerator housing (305849N-54)
7	Cartridge assembly (507907W)	18	Canopy (000085)	29	Handle ( H ) (029685H-T)
8	Screw (008486)	19	Washer (013797)	30	Flexible hose (105750W)
9	Washer (013570)	20	Escutcheon (071326)	31	Alternative nuts (504003)
10	Adaptor (057507)	21	O-ring (004072N)	32	Allen key (031003)
11	Clip (012242)	22	Oil-seal (058094)		

# Exploded View

## Parts List

R1-4018



1	Body (061893W)	12	Canopy (018295)	24	Connector (015004W)
2	Nut (009834)	13	Handle ( C ) (029686C-T)	25	Oil-seal (010519N)
3	Washer (013158)	14	Spout assembly (139870W)	26	Aerator insert (553661N)
4	Oil-seal (010017)	15	O-ring (004026N)	27	Aerator housing (305849N-54)
5	O-ring (004617)	16	Set screw (292562)	28	Handle ( H ) (029686H-T)
6	Escutcheon (071473)	17	Canopy (000085)	29	Cartridge assembly ( CH ) (507175W)
7	Cartridge assembly ( C ) (507176W)	18	Washer (013797)	30	Flexible hose (105750W)
8	Adaptor (057507)	19	Escutcheon (071326)	31	Alternative nuts (504003)
9	Screw (008486)	20	O-ring (004072N)	32	Allen key (031003)
10	Stem extension (110409)	21	Oil-seal (058094)		
11	Clip (012242)	22	Washer (013006)		
		23	Nut (009015)		

For additional assistance or service call

**718-302-5292**

**9am to 5pm EST Monday to Friday**



LEFROY BROOKS

[www.lefroybrooks.com](http://www.lefroybrooks.com)

LEFROY BROOKS INC, 1828 TROUTMAN STREET, RIDGEWOOD, NY, 11385  
TELEPHONE: 718-302-5292. FAX: 718-302-4177

The use of trademarks, product design and artwork is subject to licence or agreement with LBIP Ltd. The design registrations, trademark registrations and copyrights are protected by law and the use or reproduction outside the terms of an agreement is prohibited. The right to modify designs and dimensions is reserved. Christo Lefroy Brooks is a member of ACID (Anti Copying in Design).