



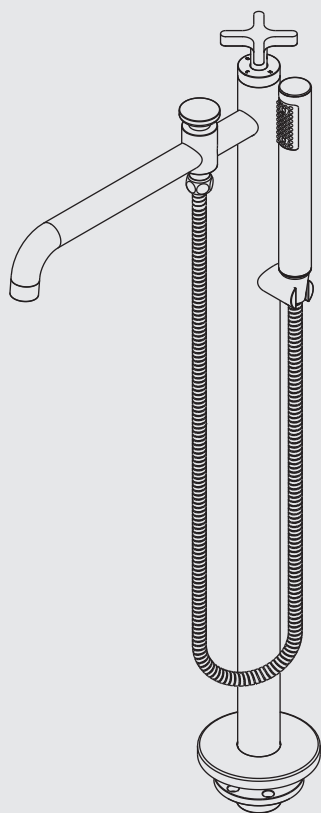
INSTALLATION INSTRUCTIONS

K1-2300

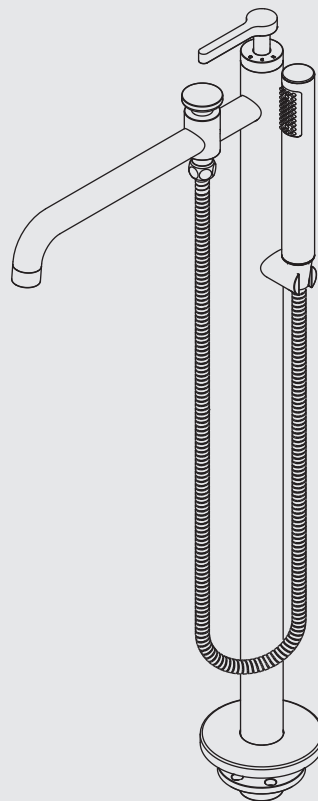
CROSS HANDLE SINGLE-LEG BATH/SHOWER MIXER TRIM ONLY, TO SUIT K1-4210 ROUGH

K1-2301

LEVER SINGLE-LEG BATH/SHOWER MIXER TRIM ONLY, TO SUIT K1-4210 ROUGH



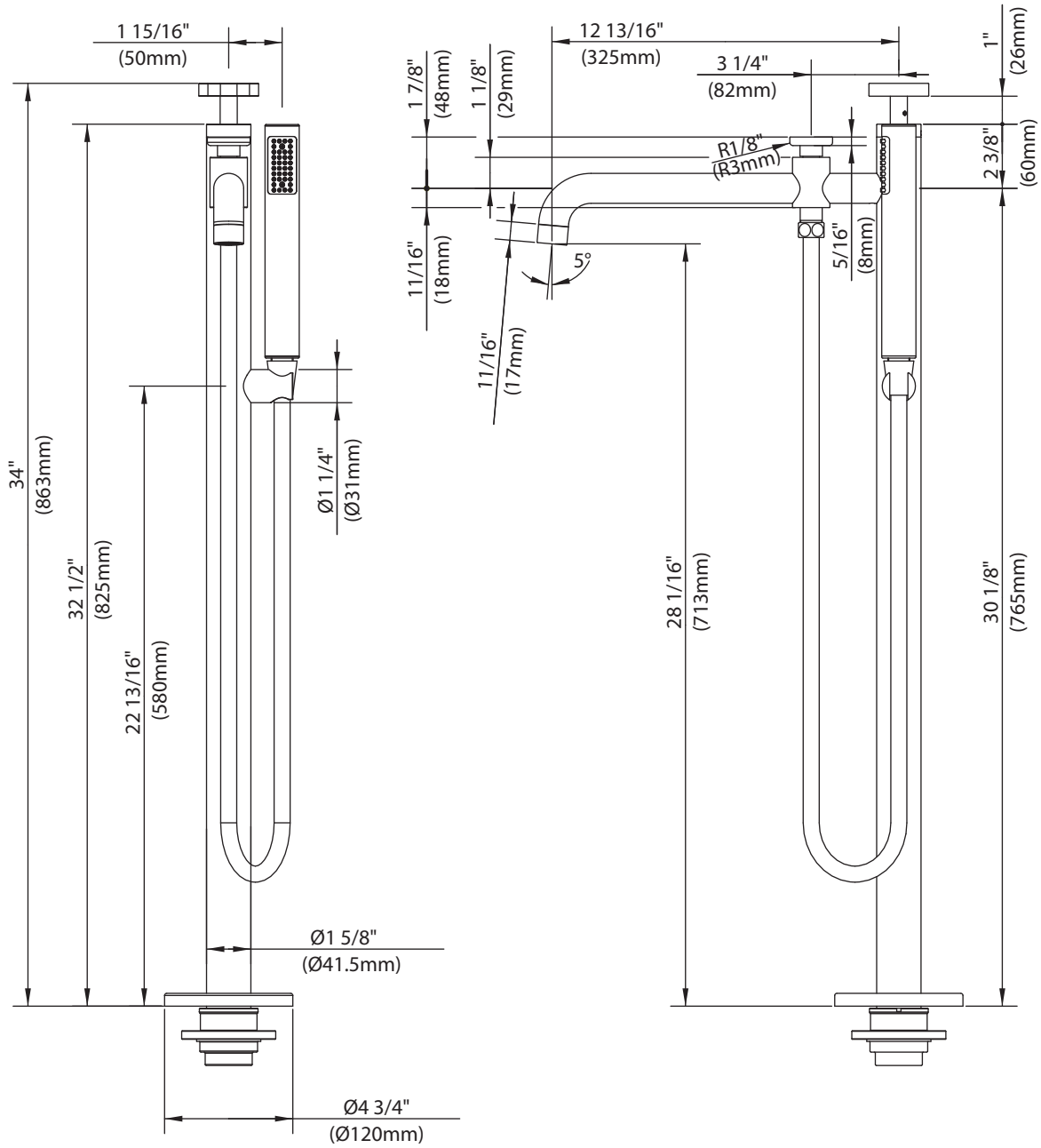
K1-2300



K1-2301

Dimensions in Inches (& Millimetres)

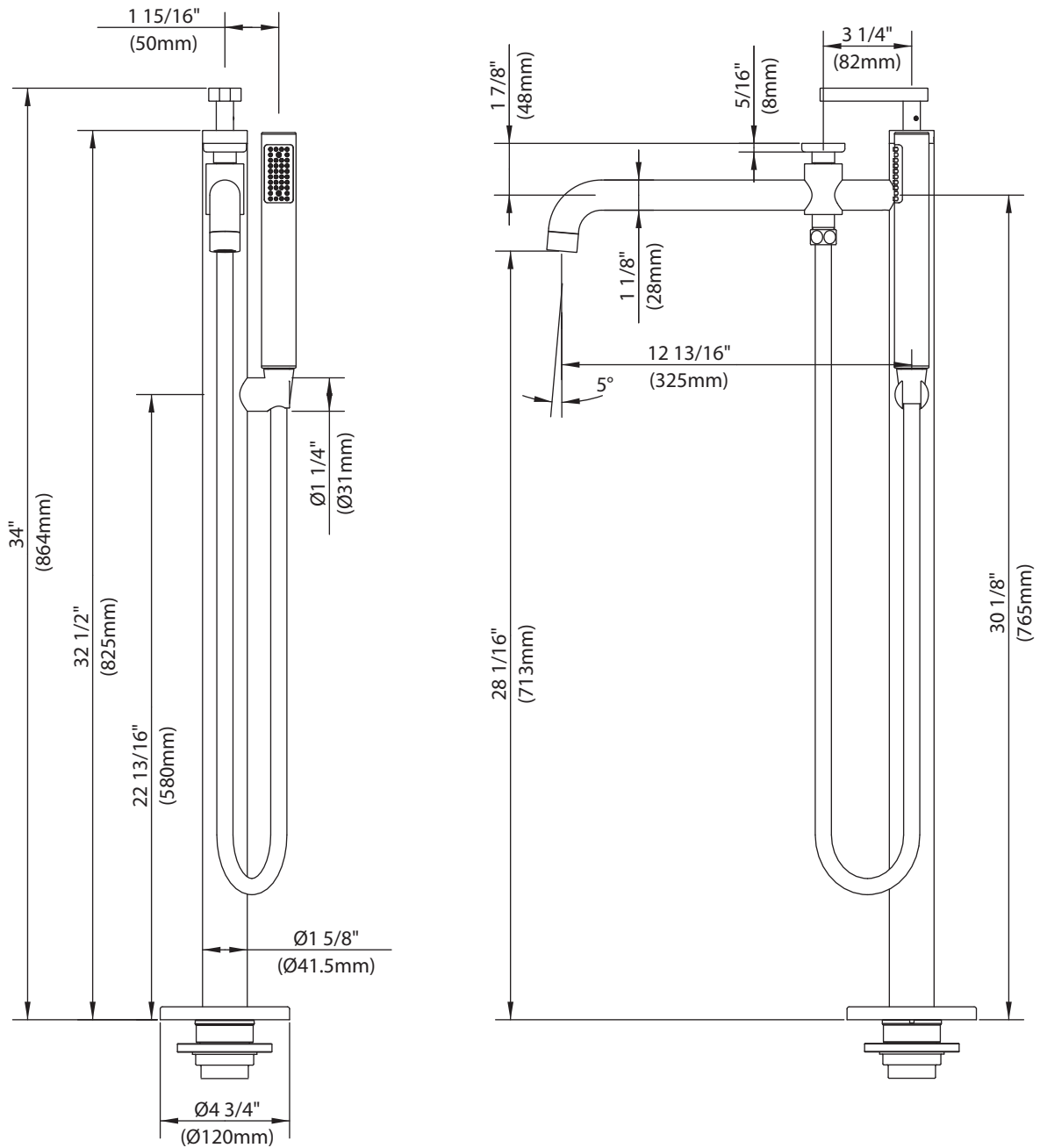
K1-2300



Whilst every effort is made to ensure accuracy, design and dimensions are subject to change without notice as part of the company's product development process.

Dimensions in Inches (& Millimetres)

K1-2301

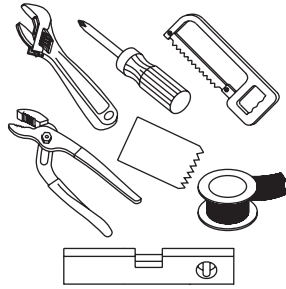


Whilst every effort is made to ensure accuracy, design and dimensions are subject to change without notice as part of the company's product development process.

What you need to know

Tools:

Adjustable Wrench
Groove Joint Pliers
Hacksaw
Phillips Screwdriver
Pipe Tape
Spatula
Spirit Level



Safety Tips

If you are soldering during faucet installation, remove cartridges, seats, gaskets and washers prior to applying flame, otherwise you will void the warranty.

Cover drain openings to avoid losing small parts.

When cutting or soldering pipe, use safety glasses to protect your eyes.

Maintenance

Your new bathroom faucet is designed for years of trouble-free performance.

Keep it looking new by cleaning it periodically with a soft cloth. Avoid abrasive cleaners, wire wool and harsh chemicals as these will dull the finish and void your warranty.

Important Points

Prior to beginning installation, turn off the cold and hot water lines and open the old faucet to release built-up pressure.

Overtightening nuts may cause damage.

Wrap all threaded connections with pipe tape available at your local plumbing supply store. Always wrap in a clockwise direction. The fittings should be installed by a state-licensed plumber.

Please note:

When there is a difference in water pressure between hot and cold supplies to the mixing valve, the pressures should be equalized by a plumber in accordance with best practice and legislation.

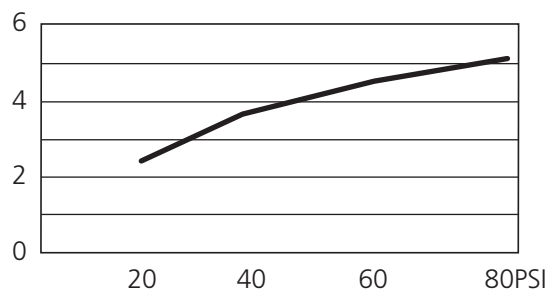
Things You May Need

Correct installation may vary depending on previous faucet installation. All necessary supplies required for faucet installation are not included, but may be found where plumbing supplies are sold. It is suggested that IAPMO and/or CSA approved plumbing supplies are used during installation.

Standards

IAPMO/cUPC Listed
Meets A112.18.1

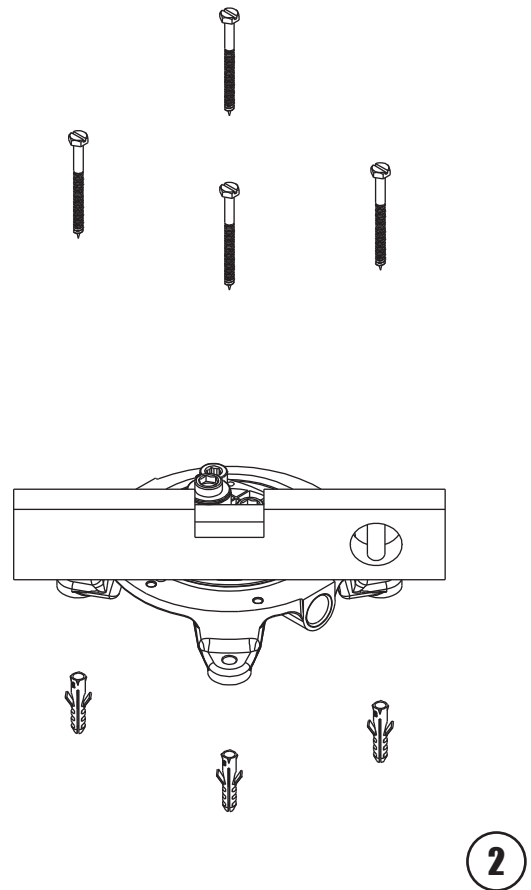
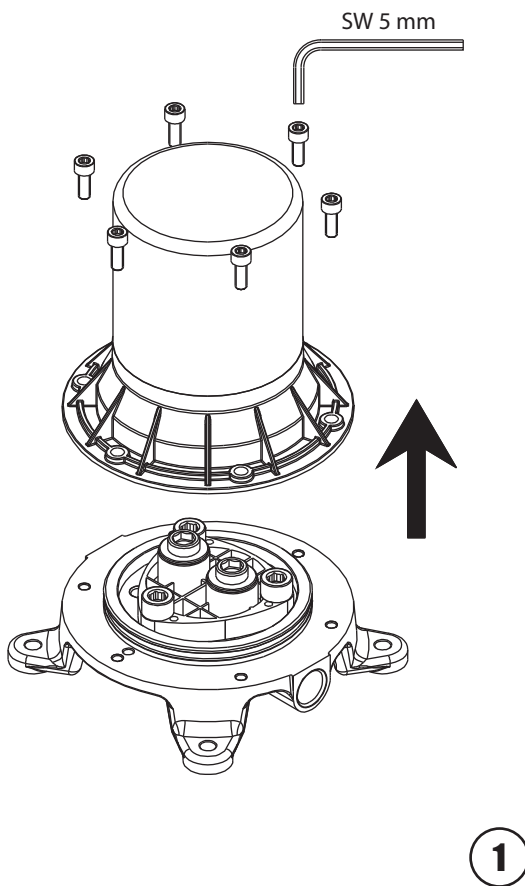
Flow Rate



Steps 1-2

Installation Procedure

Lefroy Brooks always recommends that plumbing products be installed by a licensed professional. Shut off main water supply before installation.



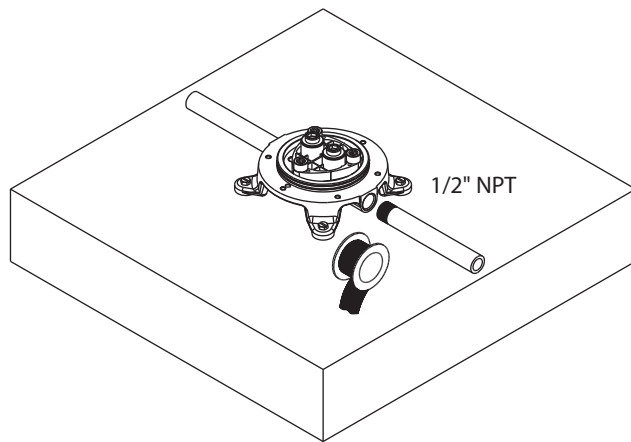
1 Use a 5 mm Allen wrench to loosen the screws, then take off the protective cap.

2 Use the body as a template to mark the position of the screw holes in the subfloor. Fasten the body to the subfloor with the screws provided. Make sure that the body is level.

Steps 3-4

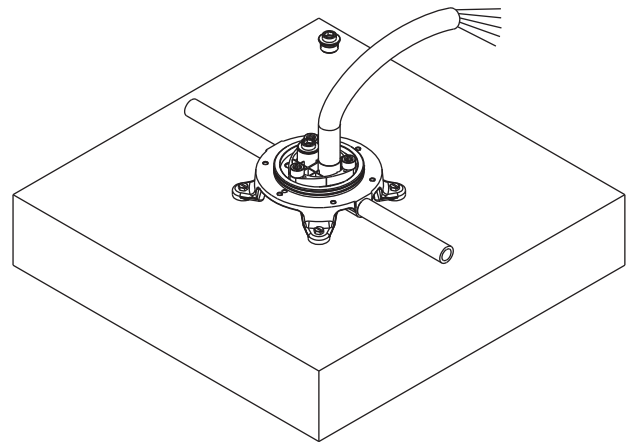
Installation Procedure

Lefroy Brooks always recommends that plumbing products be installed by a licensed professional. Shut off main water supply before installation.



3

3 Use a 5 mm Allen wrench to loosen the screws, then take off the protective cap.



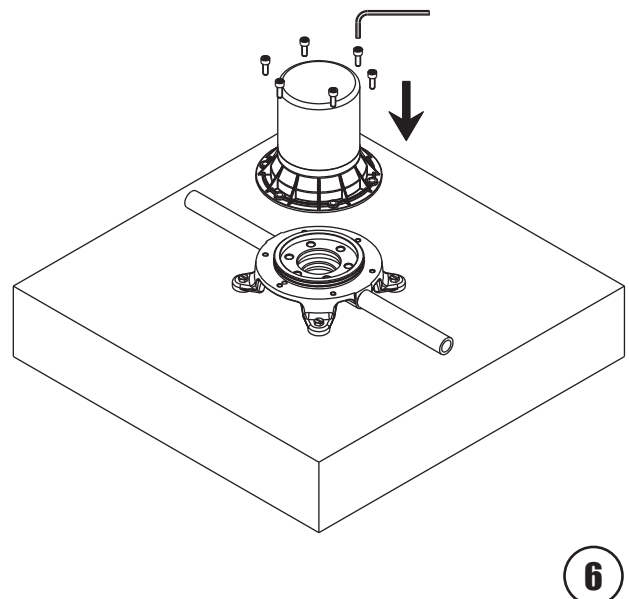
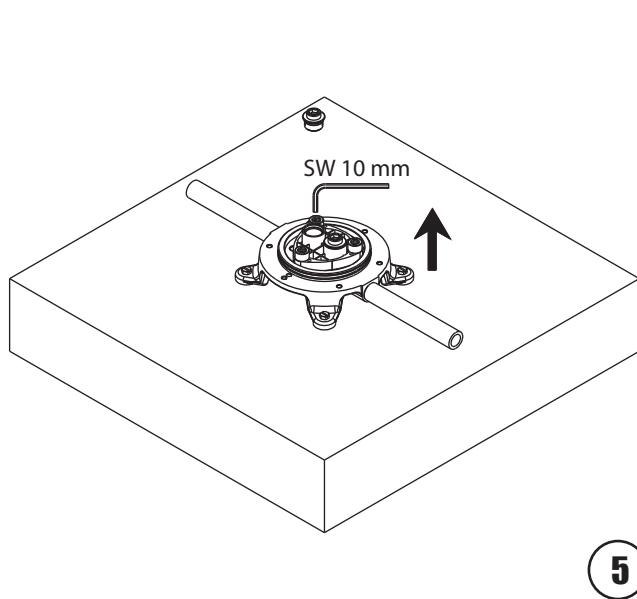
4

4 Remove the flush insert plug from the cold water side of the body. Install a hose bibb and a hose. Turn on the water and allow the line to flush thoroughly. Repeat the flushing procedure on the hot water side.

Steps 5-6

Installation Procedure

Lefroy Brooks always recommends that plumbing products be installed by a licensed professional. Shut off main water supply before installation.



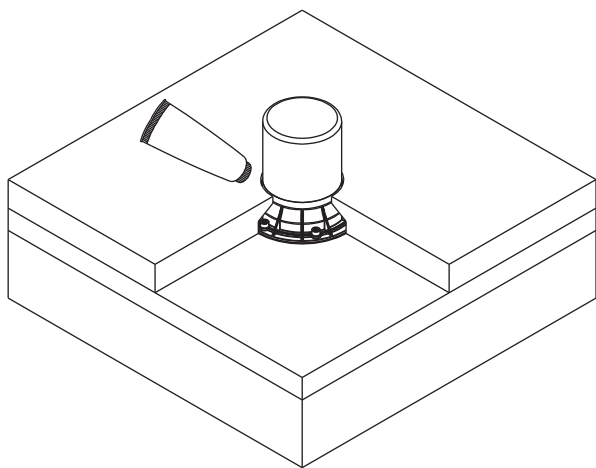
5 Use a 10 mm Allen wrench to remove the plastic body.

6 Install the protective cap. Use a 5 mm Allen wrench to tighten the screws.

Steps 7-8

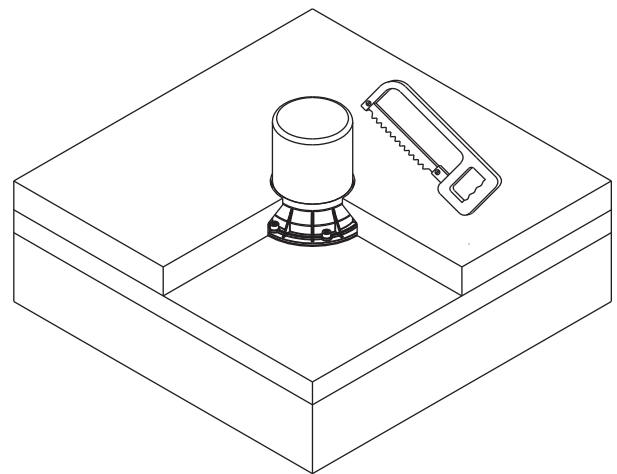
Installation Procedure

Lefroy Brooks always recommends that plumbing products be installed by a licensed professional. Shut off main water supply before installation.



7

7 Install the flooring material. Please know and follow all applicable local codes regarding waterproofing.



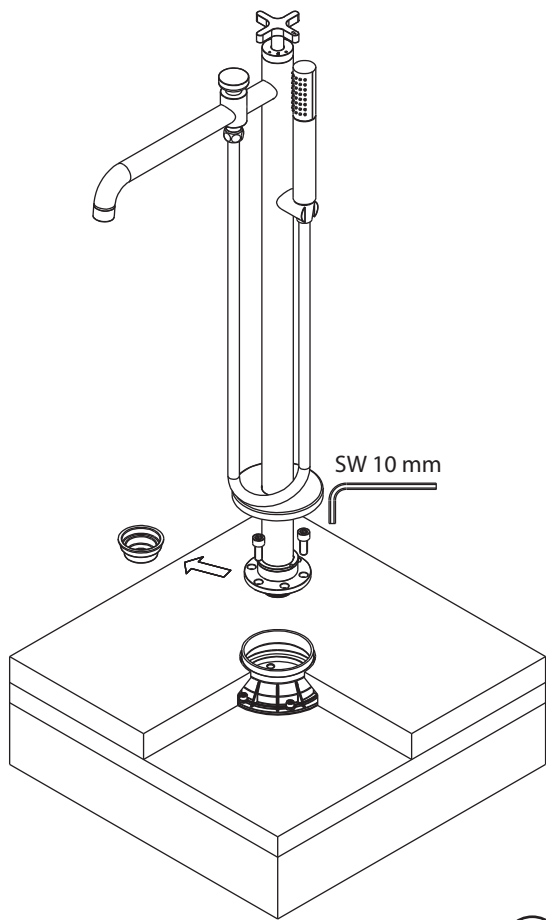
8

8 The surface of the finished floor must fall somewhere between 15mm to 90mm from the top of the protective cap. After the floor is finished, cut off the protective cap with a hack saw or reciprocating saw. Please note that the cutting point should be within 10mm height from the floor surface.

Steps 9-10

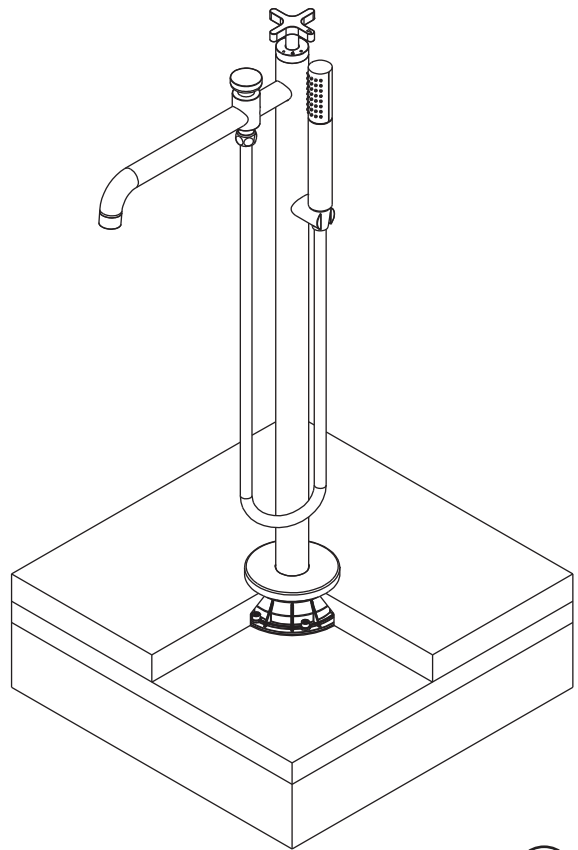
Installation Procedure

Lefroy Brooks always recommends that plumbing products be installed by a licensed professional. Shut off main water supply before installation.



9

9 Adjust the angle of the faucet and then install the faucet to the body with screws.



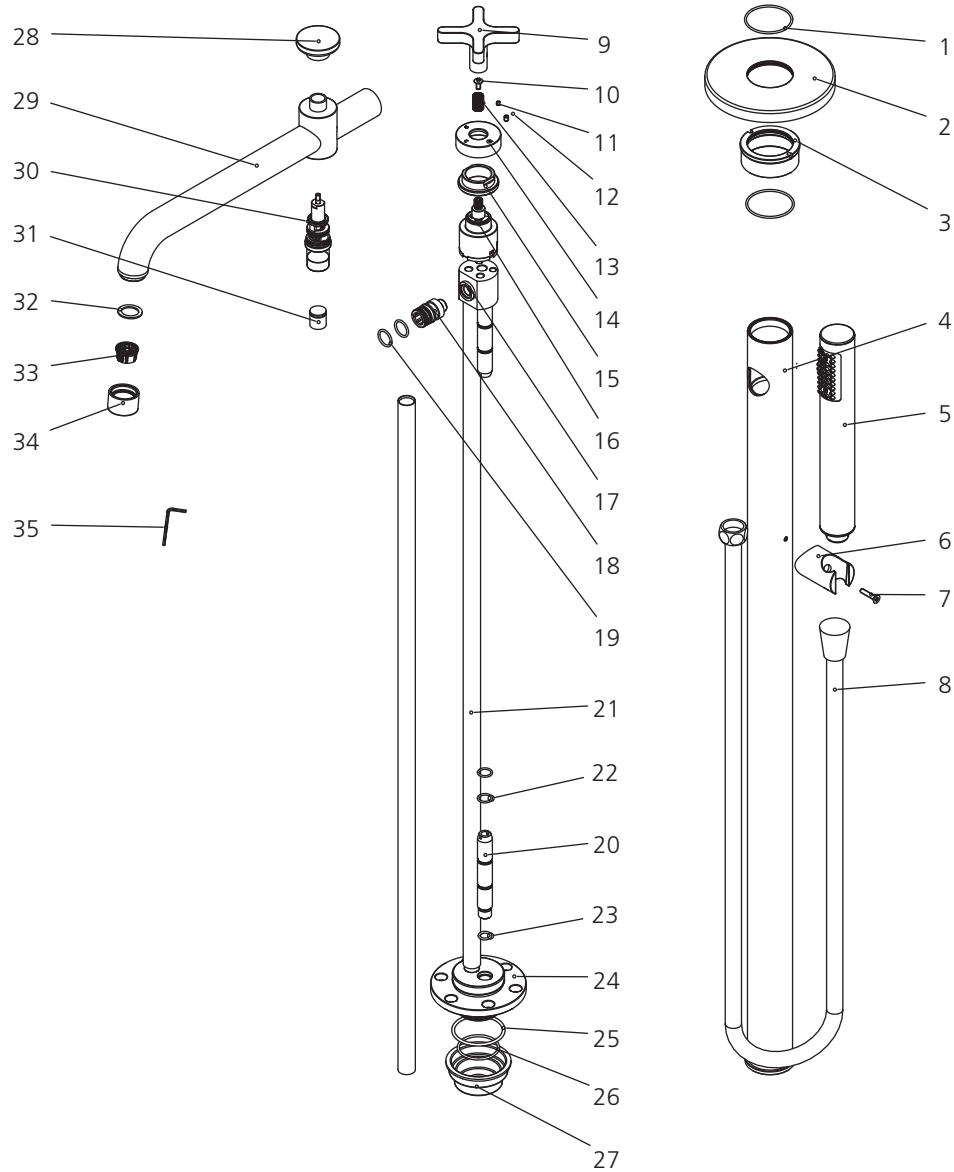
10

10 To cover the protective cap, then to do water test and finish the installation.

Exploded View

Parts List

K1-2300

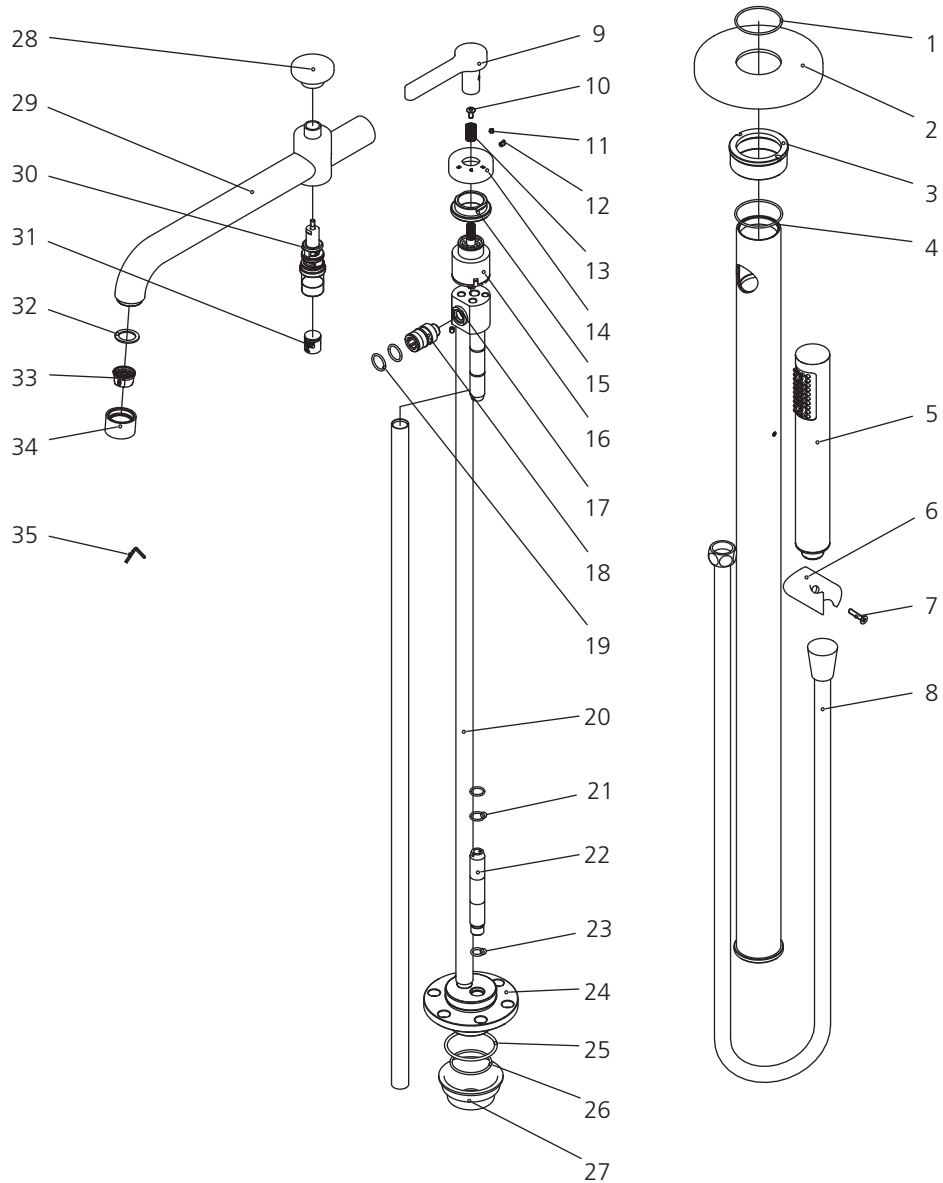


1	O-ring (072014)	13	Adapter (057673)	25	O-ring (004045N)
2	Escutcheon (019319)	14	Handle Base (215358-51)	26	O-ring (072088N)
3	Nut (009288)	15	Adjusting Ring (104257)	27	Protective Cap (045247)
4	Connection Tube (064263)	16	Cartridge (507917)	28	Button (036270)
5	Hand shower (S2111104)	17	Inside Body (066551)	29	Spout Assembly (523835)
6	Shower bracket (112424)	18	Adapter (067927)	30	Diverter (501364)
7	Screw (008734)	19	O-ring (072016)	31	Backflow Preventer (519208)
8	Shower hose (105681)	20	Internal Pipe (052130)	32	Oil seal (010899)
9	Handle (506079)	21	O-ring (048085)	33	Aerator insert (114237R)
10	Screw (065172)	22	Adapter (067928)	34	Aerator Housing (305781)
11	Screw (008772)	23	O-ring (004509N)	35	Allen Key (031003)
12	Set screw (008191)	24	Body (076701)		

Exploded View

Parts List

K1-2301



1	O-ring (072014)	13	Adapter (057673)	25	O-ring (004045N)
2	Escutcheon (019319)	14	Handle Base (215358-50)	26	O-ring (072088N)
3	Nut (009288)	15	Adjusting Ring (104257)	27	Protective Cap (045247)
4	Connection Tube (064263)	16	Cartridge (507859N)	28	Button (036270)
5	Hand shower (S2111104)	17	Inside Body (066551)	29	Spout Assembly (523835)
6	Shower bracket (112424)	18	Adapter (067927)	30	Diverter (501364)
7	Screw (008734)	19	O-ring (072016)	31	Backflow Preventer (519208)
8	Shower hose (105681)	20	Internal Pipe (052130)	32	Oil seal (010899)
9	Handle (506078)	21	O-ring (048085)	33	Aerator insert (114237R)
10	Screw (065172)	22	Adapter (067928)	34	Aerator Housing (305781)
11	Screw (008772)	23	O-ring (004509N)	35	Allen Key (031003)
12	Set screw (008191)	24	Body (076701)		

For additional assistance or service call

718-302-5292

9am to 5pm EST Monday to Friday



L E F R O Y B R O O K S

www.lefroybrooks.com

LEFROY BROOKS INC, 1828 TROUTMAN STREET, RIDGEWOOD, NY, 11385
TELEPHONE: 718-302-5292. FAX: 718-302-4177

The use of trademarks, product design and artwork is subject to licence or agreement with LBIP Ltd. The design registrations, trademark registrations and copyrights are protected by law and the use or reproduction outside the terms of an agreement is prohibited. The right to modify designs and dimensions is reserved. Christo Lefroy Brooks is a member of ACID (Anti Copying in Design).

© LBIP LTD 2012