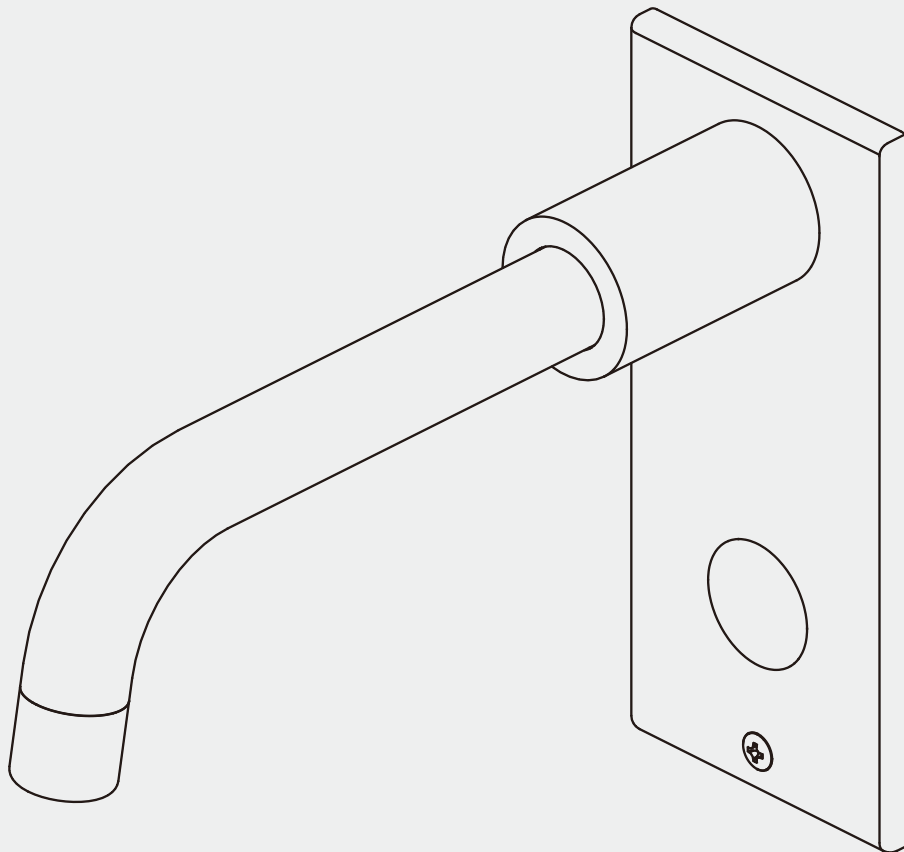


INSTALLATION INSTRUCTIONS

K1-1301

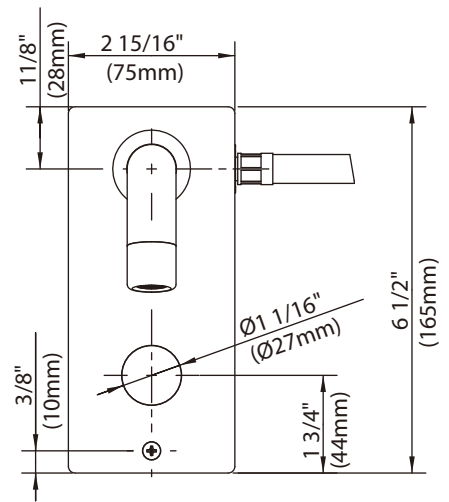
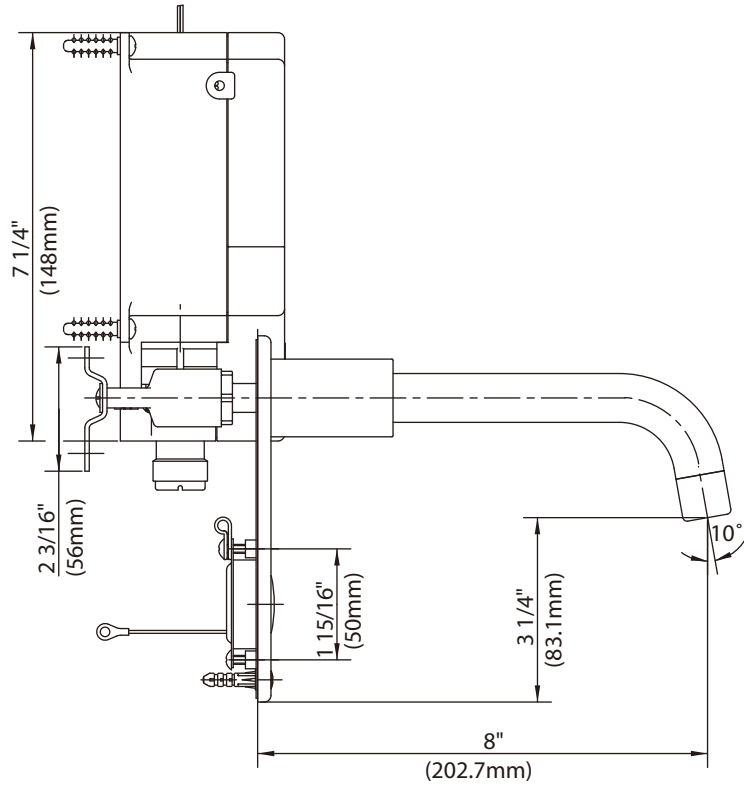
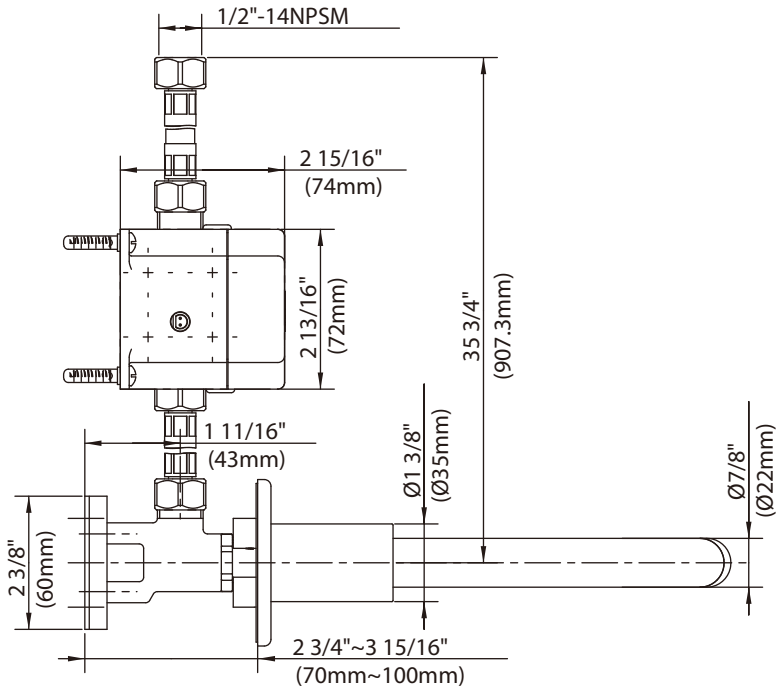
WALL HANDS-FREE ELECTRONIC BASIN FAUCET



LEFROY BROOKS

Dimensions in Inches (& Millimetres)

K1-1301

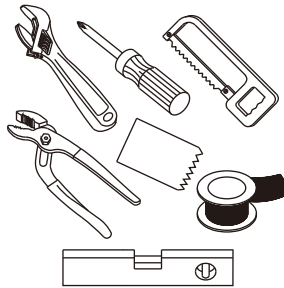


Whilst every effort is made to ensure accuracy, design and dimensions are subject to change without notice as part of the company's product development process.

What you need to know

Tools:

Adjustable Wrench
Groove Joint Pliers
Hacksaw
Phillips Screwdriver
Pipe Tape
Spatula
Spirit Level



Safety Tips

If you are soldering during faucet installation, remove cartridges, seats, gaskets and washers prior to applying flame, otherwise you will void the warranty.

Cover drain openings to avoid losing small parts.

When cutting or soldering pipe, use safety glasses to protect your eyes.

Things You May Need

Correct installation may vary depending on previous faucet installation. All necessary supplies required for faucet installation are not included, but may be found where plumbing supplies are sold. It is suggested that IAPMO and/or CSA approved plumbing supplies are used during installation.

Standards

IAPMO/cUPC Listed
Meets A112.18.1
ADA Compliant

Maintenance

Your new bathroom faucet is designed for years of trouble-free performance.

Keep it looking new by cleaning it periodically with a soft cloth. Avoid abrasive cleaners, wire wool and harsh chemicals as these will dull the finish and void your warranty.

Important Points

Prior to beginning installation, turn off the cold and hot water lines and open the old faucet to release built-up pressure.

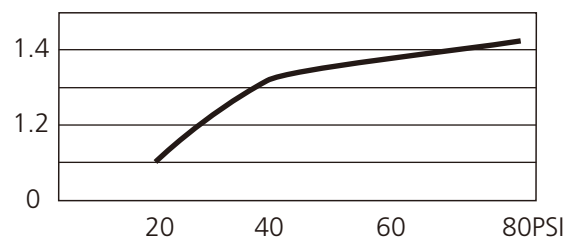
Overtightening nuts may cause damage.

Wrap all threaded connections with pipe tape available at your local plumbing supply store. Always wrap in a clockwise direction. The fittings should be installed by a state-licensed plumber.

Please note:

When there is a difference in water pressure between hot and cold supplies to the mixing valve, the pressures should be equalized by a plumber in accordance with best practice and legislation.

Flow Rate

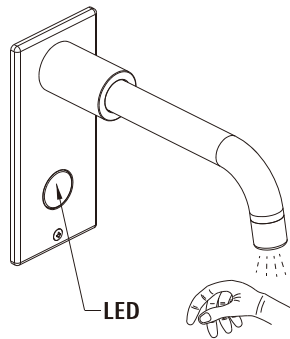


Sensor Power On Procedure

Please read this chapter carefully and make sure you understand before you start the installation.

1. The optimum detective range has been set up already. In general circumstance, you do not need to set or adjust it again.
2. Before connect power supply to start using Sensor, you must keep front or surrounding of Faucet and Sensor empty to make sure there is no unexpected detection.
3. As soon as you are ready to connect power supply (Installation step-6), please make sure the following steps are certainly implemented by Sensor. Then you can feel free to use Sensor smoothly and normally.

6 seconds after power supply is connected ---> LED light on for another 6 seconds ---> LED light off
---> normal function.



4. In case you need to adjust detective range for particular circumstance, please refer to another chapter - Detective Range Adjust Procedure.

Detective Range Adjust Procedure

Please read this chapter carefully and make sure you understand before you start the installation.

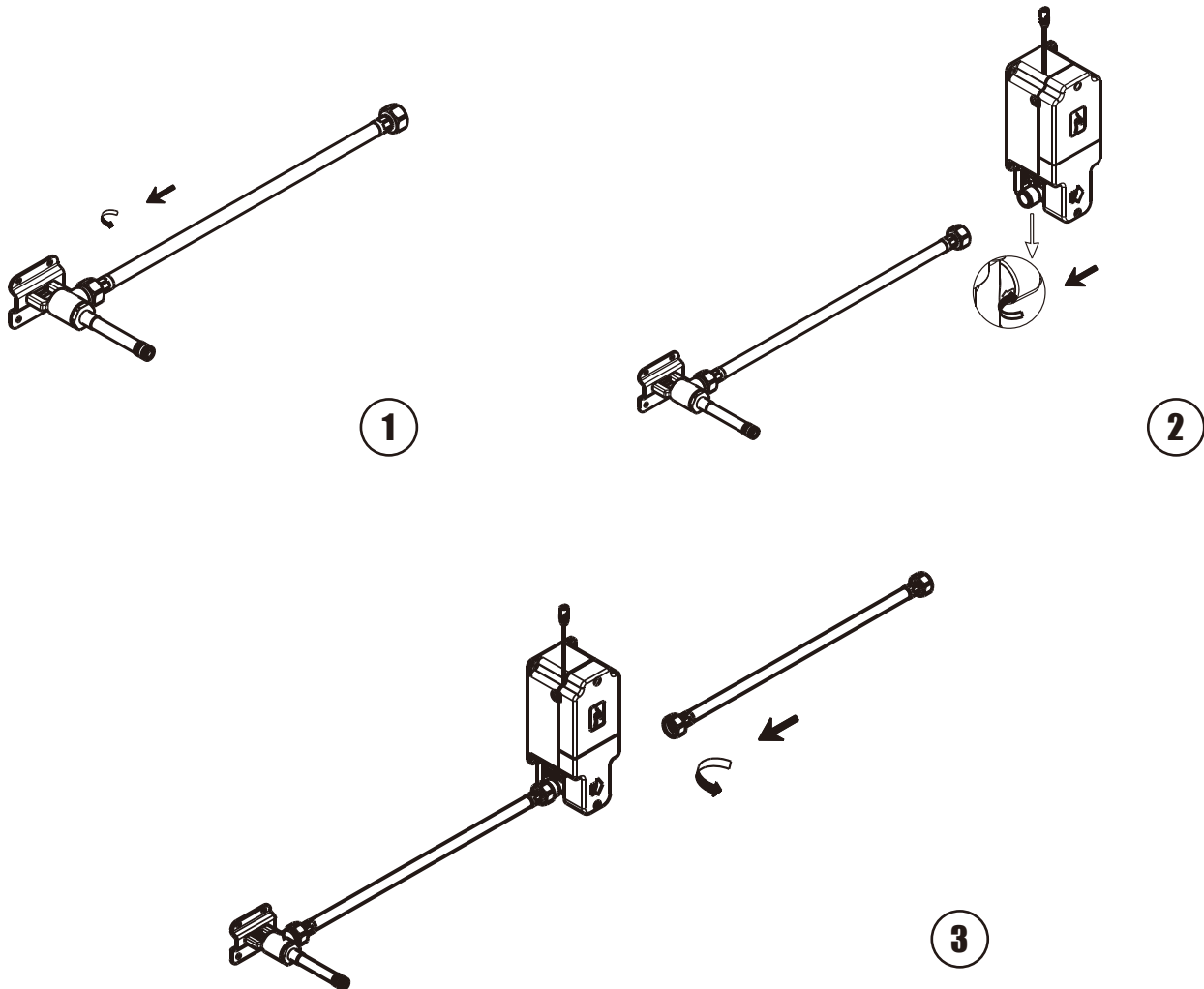
1. Firstly, implement the Sensor Power On Procedure step 1~2.
2. As soon as you are ready to connect power supply (Installation step-6), please make sure the following steps to manually set up Detective Range are certainly implemented. Then you can feel free to use Sensor smoothly and normally.

Within 6 seconds after power supply is connected, put hand stably at the desired location in front of Sensor until LED light on-->LED light flashes 3 times-->LED light off-->normal function.

Steps 1-3

Installation Procedure

Lefroy Brooks always recommends that plumbing products be installed by a licensed professional. Shut off main water supply before installation.



1 Connect Flexible Hose to Rough inlet.

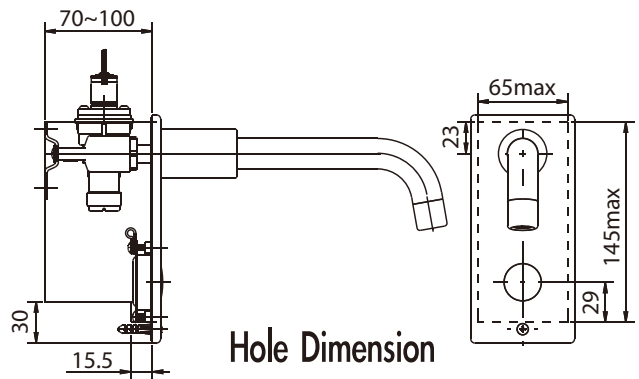
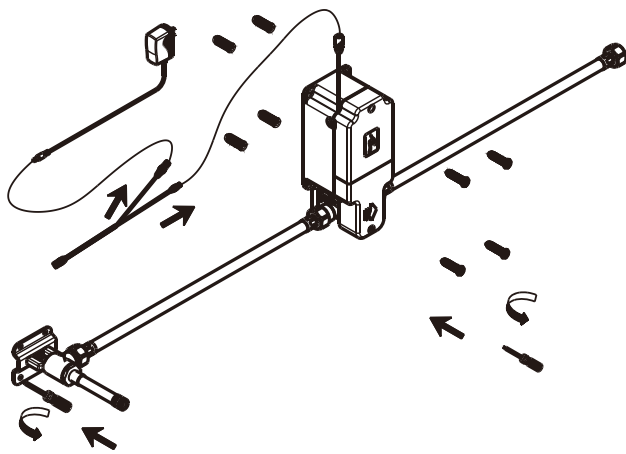
2 Connect Flexible Hose to Solenoid Valve. Please make sure that you connect to the correct end of Solenoid Valve which is with marks of arrow at the two ends points the flow direction.

3 Connect another Flexible Hose 3 to Solenoid Valve.

Steps 4

Installation Procedure

Lefroy Brooks always recommends that plumbing products be installed by a licensed professional. Shut off main water supply before installation.



4

4 Turn on water valve to remove any leftover debris. Then turn off water valve and connect the Flexible Hose to water supply. Install the protective box onto wall.

Connect Connection Cable Assembly (2 pin, male) to the lead from Solenoid Valve (2 pin, female).

Connect power supply wire from AC Adaptor to Connection Cable Assembly.

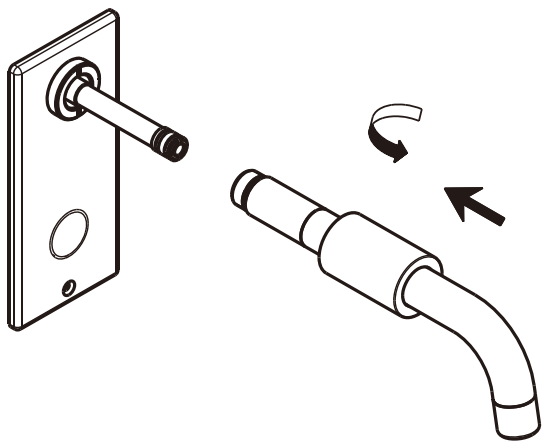
Plug AC Adaptor to power supply. (We assumed power supply is inside the cave)

Install Rough Assembly to inwall with screw. Please leave the Cable Assembly (4 pin, female) outside the cave temporarily for connecting with the lead from Sensor Module in further step.

Steps 5-6

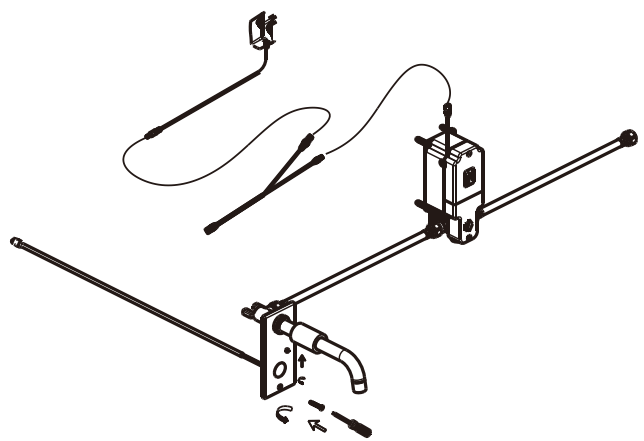
Installation Procedure

Lefroy Brooks always recommends that plumbing products be installed by a licensed professional. Shut off main water supply before installation.



5

5 Connect Spout to Front Panel.



6

6 Connect Connection Cable Assembly (4 pin, female) to the lead from Sensor Module. At the same time, please refer to the chapter - Sensor Power On Procedure and implement its steps otherwise the detective range may be influenced by any unexpected detection.

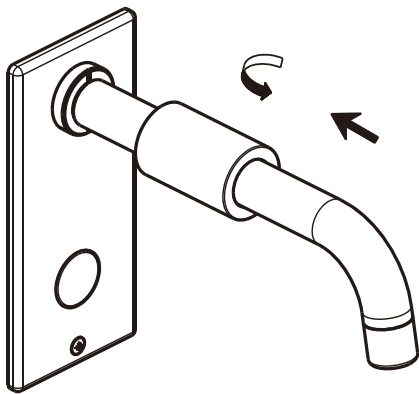
Install Front Panel and Spout assembly to Connection Tube from Rough. Please make sure that all connections are put in order inside cave to prevent Front Panel from pressing any connection.

Fix Front Panel with screw, and fix Spout with Set Screw.

Steps 7-8

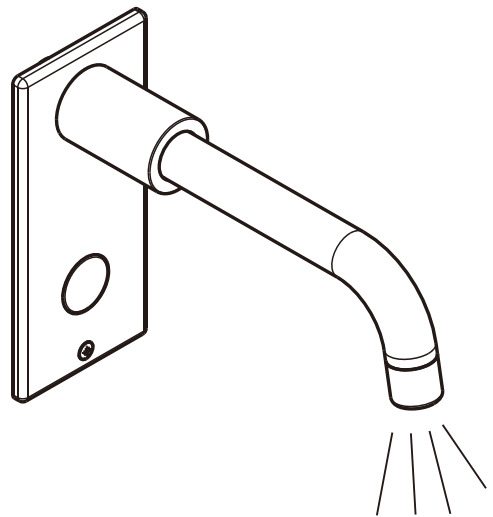
Installation Procedure

Lefroy Brooks always recommends that plumbing products be installed by a licensed professional. Shut off main water supply before installation.



7

7 Fix Canopy in place.



8

8 Installation finish.

Trouble-Shooting

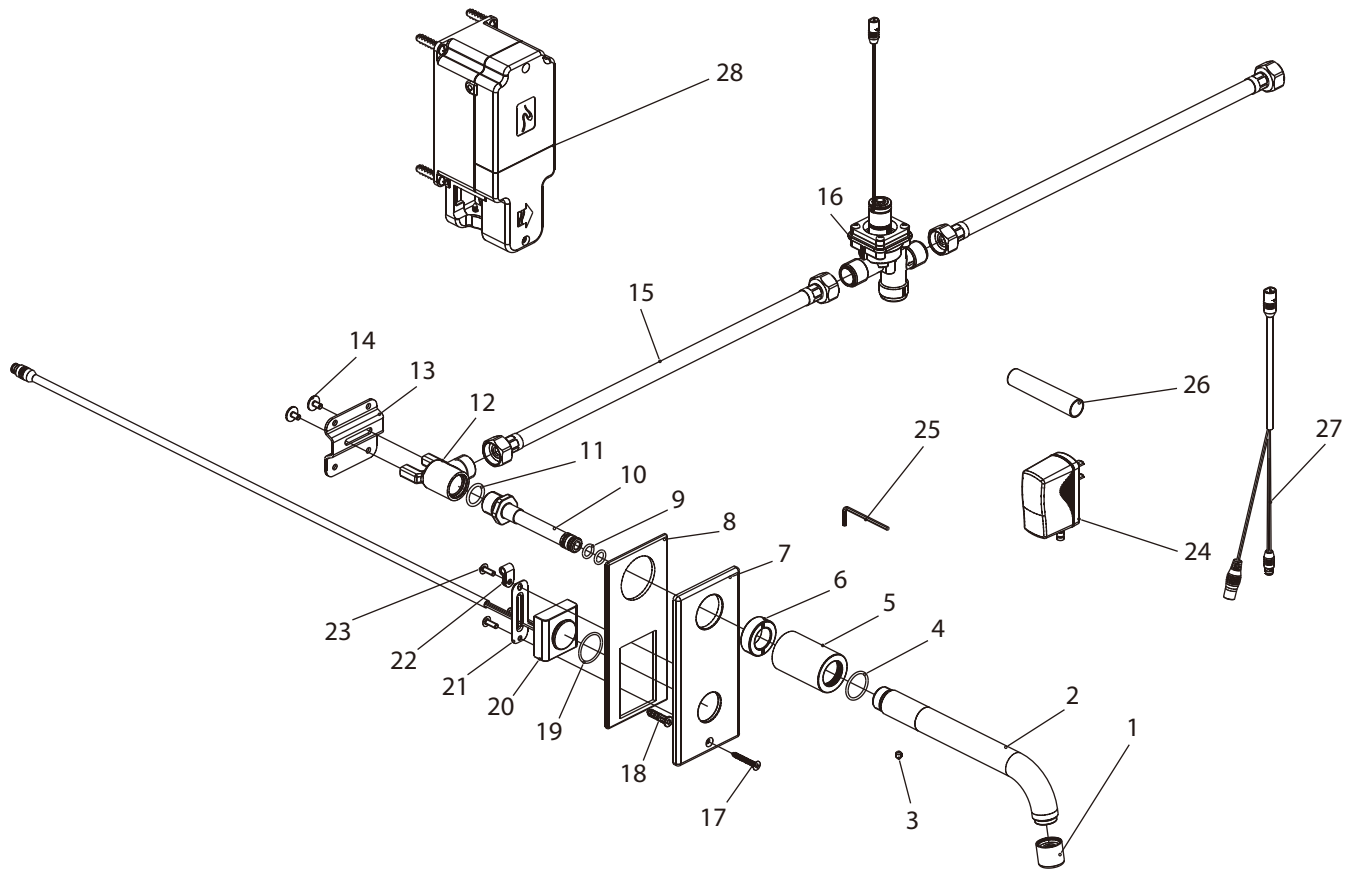
If you've followed the instructions carefully and your faucet still does not work properly, take these corrective steps:

PROBLEM	CAUSE	ACTION
Aerator (1) leaks or has an inconsistent water flow pattern.	Aerator (1) is dirty or misfitted.	Unscrew the aerator (1) to check rubber packing. Re-assemble the aerator.
Sensor does not response and red light is continuously on when the Sensor Power On Procedure is implementing	There is some unexpected object within detective scope.	Check if any unexpected object in the detective scope and remove it Such as tools, mirror ... and so on.
Before power supply is connected, the water flows continuously when the water valve is turned on.	Plunger of Solenoid Valve should keep close when Sensor is not detecting. The Plunger may be accidentally opened due to being shook in transportation.	See installation procedures to connect Connection Cable Assembly well and power supply. As soon as the power is connected, the Solenoid Valve will close the Plunger itself.
Sensor is connected with Solenoid Valve and power supply. When the water valve is turned on, the water flows continuously without object within the detection range.	The Plunger of Solenoid Valve keeps open abnormally because it is obstruct by debris or faulty Sensor.	Firstly change a new Solenoid Valve. If the water still flows continuously, then change a new Sensor.
The default detection range is not desirable for your use.	The default detection range maybe not satisfied for some particular circumstance.	Please refer to the chapter – Detective Range Adjust Procedure.

Exploded View

Parts List

K1-1301



1	Aerator assembly (500951N)	11	O-ring (004010N)	21	Fixing plate (120282)
2	Spout assembly (139646W)	12	Body (002629W)	22	Cable P-clip (540286)
3	Set screw (008198)	13	Fixing plate (120283)	23	Screw (008063)
4	O-ring (004007)	14	Screw (008013)	24	Plug-in adaptor (540484)
5	Canopy (018965)	15	Flexible hose (105540N)	25	Allen wrench (031000)
6	Adaptor (067461)	16	Solenoid valve (540082N)	26	Protective cap (045160)
7	Front panel (007641)	17	Screw (292615)	27	Connetion cable assembly (540373)
8	Seal (010947)	18	Fixing anchor bolt (291001)	28	Protective box assembly (A66G020)
9	O-ring (004026N)	19	O-ring (004006N)		
10	Connection tube (039443W)	20	Sensor module (546112)		

For additional assistance or service call

718-302-5292

9am to 5pm EST Monday to Friday



LEFROY BROOKS

www.lefroybrooks.com

LEFROY BROOKS INC, 1828 TROUTMAN STREET, RIDGEWOOD, NY, 11385
TELEPHONE: 718-302-5292. FAX: 718-302-4177

The use of trademarks, product design and artwork is subject to licence or agreement with LBIP Ltd. The design registrations, trademark registrations and copyrights are protected by law and the use or reproduction outside the terms of an agreement is prohibited. The right to modify designs and dimensions is reserved. Christo Lefroy Brooks is a member of ACID (Anti Copying in Design).

© LBIP LTD 2012