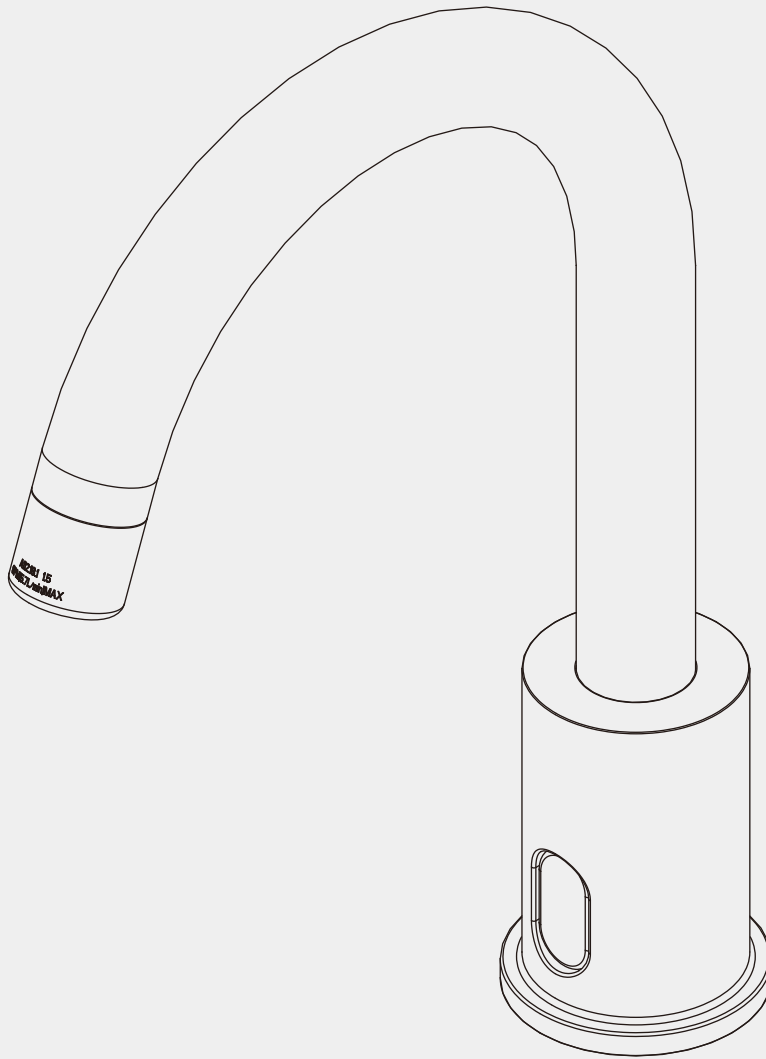


INSTALLATION INSTRUCTIONS

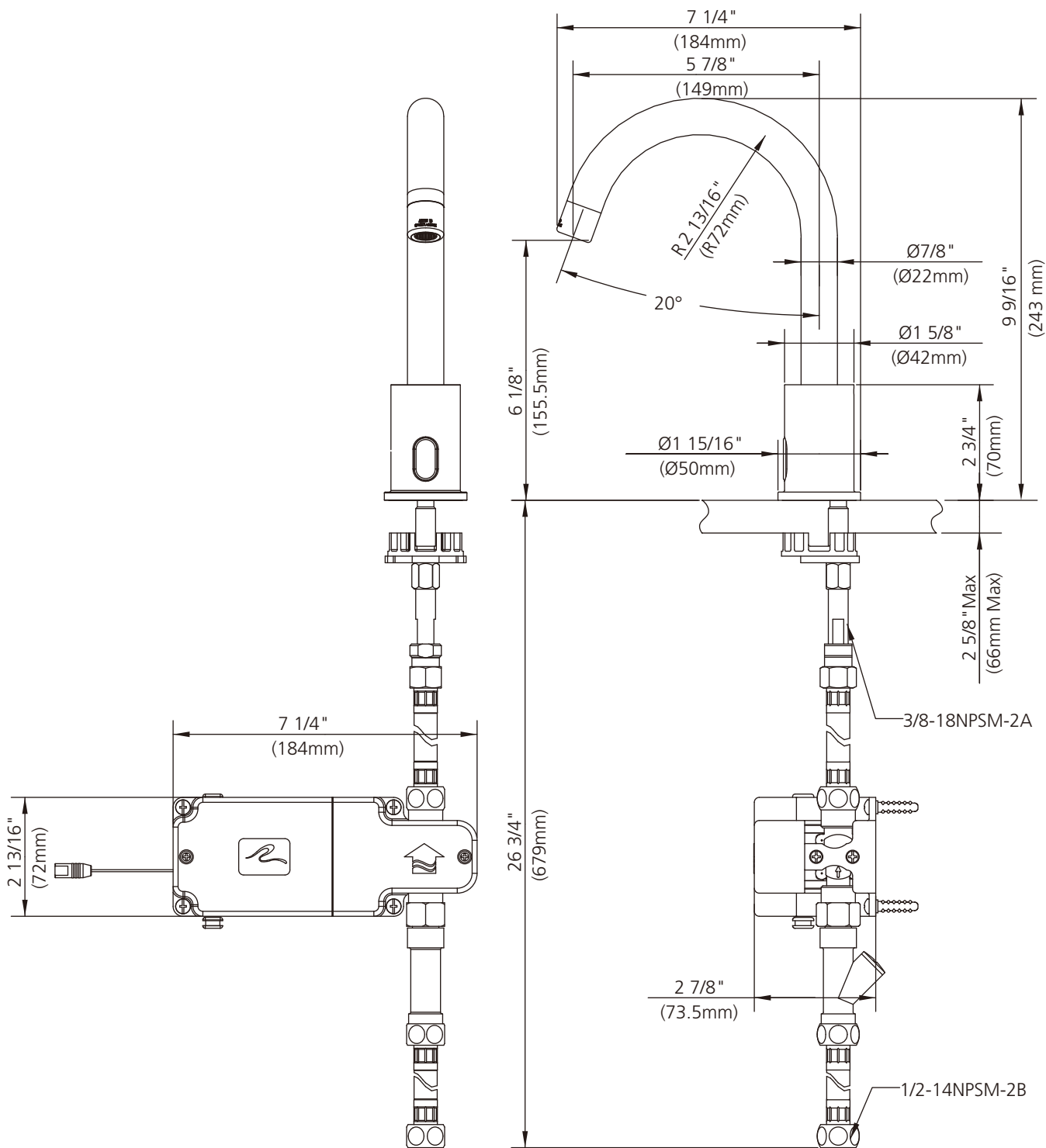
K1-1300

DECK HANDS-FREE ELECTRONIC BASIN FAUCET



LEFROY BROOKS

Dimensions in Inches (& Millimetres)

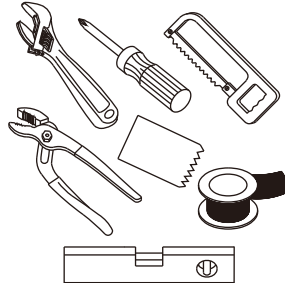


Whilst every effort is made to ensure accuracy, design and dimensions are subject to change without notice as part of the company's product development process.

What you need to know

Tools:

Adjustable Wrench
Groove Joint Pliers
Hacksaw
Phillips Screwdriver
Pipe Tape
Spatula
Spirit Level



Maintenance

Your new bathroom faucet is designed for years of trouble-free performance.

Keep it looking new by cleaning it periodically with a soft cloth. Avoid abrasive cleaners, wire wool and harsh chemicals as these will dull the finish and void your warranty.

Safety Tips

If you are soldering during faucet installation, remove cartridges, seats, gaskets and washers prior to applying flame, otherwise you will void the warranty.

Cover drain openings to avoid losing small parts.

When cutting or soldering pipe, use safety glasses to protect your eyes.

Important Points

Prior to beginning installation, turn off the cold and hot water lines and open the old faucet to release built-up pressure.

Overtightening nuts may cause damage.

Wrap all threaded connections with pipe tape available at your local plumbing supply store. Always wrap in a clockwise direction. The fittings should be installed by a state-licensed plumber.

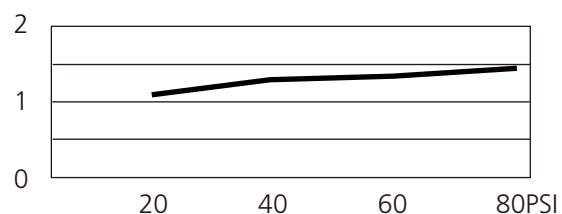
Things You May Need

Correct installation may vary depending on previous faucet installation. All necessary supplies required for faucet installation are not included, but may be found where plumbing supplies are sold. It is suggested that IAPMO and/or CSA approved plumbing supplies are used during installation.

Standards

IAPMO/cUPC Listed
Meets A112.18.1
ADA Compliant

Flow Rate



Please note :

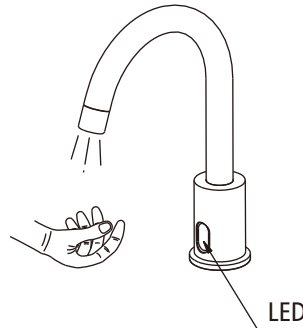
Final achievable flow rate is dependent on the outlets fitted, see relevant outlets (spouts, roses, sprays) for fully assembled product flow rate.

Sensor Power On Procedure

Please read this chapter carefully and make sure you understand before you start the installation.

1. The optimum detection range has been set up already. In general circumstances, you do not need to set or adjust it again.
2. Before connecting the power supply to start the sensor, you must keep the front & surrounding area of the faucet clear, to make sure there is no unexpected detection.
3. As soon as you are ready to connect the power supply (Installation step-7), please make sure the following steps are implemented by the sensor. Then afterwards you can feel confident to use the sensor smoothly and normally

6 seconds after power supply is connected ---> LED light on for another 6 seconds ---> LED light off ---> normal function.



4. In case you need to adjust the detection range for any particular circumstance, please refer to the next chapter below:

Detection Range Adjustment Procedure

Please read this chapter carefully and make sure you understand before you start the installation.

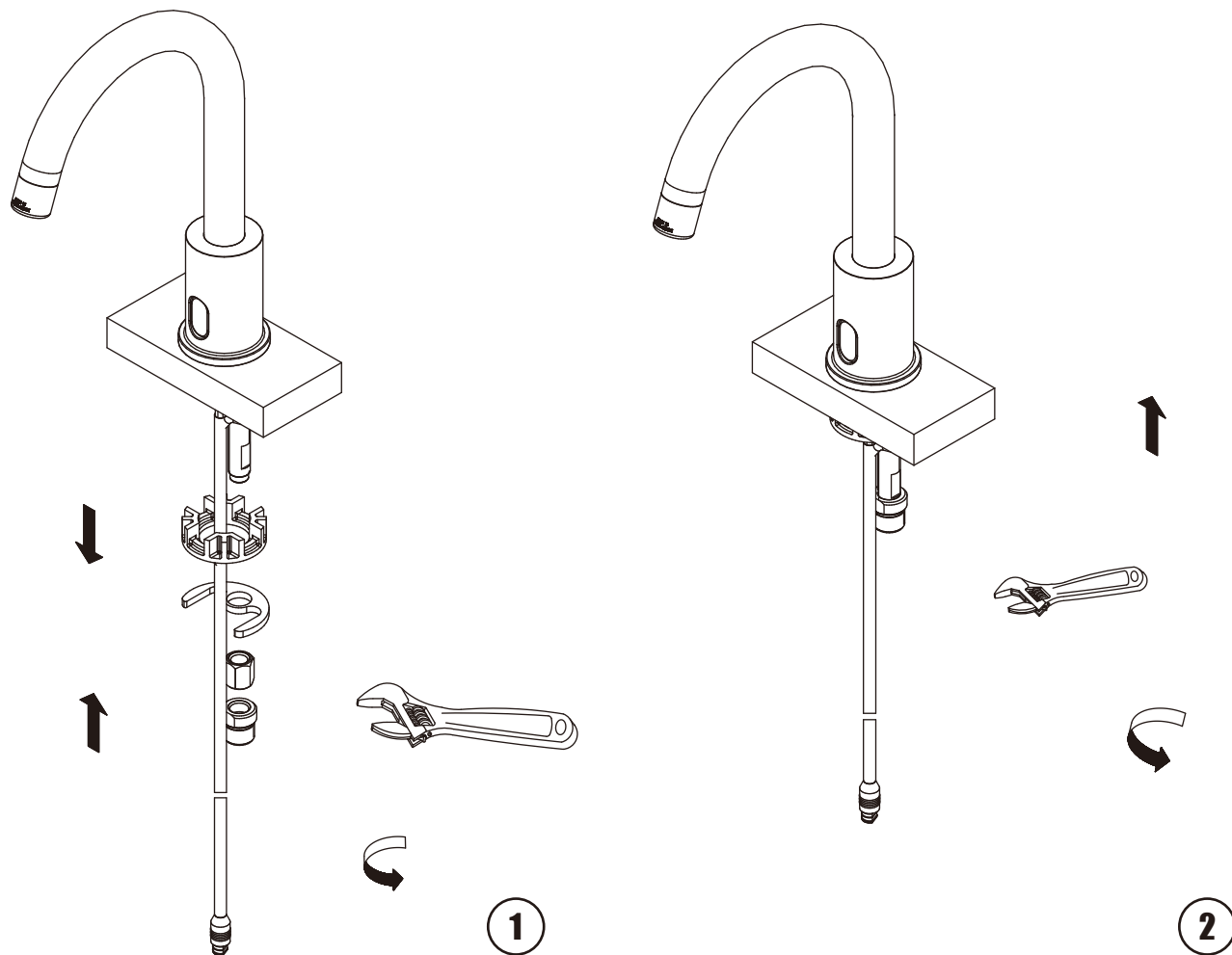
1. Firstly, implement the Sensor Power On Procedure step 1~2.
2. As soon as you are ready to connect power supply (Installation step-7), please make sure the following steps to manually set up Detection Range are implemented. Then you can feel free to use Sensor smoothly and normally.

Within 6 seconds after power supply is connected, place hand firmly in the desired location in front of the sensor until the LED light comes on-->LED light flashes 3 times-->LED light off-->normal function.

Steps 1-2

Installation Procedure

Lefroy Brooks always recommends that plumbing products be installed by a licensed professional. Shut off main water supply before installation.



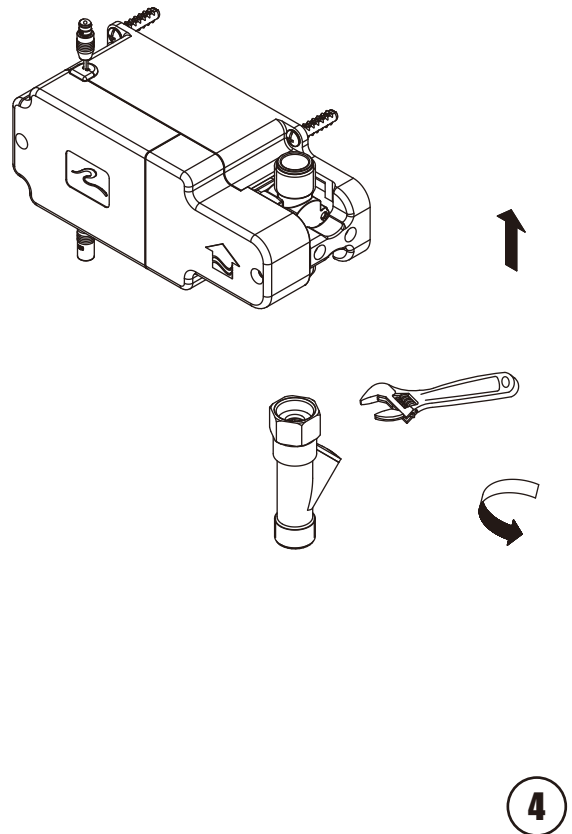
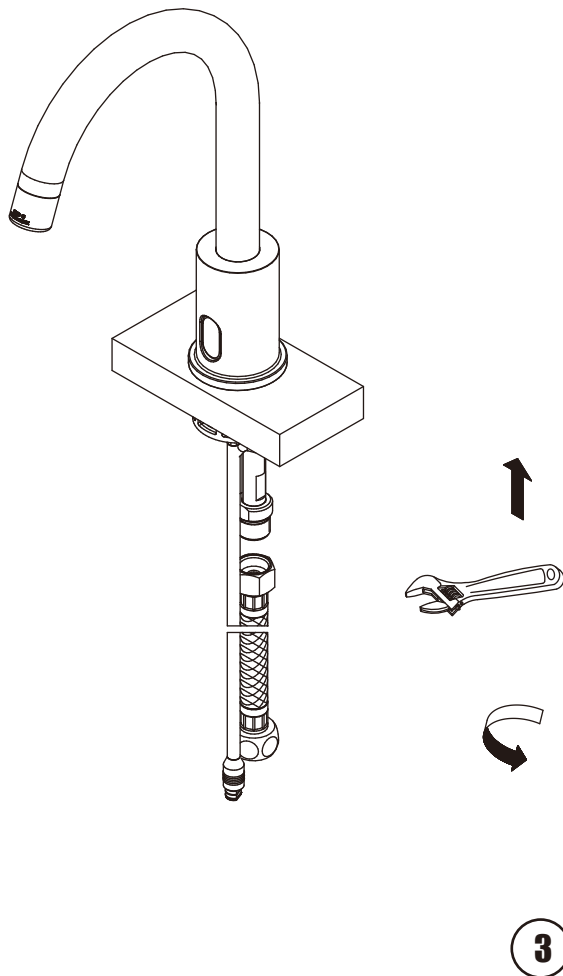
1 Fix the faucet to deck.

2 Fix the adaptor tightly to ensure sealing.

Steps 3-4

Installation Procedure

Lefroy Brooks always recommends that plumbing products be installed by a licensed professional. Shut off main water supply before installation.



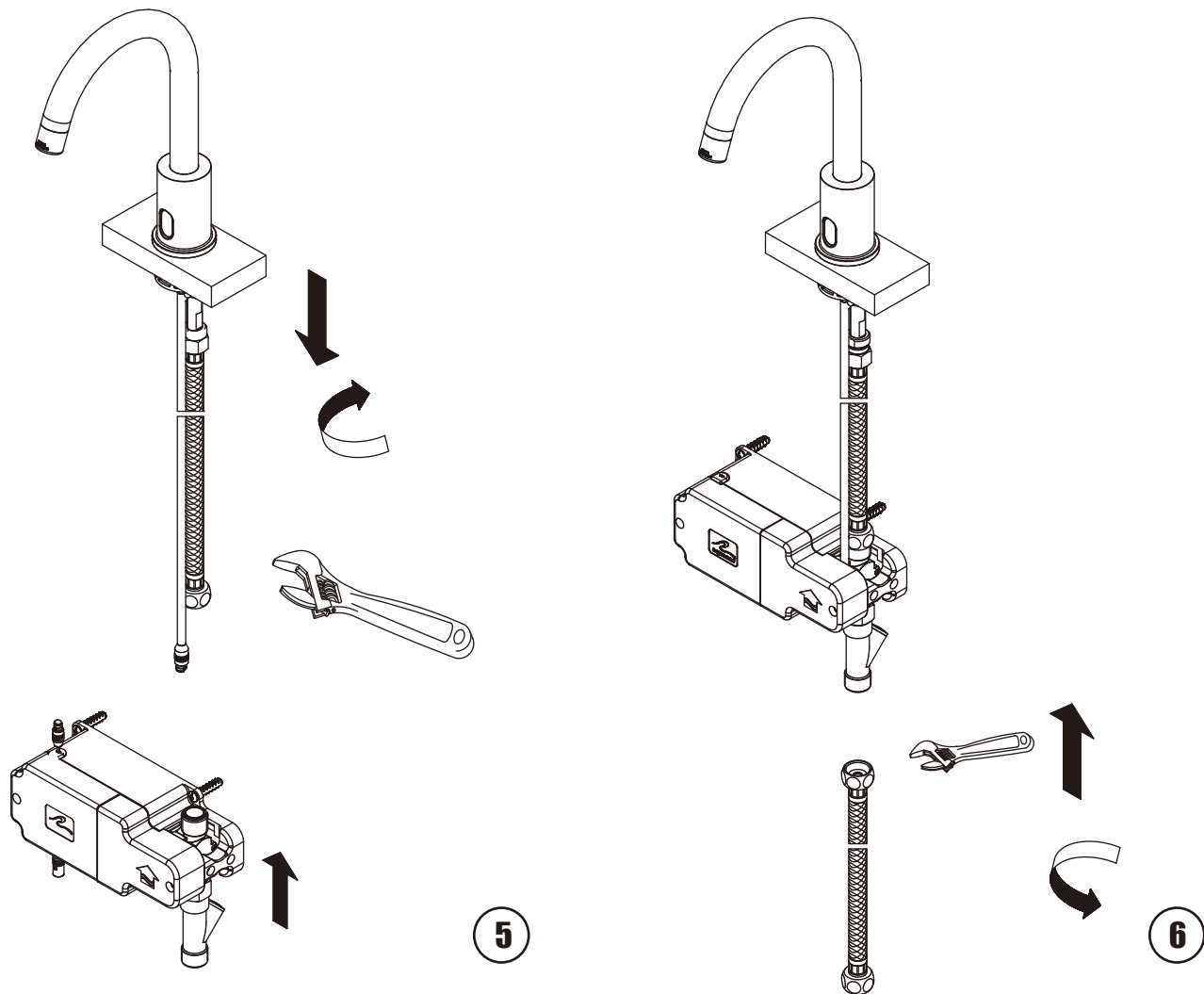
3 Connect with flexible hose.

4 Connect brass filter to solenoid valve.

Steps 5-6

Installation Procedure

Lefroy Brooks always recommends that plumbing products be installed by a licensed professional. Shut off main water supply before installation.



5 Connect the solenoid valve to the flexible hose.

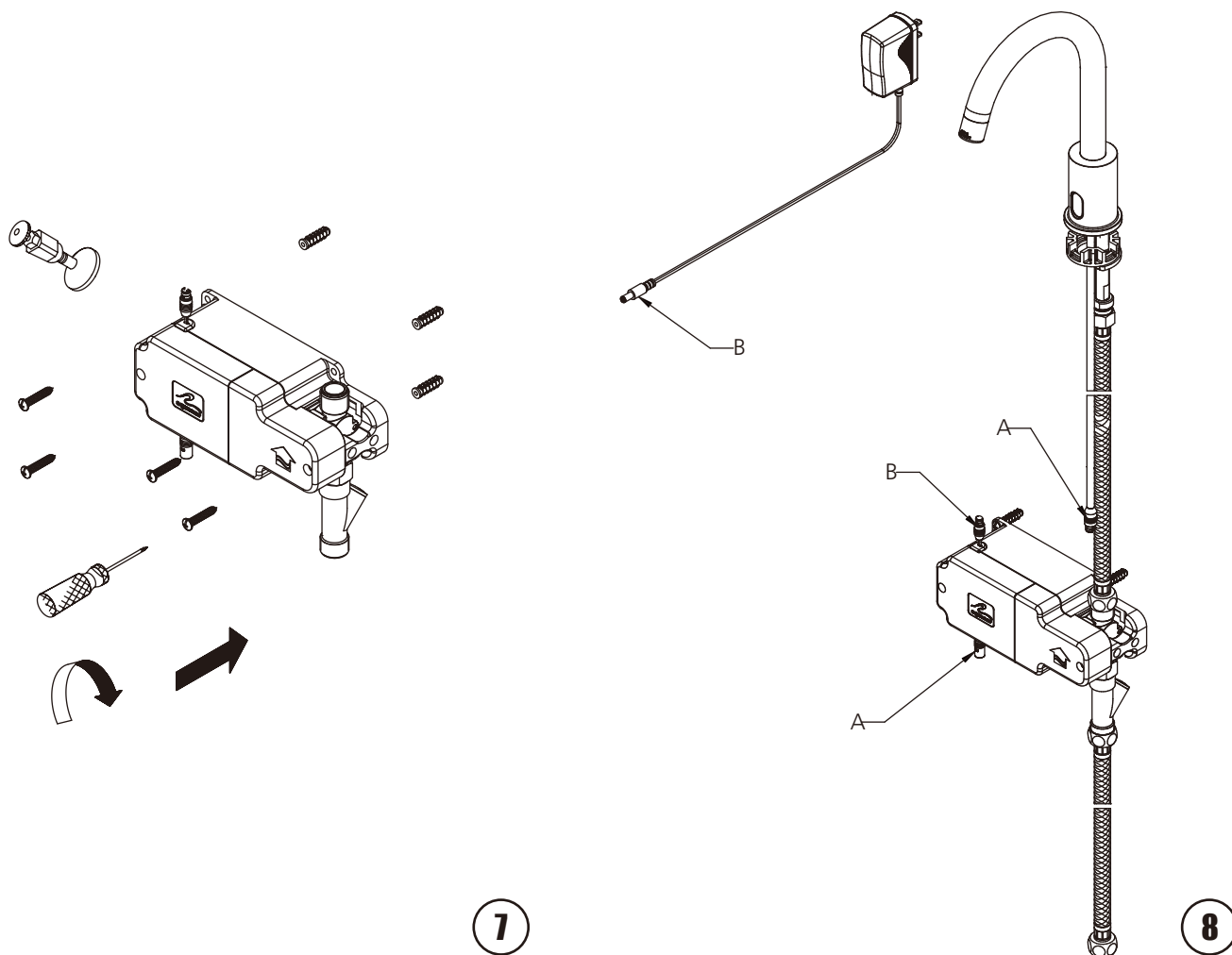
6 Attach another flexible hose to the valve.

Please note: this product can also be connected to a hot and cold feed, controlled by a remote mixing valve (not included).

Steps 7-8

Installation Procedure

Lefroy Brooks always recommends that plumbing products be installed by a licensed professional. Shut off main water supply before installation.



7 Attach the valve securely to a solid location point.

8 Connect the cables as shown: A connects to A; B connects to B.

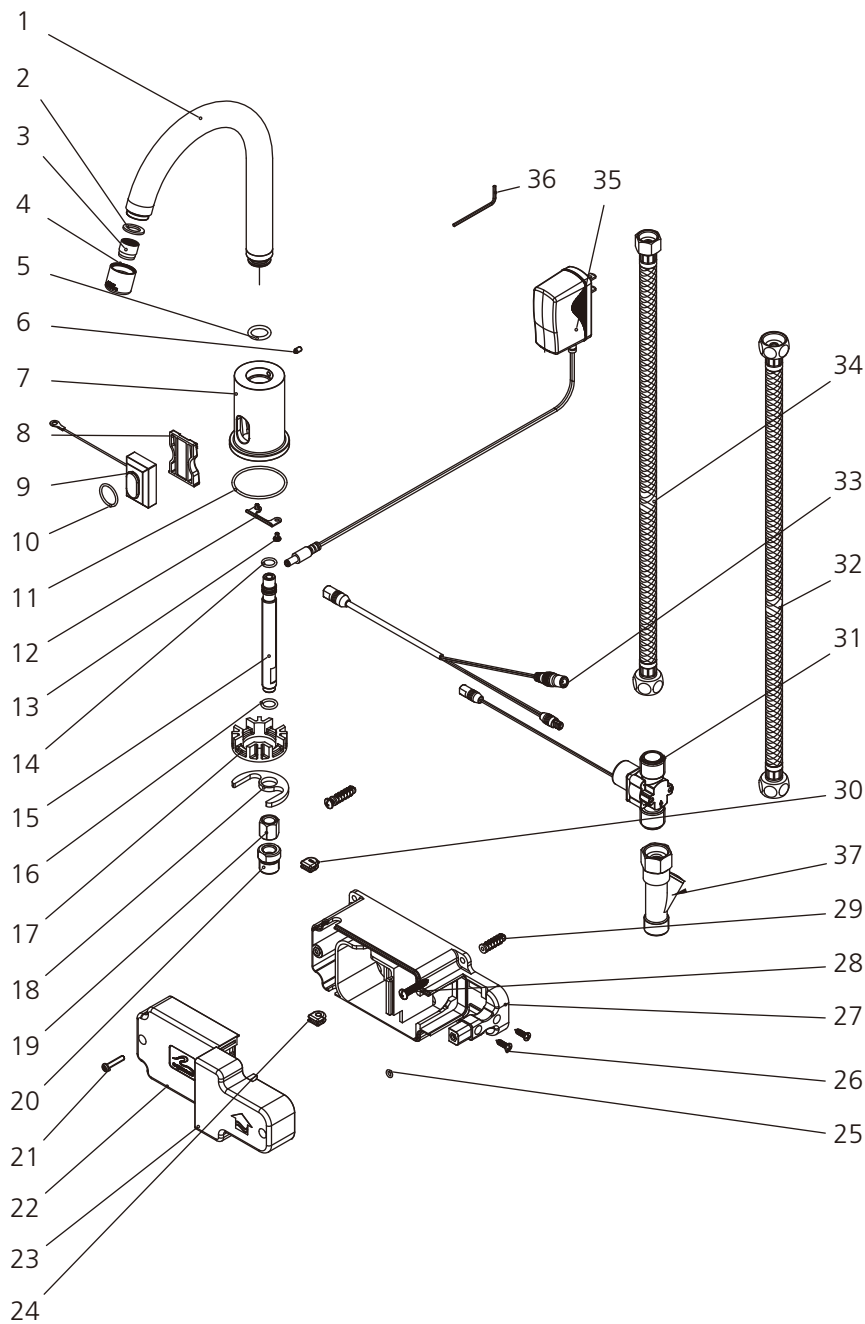
Trouble-Shooting

If you've followed the instructions carefully and your faucet still does not work properly, take these corrective steps:

PROBLEM	CAUSE	ACTION
Aerator leaks or has an inconsistent water flow pattern.	Aerator is dirty or misfitted.	Unscrew the aerator to check rubber packing. Re-assemble the aerator.
Sensor does not respond and a red light is continuously on when the Sensor Power On Procedure is implementing.	There is some unexpected object within detection range.	Check if there is any unexpected object in the detection range and remove it, such as tools, mirror, etc.
Before power supply is connected, the water flows continuously when the water valve is turned on.	Plunger of Solenoid Valve should keep close when Sensor is not detecting. The Plunger may be accidentally opened due to becoming stuck in transportation.	See installation procedures to connect Connection Cable Assembly and power supply correctly. As soon as the power is connected, the Solenoid Valve will close the Plunger itself.
Sensor is connected with Solenoid Valve and power supply. When the water valve is turned on, the water flows continuously without object within the detection range.	The Plunger of Solenoid Valve- keeps open abnormally because it is obstructed by debris or faulty Sensor.	Firstly change a new Solenoid Valve. If the water still flows continuously, then change a new Sensor.
The default detection range is not desirable for your use.	The default detection range maybe not satisfied for some particular circumstance.	Please refer to the chapter –Detective Range Adjust Procedure.

Exploded View

Parts List



- 1 Spout (139801W)
- 2 Oil-seal (010805N)
- 3 Aerator insert (553661N)
- 4 Aerator housing (305779N-54)
- 5 O-ring (063073N))
- 6 Set screw (075018)
- 7 Body (002635W)
- 8 Plastic board for sensor (540508)
- 9 Sensor module (546113)
- 10 O-ring (004037N))
- 11 O-ring (072032N)
- 12 Fixer for sensor (540509)
- 13 Screw (008692)
- 14 O-ring (004509N)
- 15 Bolt (017967W)
- 16 O-ring (063022N)
- 17 Fixer for sensor wires (120045)
- 18 Washer (013973)
- 19 Nut (054062)
- 20 Adaptor (067557W)
- 21 Screw (008500)
- 22 Protective box cover for battery (540064)
- 23 Protective box cover for valve (540063)
- 24 D-shape washer double hole (540378)
- 25 D-shape washer single hole (080052)
- 26 O-ring (004058)
- 27 Screw (075095)
- 28 Protective box base for valve (540062)
- 29 Screw (053022)
- 30 Plastic anchor bolt (291101)
- 31 Solenoid valve (543109)
- 32 Flexi hose (105051)
- 33 Connection cable assembly (540373)
- 34 Flexi hose (134065N)
- 35 Plug-in adaptor (540484)
- 36 Allen key (031003)
- 37 Brass filter (540093)

For additional assistance or service call

718-302-5292

9am to 5pm EST Monday to Friday



LEFROY BROOKS

www.lefroybrooks.com

LEFROY BROOKS INC, 1828 TROUTMAN STREET, RIDGEWOOD, NY, 11385
TELEPHONE: 718-302-5292. FAX: 718-302-4177

The use of trademarks, product design and artwork is subject to licence or agreement with LBIP Ltd. The design registrations, trademark registrations and copyrights are protected by law and the use or reproduction outside the terms of an agreement is prohibited. The right to modify designs and dimensions is reserved. Christo Lefroy Brooks is a member of ACID (Anti Copying in Design).

© LBIP LTD 2012