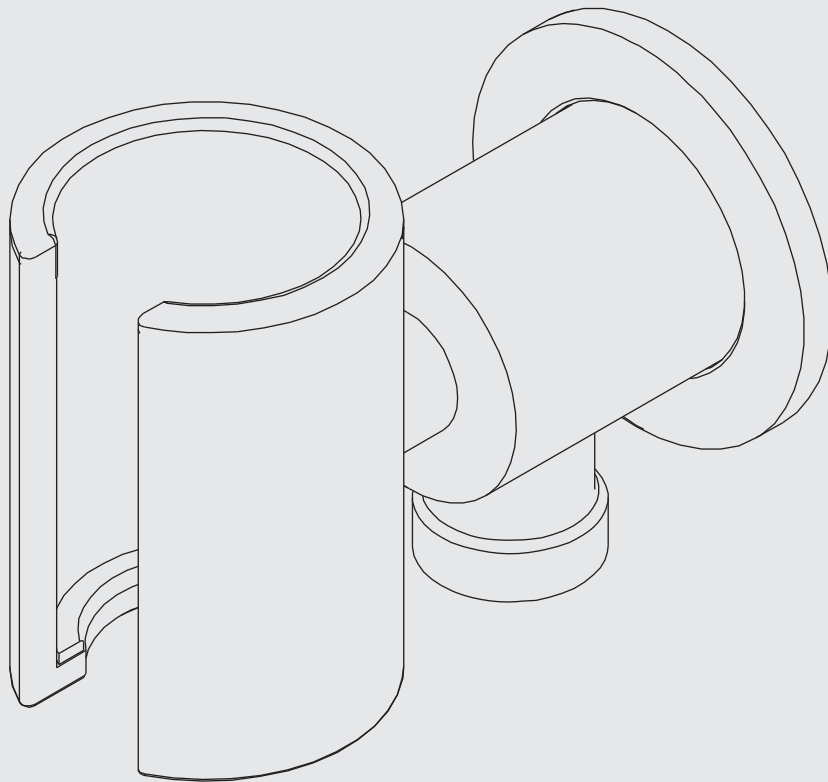


INSTALLATION INSTRUCTIONS

# Y1-1075

WALL OUTLET & HAND SHOWER HOLSTER, TO SUIT Y1-1055



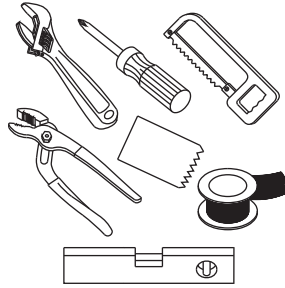
LEFROY BROOKS

# What you need to know

## Tools:

---

Adjustable Wrench  
Groove Joint Pliers  
Hacksaw  
Phillips Screwdriver  
Pipe Tape  
Spatula  
Spirit Level



## Safety Tips

---

If you are soldering during faucet installation, remove cartridges, seats, gaskets and washers prior to applying flame, otherwise you will void the warranty.

Cover drain openings to avoid losing small parts.

When cutting or soldering pipe, use safety glasses to protect your eyes.

## Things You May Need

---

Correct installation may vary depending on previous faucet installation. All necessary supplies required for faucet installation are not included, but may be found where plumbing supplies are sold. It is suggested that IAPMO and/or CSA approved plumbing supplies are used during installation.

## Standards

---

Meets A112.18.1

## Maintenance

---

Your new bathroom faucet is designed for years of trouble-free performance.

Keep it looking new by cleaning it periodically with a soft cloth. Avoid abrasive cleaners, wire wool and harsh chemicals as these will dull the finish and void your warranty.

## Important Points

---

Prior to beginning installation, turn off the cold and hot water lines and open the old faucet to release built-up pressure.

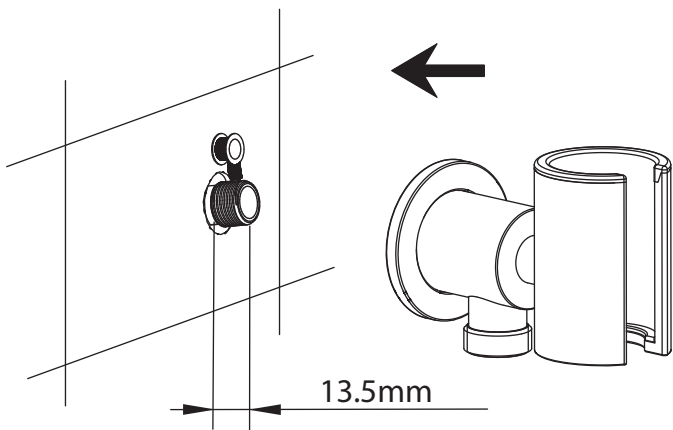
Overtightening nuts may cause damage.

Wrap all threaded connections with pipe tape available at your local plumbing supply store. Always wrap in a clockwise direction. The fittings should be installed by a state-licensed plumber.

# Step 1

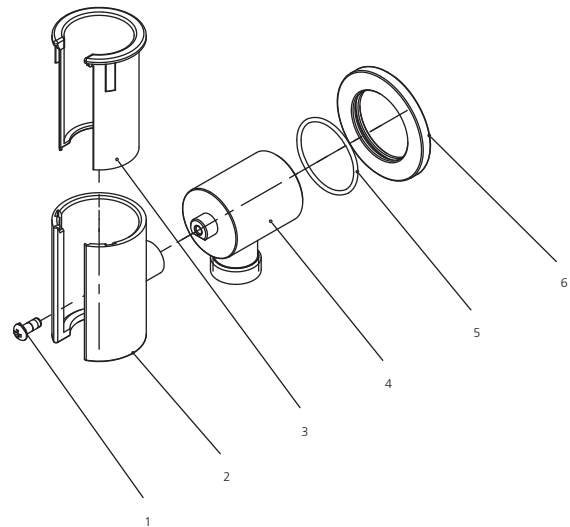
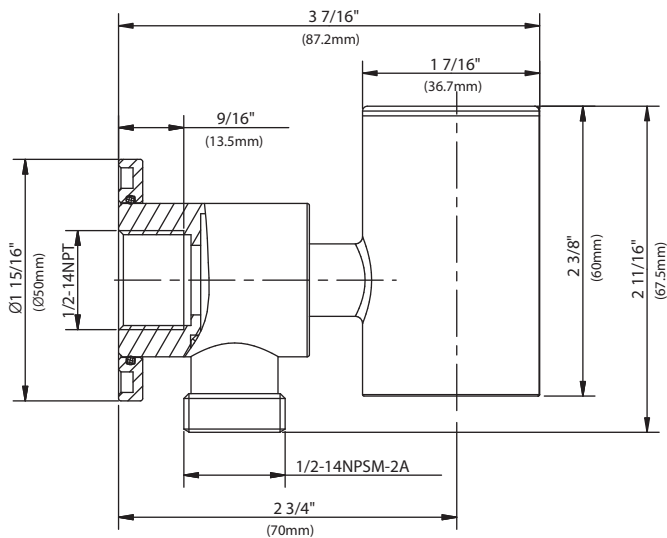
## Installation Procedure

Lefroy Brooks always recommends that plumbing products be installed by a licensed professional. Shut off main water supply before installation.



Apply pipe tape on the end threads of the connecting pipe. Please note that the length of the connecting pipe protruded out from the wall surface should be kept as 13.5mm.

Install the body outlet to the connecting pipe. Make sure that the outlet aligns to vertical after installation. Then slide the decorative bezel over the body outlet until it is flush with the wall.



- 1 Screw (008154)
- 2 Bracket (112642)
- 3 Liner (112643)
- 4 Body (117046)
- 5 O-ring (063062N)
- 6 Decorative cap (117034)

For additional assistance or service call

**718-302-5292**

**9am to 5pm EST Monday to Friday**



L E F R O Y   B R O O K S

[www.lefroybrooks.com](http://www.lefroybrooks.com)

LEFROY BROOKS INC, 1828 TROUTMAN STREET, RIDGEWOOD, NY, 11385  
TELEPHONE: 718-302-5292. FAX: 718-302-4177

The use of trademarks, product design and artwork is subject to licence or agreement with Christo A. Lefroy Brooks. The design registrations, trademark registrations and copyrights are protected by law and the use or reproduction outside the terms of an agreement is prohibited. The right to modify designs and dimensions is reserved. Christo Lefroy Brooks is a member of ACID (Anti Copying in Design).

©CHRISTO A. LEFROY BROOKS 2009