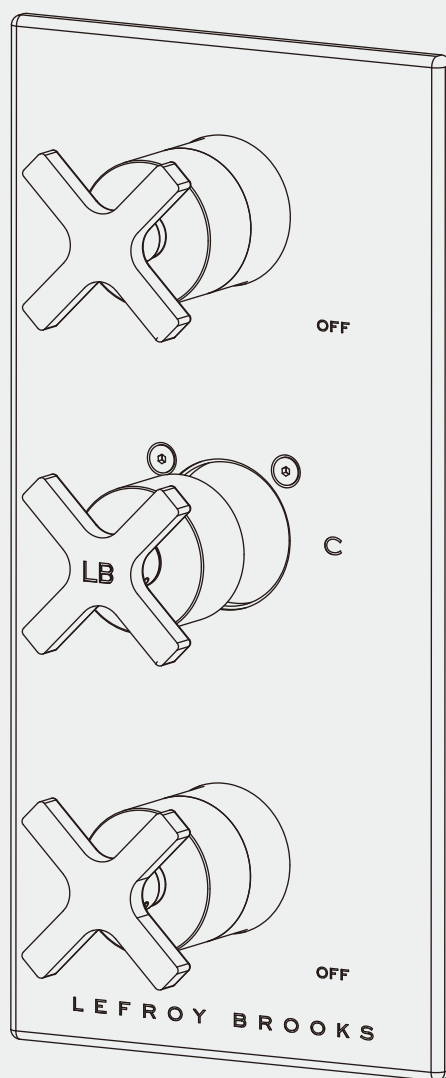


INSTALLATION INSTRUCTIONS

M2-4406

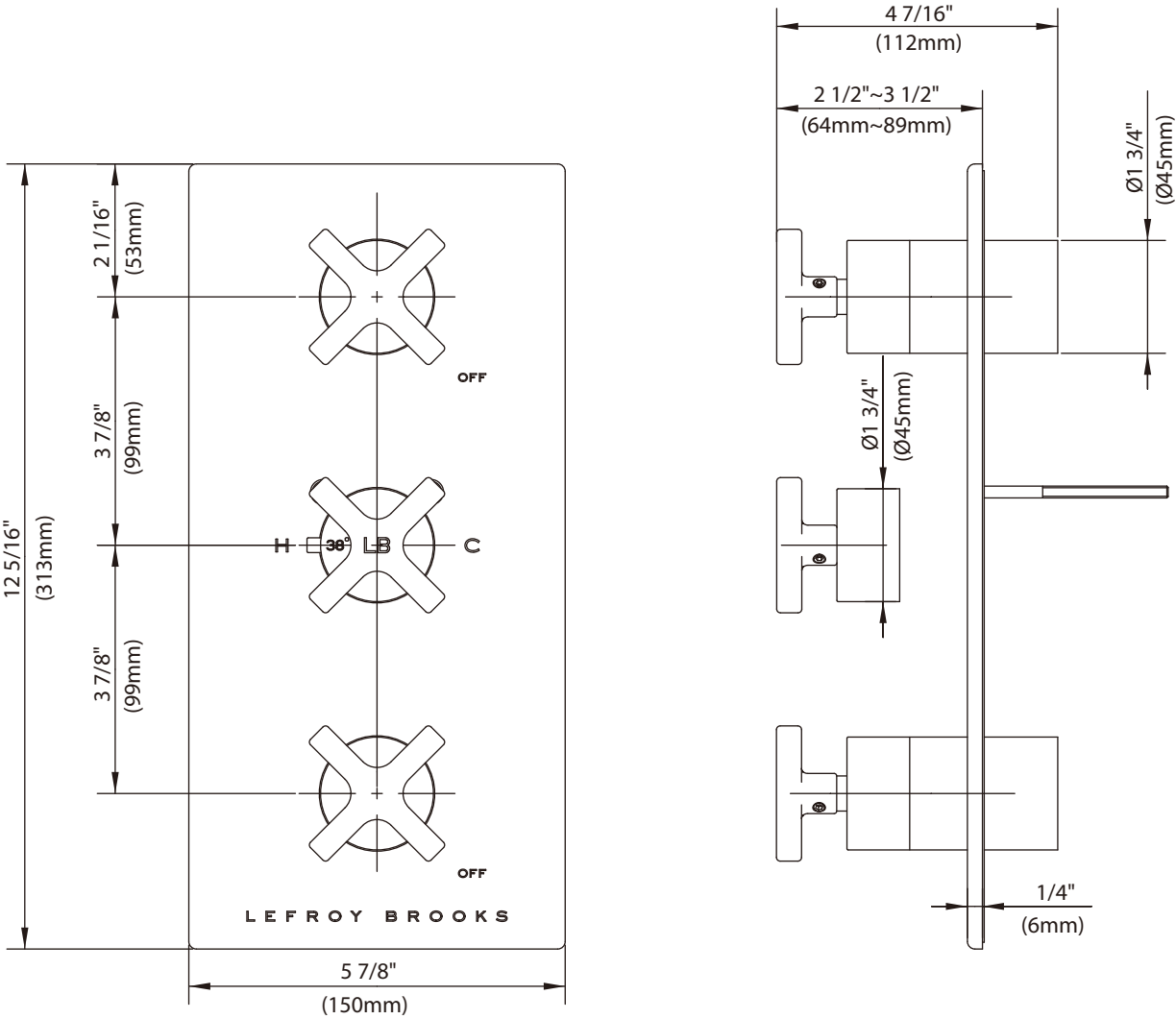
CROSS HANDLE THERMOSTATIC WITH TWO CROSS HANDLE FLOW CONTROLS
TRIM ONLY, TO SUIT K1-4202 ROUGH



LEFROY BROOKS

Dimensions in Inches (& Millimetres)

M2-4406

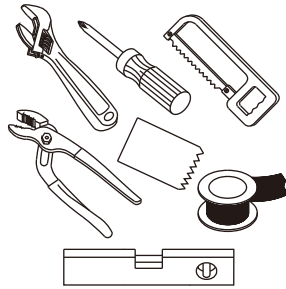


Whilst every effort is made to ensure accuracy, design and dimensions are subject to change without notice as part of the company's product development process.

What you need to know

Tools:

Adjustable Wrench
Groove Joint Pliers
Hacksaw
Phillips Screwdriver
Pipe Tape
Spatula
Spirit Level



Maintenance

Your new bathroom faucet is designed for years of trouble-free performance.

Keep it looking new by cleaning it periodically with a soft cloth. Avoid abrasive cleaners, wire wool and harsh chemicals as these will dull the finish and void your warranty.

Safety Tips

If you are soldering during faucet installation, remove cartridges, seats, gaskets and washers prior to applying flame, otherwise you will void the warranty.

Cover drain openings to avoid losing small parts.

When cutting or soldering pipe, use safety glasses to protect your eyes.

Important Points

Prior to beginning installation, turn off the cold and hot water lines and open the old faucet to release built-up pressure.

Overtightening nuts may cause damage.

Wrap all threaded connections with pipe tape available at your local plumbing supply store. Always wrap in a clockwise direction. The fittings should be installed by a state-licensed plumber.

Things You May Need

Correct installation may vary depending on previous faucet installation. All necessary supplies required for faucet installation are not included, but may be found where plumbing supplies are sold. It is suggested that IAPMO and/or CSA approved plumbing supplies are used during installation.

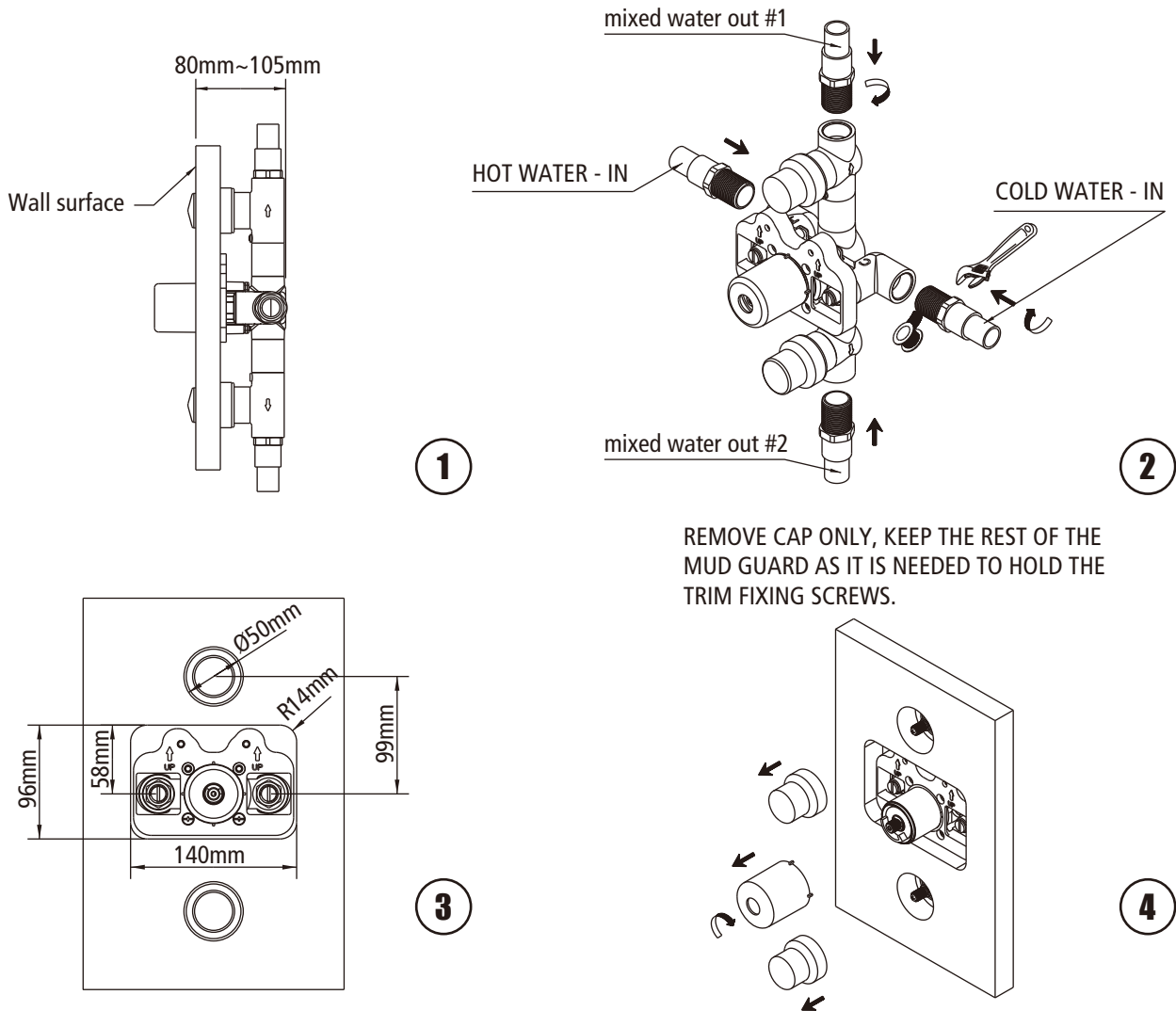
Standards

IAPMO/cUPC Listed
Meets A112.18.1

Steps 1-4

Installation Procedure

Lefroy Brooks always recommends that plumbing products be installed by a licensed professional. Shut off main water supply before installation.



1 Before installing the valve into the wall, please note that a distance between 80mm~105mm from the wall surface to the rear of the valve should be left so that the trim can be fitted correctly.

2 Install valve assembly into the wall.

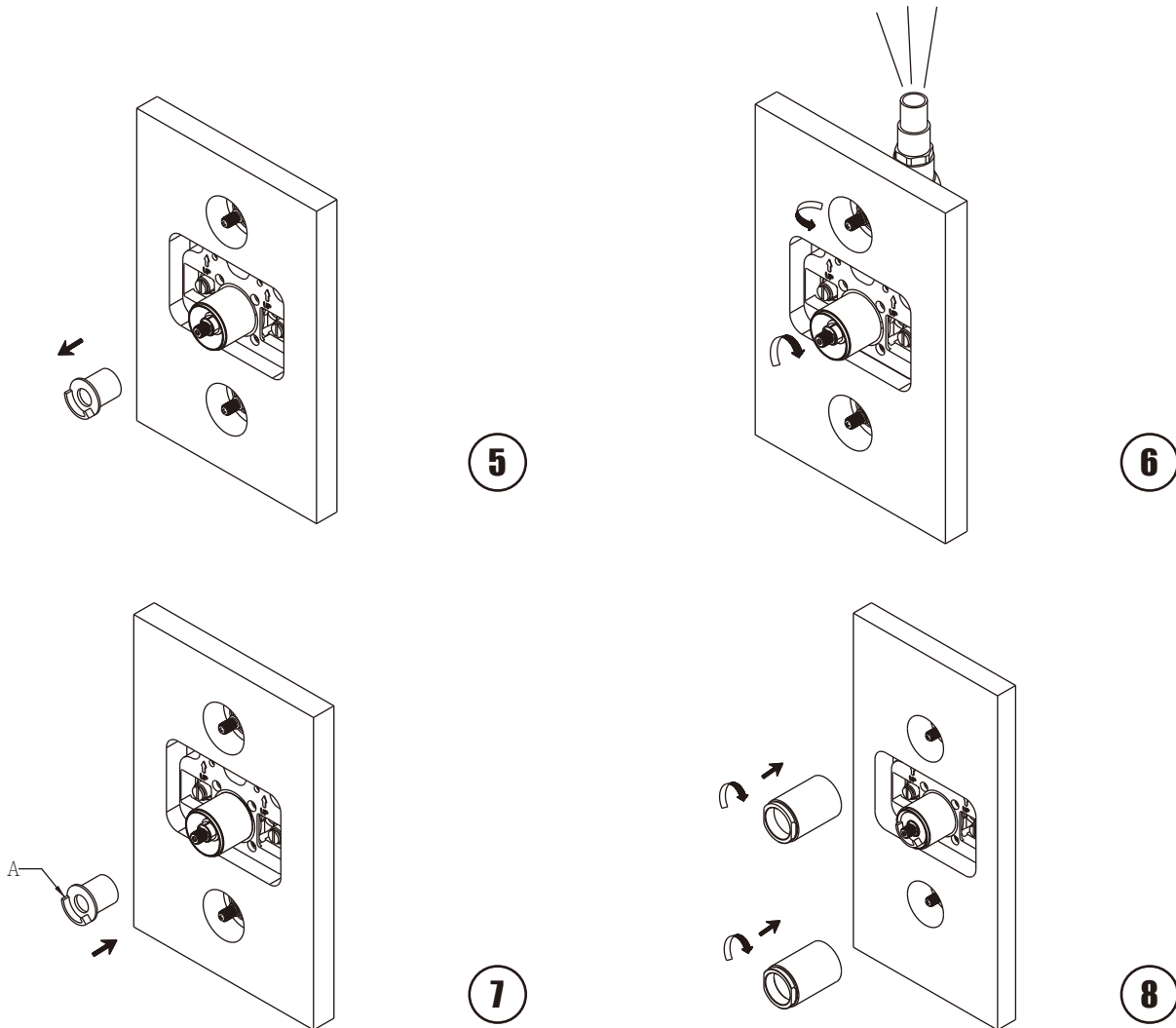
3 Cut a hole on the wall surface for fitting the trim kit. The hole dimension is as shown in figure 3.

4 Throw away the protective caps only when building construction is completed and you are ready to fit the trim kit in.
REMOVE CAP ONLY, KEEP THE REST OF THE MUD GUARD AS IT IS NEEDED TO HOLD THE TRIM FIXING SCREWS.

Steps 5-8

Installation Procedure

Lefroy Brooks always recommends that plumbing products be installed by a licensed professional. Shut off main water supply before installation.



5 Take out the stopper.

6 Turn on the flow controller. Turn the thermostatic cartridge until the water temperature is at 38.
Suggestion: attach a hose to the outlet and guide water to basin or a receiver to get the temperature and prevent it from wetting the floor.

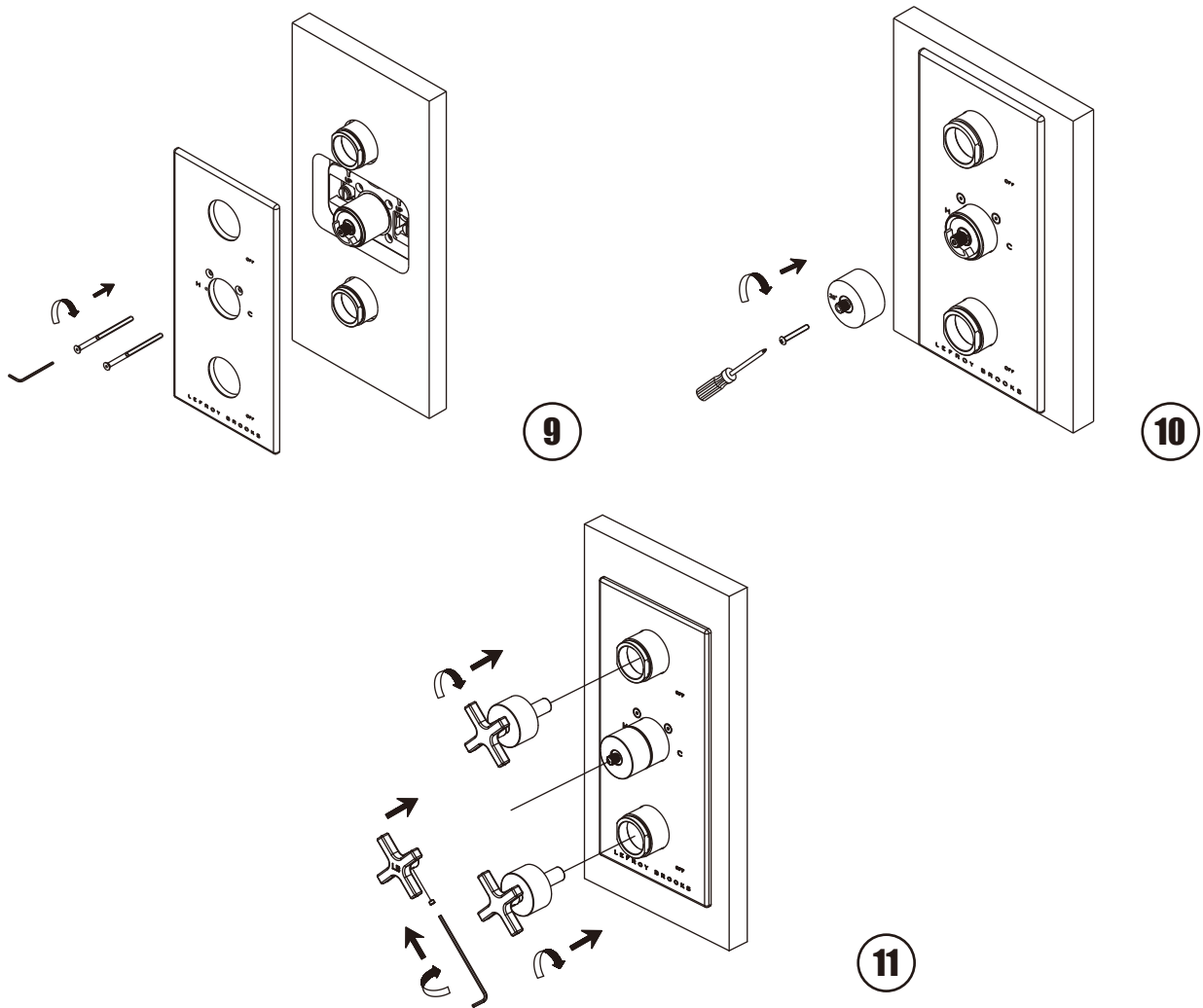
7 Fit the stopper and make sure its "A" plane as shown is horizontal and on the left side.

8 Install sleeve.

Steps 9-11

Installation Procedure

Lefroy Brooks always recommends that plumbing products be installed by a licensed professional. Shut off main water supply before installation.



9 Fix the front plate with screws.

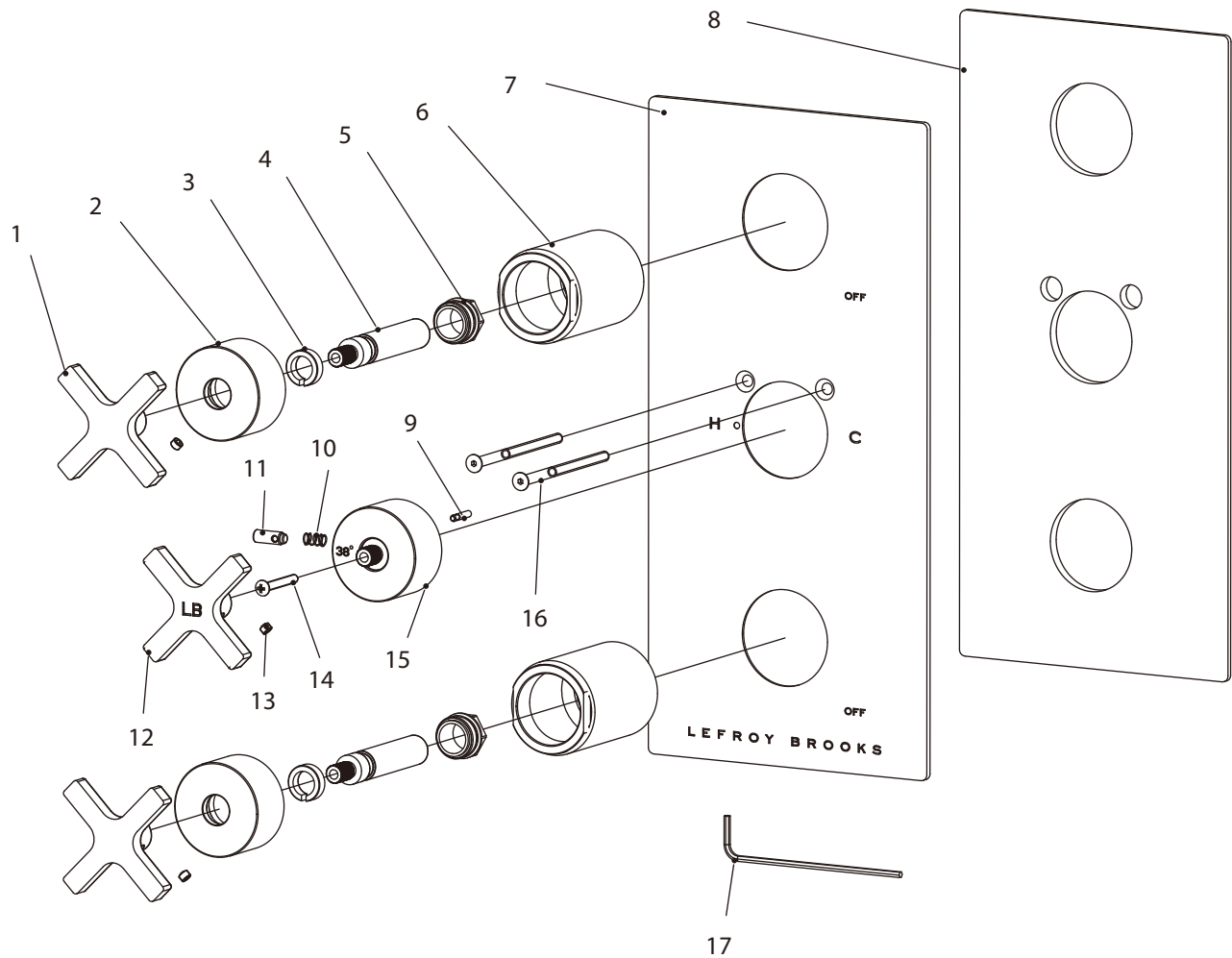
11 Install handle assembly with set screws.

10 Fix the canopy with screw. When it is fixed, check that the temperature-limit-button is in the horizontal position.

Exploded View

Parts List

M2-4406

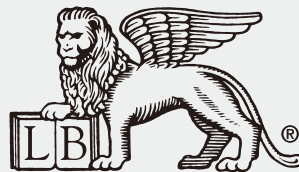


1	Cross handle (029685)	7	Back plate (006571-51)	13	Set screw (292598)
2	Canopy (018958)	8	Oil seal (068338)	14	Screw (008994)
3	Clip (012242)	9	Pin (003153)	15	Canopy (018421-50)
4	Stem extension (110321)	10	Spring (005157)	16	Screw (008793)
5	Adaptor (067897)	11	Button (036276)	17	Allen key (031220)
6	Sleeve (041724)	12	Cross handle (029685-51)		

For additional assistance or service call

718-302-5292

9am to 5pm EST Monday to Friday



LEFROY BROOKS

www.lefroybrooks.com

LEFROY BROOKS INC, 1828 TROUTMAN STREET, RIDGEWOOD, NY, 11385
TELEPHONE: 718-302-5292. FAX: 718-302-4177

The use of trademarks, product design and artwork is subject to licence or agreement with LBIP Ltd. The design registrations, trademark registrations and copyrights are protected by law and the use or reproduction outside the terms of an agreement is prohibited. The right to modify designs and dimensions is reserved. Christo Lefroy Brooks is a member of ACID (Anti Copying in Design).