

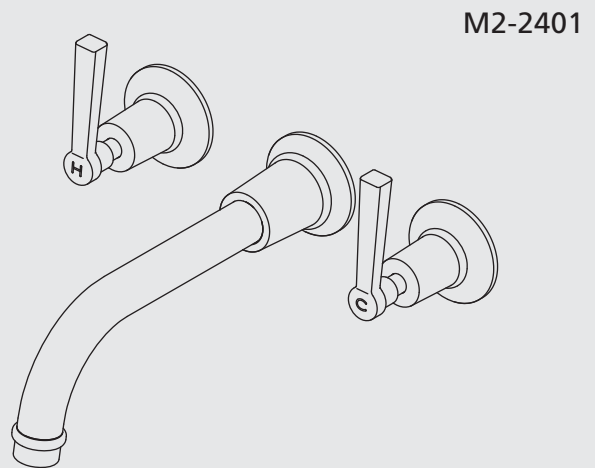
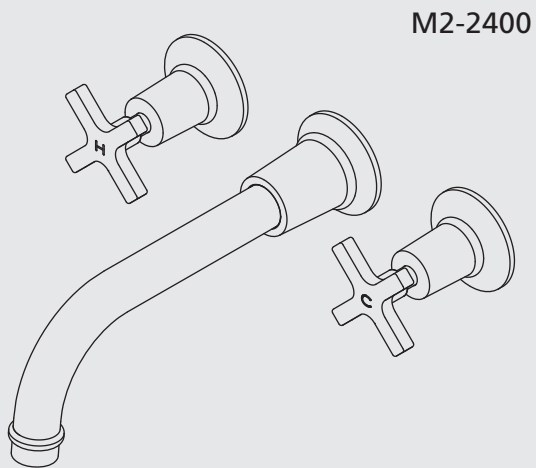
## INSTALLATION INSTRUCTIONS

# M2-2400

CROSS HANDLE 3-HOLE BATH FILLER TRIM ONLY, TO SUIT R1-4017 ROUGH

# M2-2401

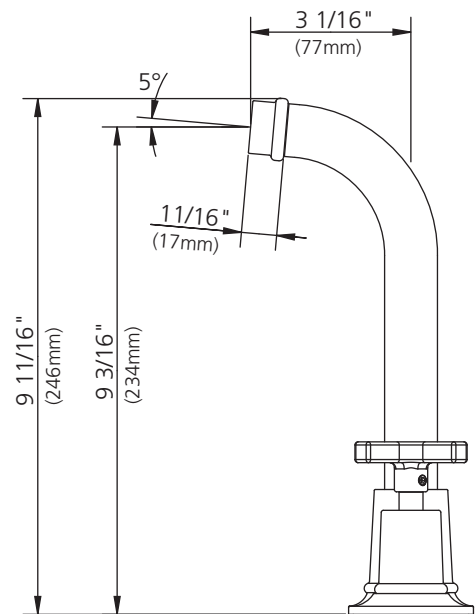
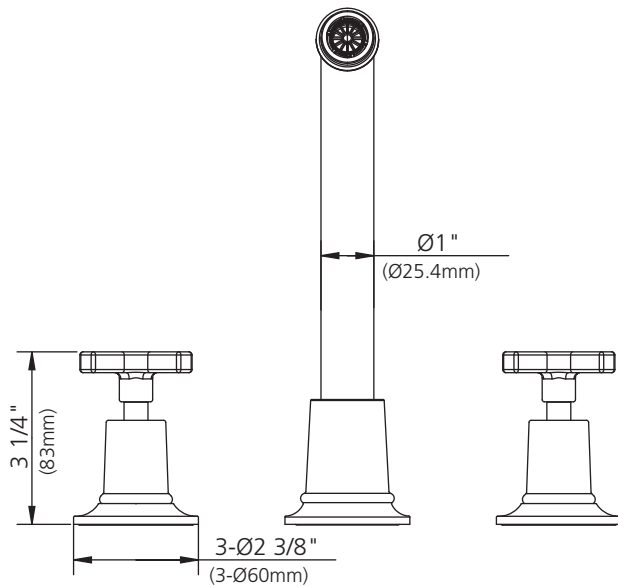
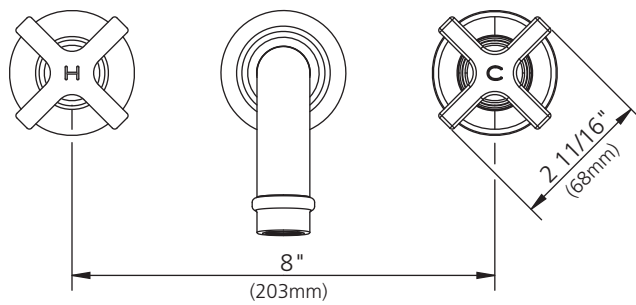
LEVER 3-HOLE BATH FILLER TRIM ONLY, TO SUIT R1-4018 ROUGH



LEFROY BROOKS

# Dimensions in Inches (& Millimetres)

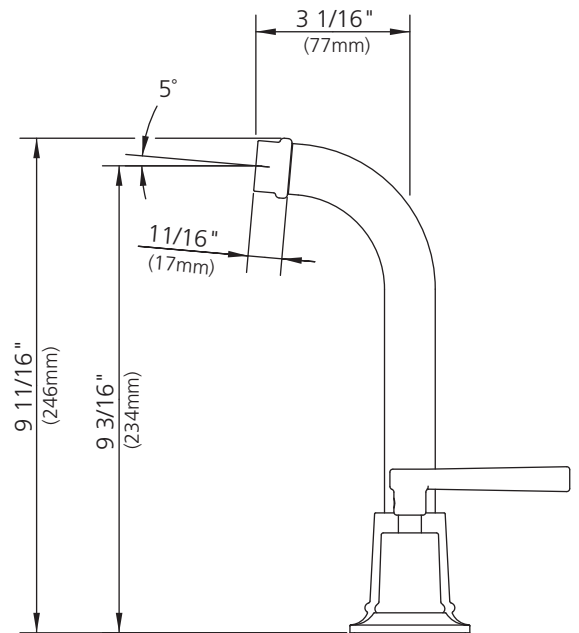
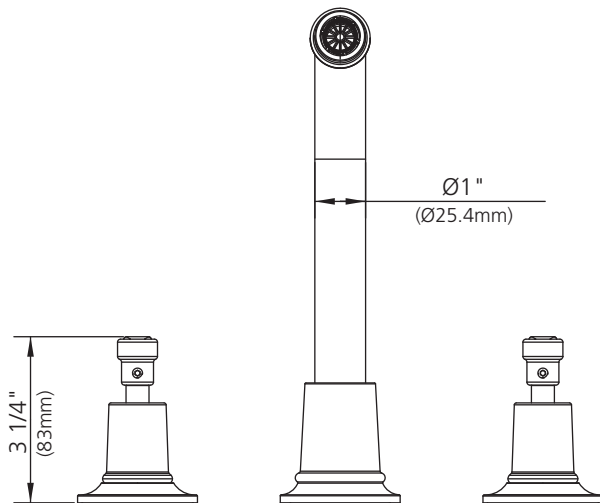
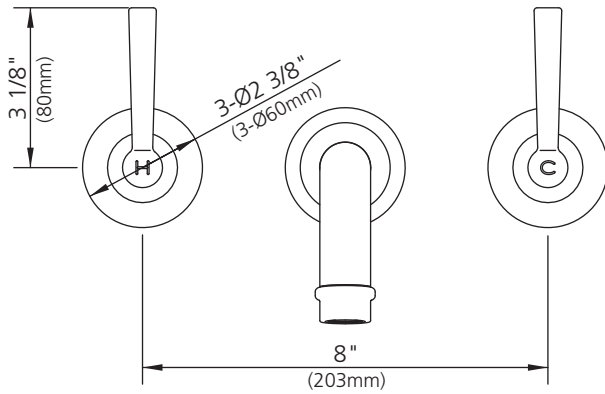
M2-2400



Whilst every effort is made to ensure accuracy, design and dimensions are subject to change without notice as part of the company's product development process.

# Dimensions in Inches (& Millimetres)

M2-2401



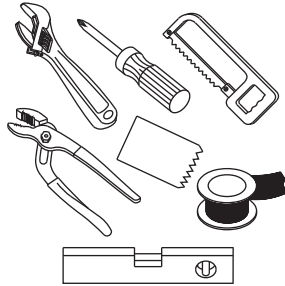
Whilst every effort is made to ensure accuracy, design and dimensions are subject to change without notice as part of the company's product development process.

# What you need to know

## Tools:

---

Adjustable Wrench  
Groove Joint Pliers  
Hacksaw  
Phillips Screwdriver  
Pipe Tape  
Spatula  
Spirit Level



## Safety Tips

---

If you are soldering during faucet installation, remove cartridges, seats, gaskets and washers prior to applying flame, otherwise you will void the warranty.

Cover drain openings to avoid losing small parts.

When cutting or soldering pipe, use safety glasses to protect your eyes.

## Things You May Need

---

Correct installation may vary depending on previous faucet installation. All necessary supplies required for faucet installation are not included, but may be found where plumbing supplies are sold. It is suggested that IAPMO and/or CSA approved plumbing supplies are used during installation.

## Standards

---

IAPMO/cUPC Listed  
Meets A112.18.1

## Maintenance

---

Your new bathroom faucet is designed for years of trouble-free performance.

Keep it looking new by cleaning it periodically with a soft cloth. Avoid abrasive cleaners, wire wool and harsh chemicals as these will dull the finish and void your warranty.

## Important Points

---

Prior to beginning installation, turn off the cold and hot water lines and open the old faucet to release built-up pressure.

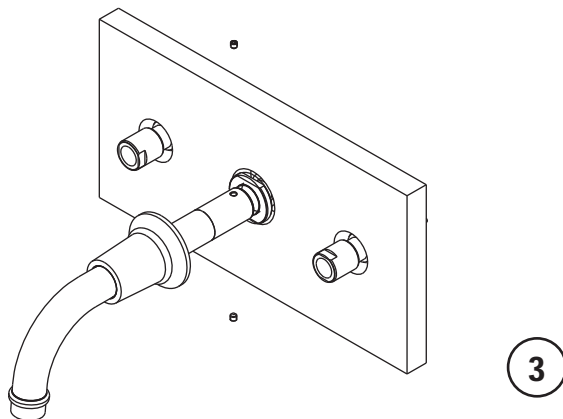
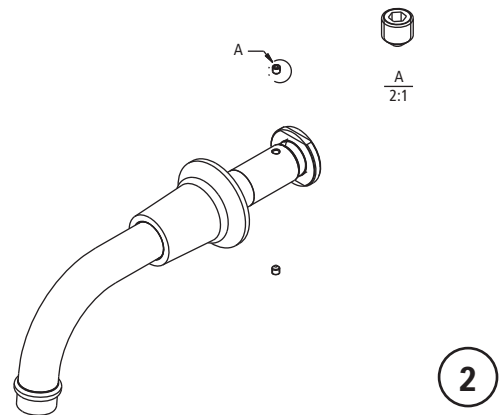
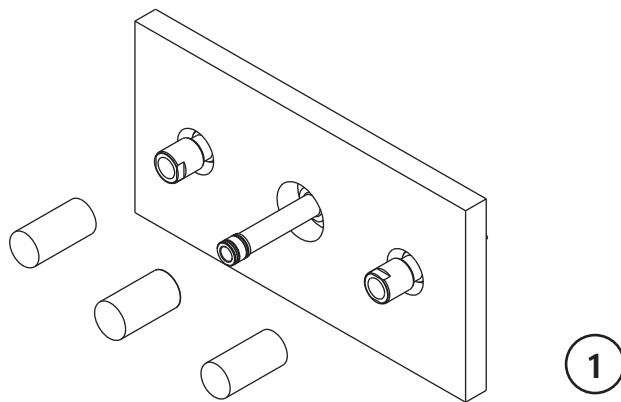
Overtightening nuts may cause damage.

Wrap all threaded connections with pipe tape available at your local plumbing supply store. Always wrap in a clockwise direction. The fittings should be installed by a state-licensed plumber.

# Steps 1-4

## Installation Procedure

Lefroy Brooks always recommends that plumbing products be installed by a licensed professional. Shut off main water supply before installation.



**1** Once the front wall is finished, take off the protective caps for installing the trim.

**2** Disassemble central canopy and spout by loosening the grub screw.

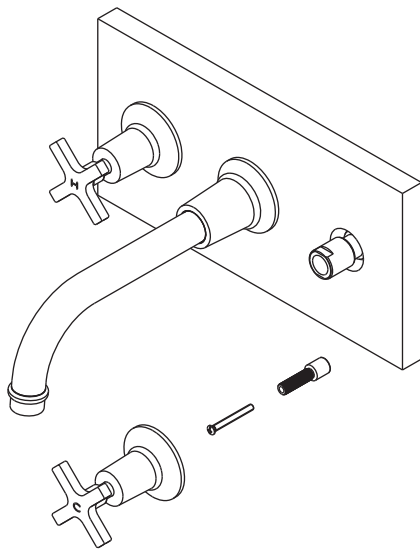
**3** Install the spout and then fix the central canopy with the spout by fixing the grub screw.

# Steps 5-7

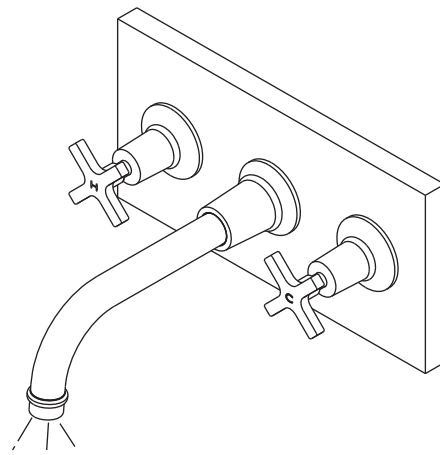
## Installation Procedure

---

Lefroy Brooks always recommends that plumbing products be installed by a licensed professional. Shut off main water supply before installation.



5



6

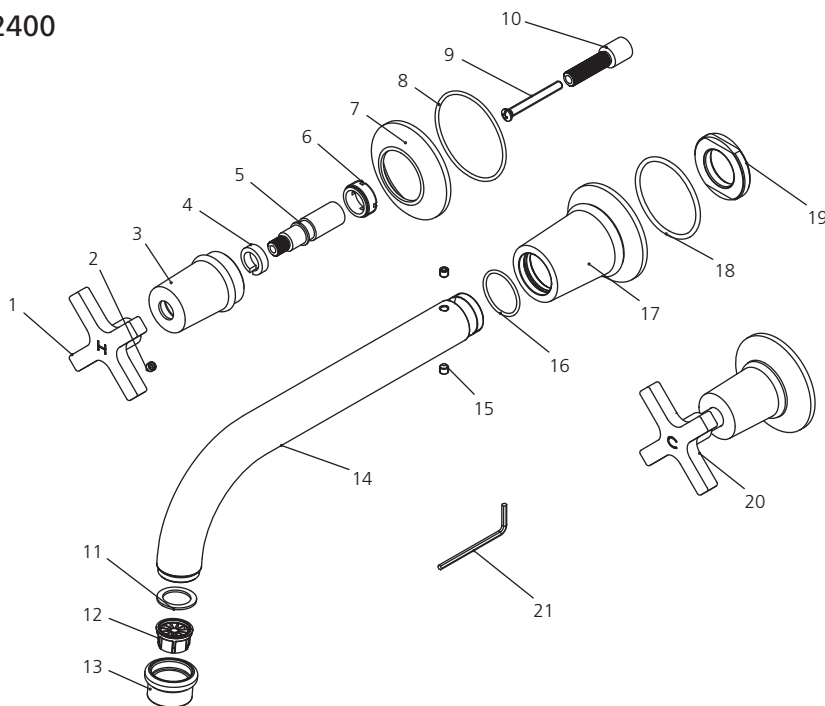
**4** Install the handle by fixing the screw with stem extension.

**5** After installation, turn on valve to do water checking.

# Exploded View

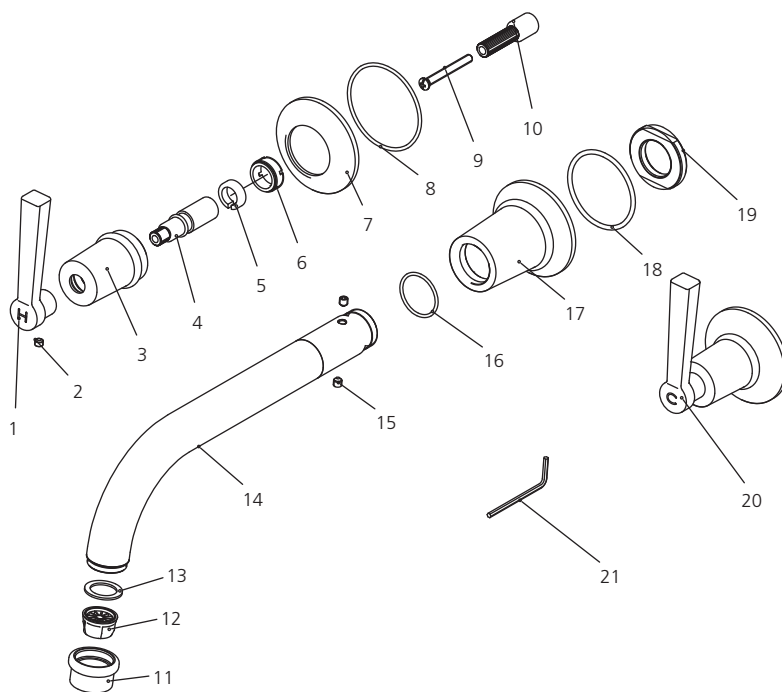
## Parts List

### M2-2400



- 1 Cross handle (029685H)
- 2 Set screw (292598)
- 3 Canopy (018014)
- 4 Clip (012242)
- 5 Stem extension (067773)
- 6 Adaptor (057507)
- 7 Escutcheon (071325)
- 8 O-ring (004640N)
- 9 Screw (008115)
- 10 Stem extension (110413)
- 11 Oil seal (010899)
- 12 Aerator insert (114237R)
- 13 Aerator housing (305037)
- 14 Spout (139657)
- 15 Set screw (292505)
- 16 O-ring (004094N)
- 17 Canopy (000114)
- 18 O-ring (004617)
- 19 Nut (009618)
- 20 Cross handle (029685C)
- 21 Allen key (031000)

### M2-2401



- 1 Handle ( H ) (069826H)
- 2 Set screw (292598)
- 3 Canopy (018014)
- 4 Adaptor (067773)
- 5 Clip (012242)
- 6 Adaptor (057507)
- 7 Escutcheon (071325)
- 8 O-ring (004640N)
- 9 Screw (008115)
- 10 Stem extension (110413)
- 11 Aerator housing (305037)
- 12 Aerator insert (114237R)
- 13 Oil-seal (010899)
- 14 Spout (139657)
- 15 Set screw (292505)
- 16 O-ring (004094N)
- 17 Canopy (000114)
- 18 O-ring (004617)
- 19 Nut (009618)
- 20 Handle ( C ) (069826C)
- 21 Allen Key (031000)

For additional assistance or service call

**718-302-5292**

**9am to 5pm EST Monday to Friday**



L E F R O Y   B R O O K S

[www.lefroybrooks.com](http://www.lefroybrooks.com)

LEFROY BROOKS INC, 1828 TROUTMAN STREET, RIDGEWOOD, NY, 11385  
TELEPHONE: 718-302-5292. FAX: 718-302-4177

The use of trademarks, product design and artwork is subject to licence or agreement with LBIP Ltd. The design registrations, trademark registrations and copyrights are protected by law and the use or reproduction outside the terms of an agreement is prohibited. The right to modify designs and dimensions is reserved. Christo Lefroy Brooks is a member of ACID (Anti Copying in Design).

© LBIP LTD 2012