

INSTALLATION INSTRUCTIONS

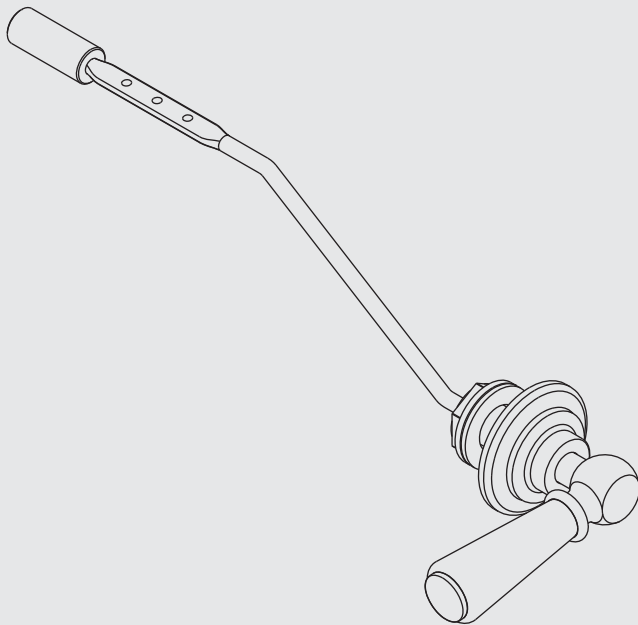
CW-5471

WHITE LEVER CISTERN HANDLE

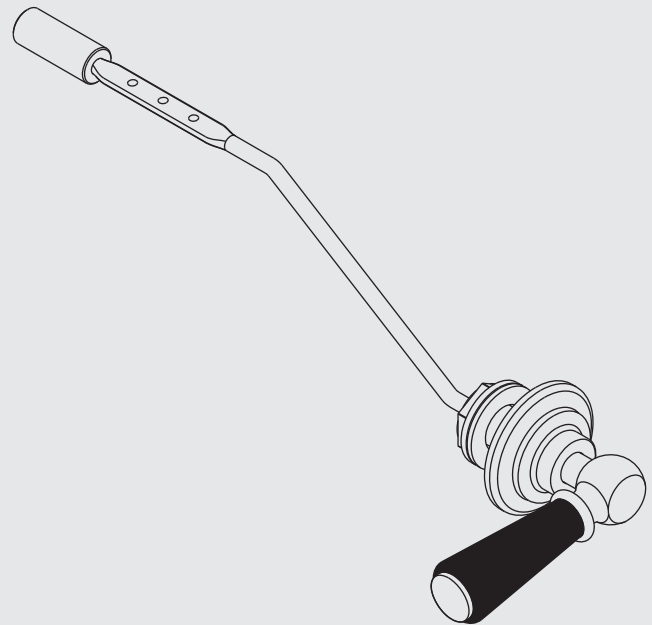
CB-5471

BLACK LEVER CISTERN HANDLE

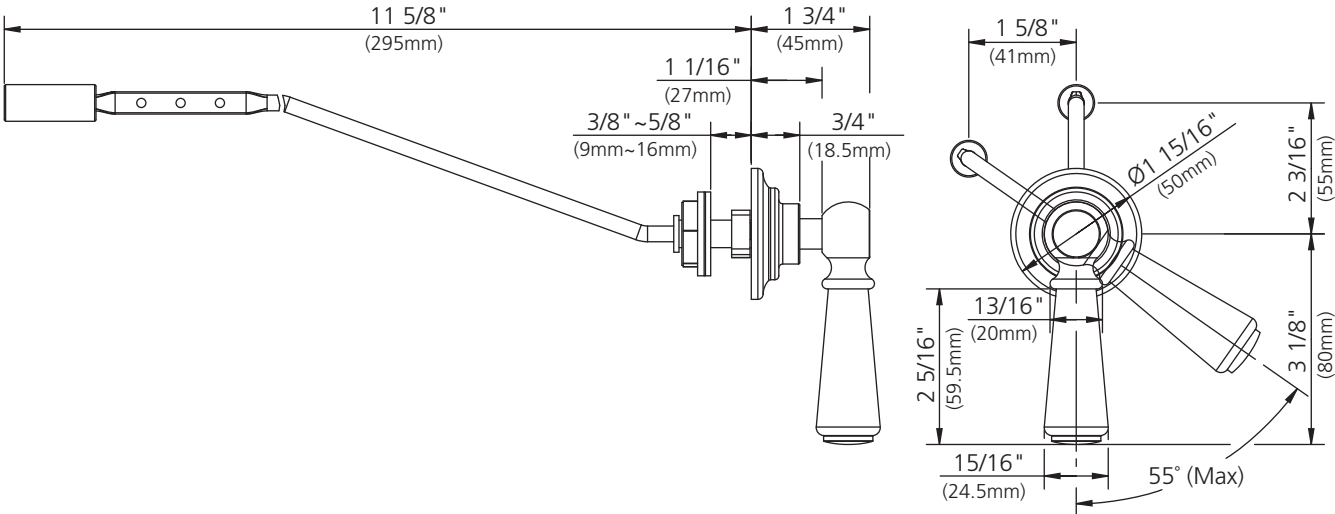
CW-5471



CB-5471



Dimensions in Inches (& Millimetres)

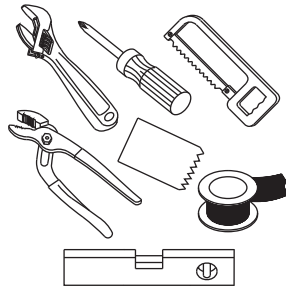


Whilst every effort is made to ensure accuracy, design and dimensions are subject to change without notice as part of the company's product development process.

What you need to know

Tools:

Adjustable Wrench
Groove Joint Pliers
Hacksaw
Phillips Screwdriver
Pipe Tape
Spatula
Spirit Level



Safety Tips

If you are soldering during faucet installation, remove cartridges, seats, gaskets and washers prior to applying flame, otherwise you will void the warranty.

Cover drain openings to avoid losing small parts.

When cutting or soldering pipe, use safety glasses to protect your eyes.

Things You May Need

Correct installation may vary depending on previous faucet installation. All necessary supplies required for faucet installation are not included, but may be found where plumbing supplies are sold. It is suggested that IAPMO and/or CSA approved plumbing supplies are used during installation.

Maintenance

Your new bathroom faucet is designed for years of trouble-free performance.

Keep it looking new by cleaning it periodically with a soft cloth. Avoid abrasive cleaners, wire wool and harsh chemicals as these will dull the finish and void your warranty.

Important Points

Prior to beginning installation, turn off the cold and hot water lines and open the old faucet to release built-up pressure.

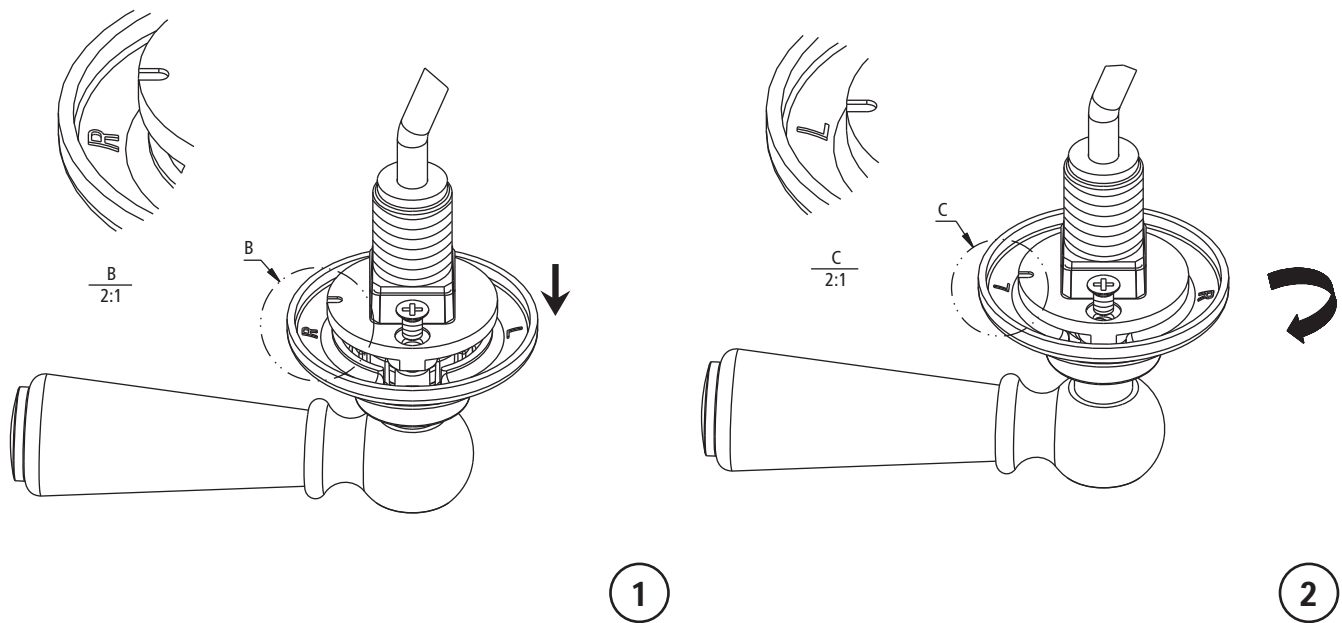
Overtightening nuts may cause damage.

Wrap all threaded connections with pipe tape available at your local plumbing supply store. Always wrap in a clockwise direction. The fittings should be installed by a state-licensed plumber.

Steps 1-2

Installation Procedure

Lefroy Brooks always recommends that plumbing products be installed by a licensed professional. Shut off main water supply before installation.



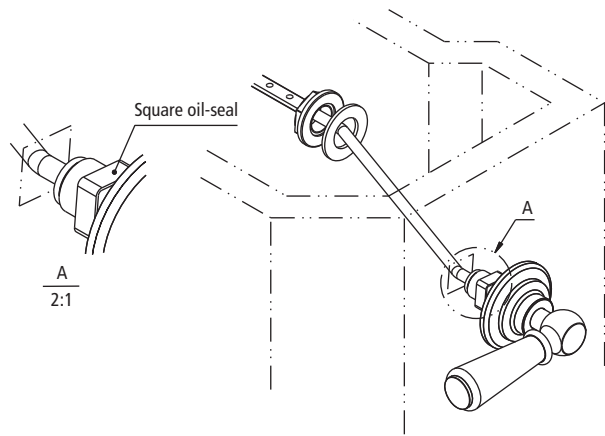
1 This product will be initially set-up for installation on the right-hand side of the cistern. To install on the left-hand side, please do the following: first, loosen the decorative cap by undoing the two screws on the back of the handle assembly. Note the current position of the letter "R" inside the decorative cap.

2 Rotate the cap 180 degrees, so the "L" is now above the handle as shown above.

Steps 3-4

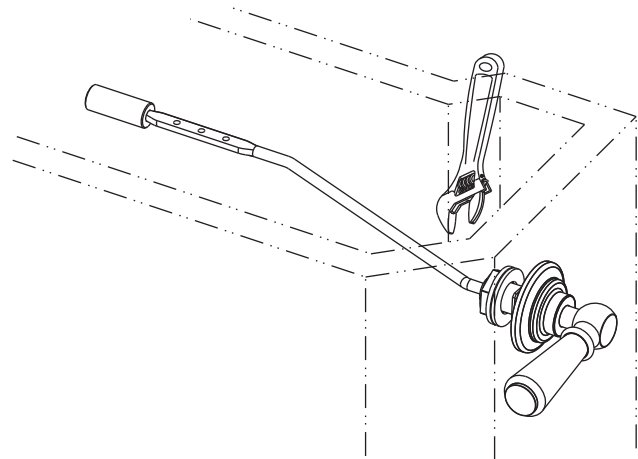
Installation Procedure

Lefroy Brooks always recommends that plumbing products be installed by a licensed professional. Shut off main water supply before installation.



3

- 3** Install the cistern handle. On some cisterns, you may find the oil-seal incompatible with the hole, in these circumstances, fit without the oil seal.

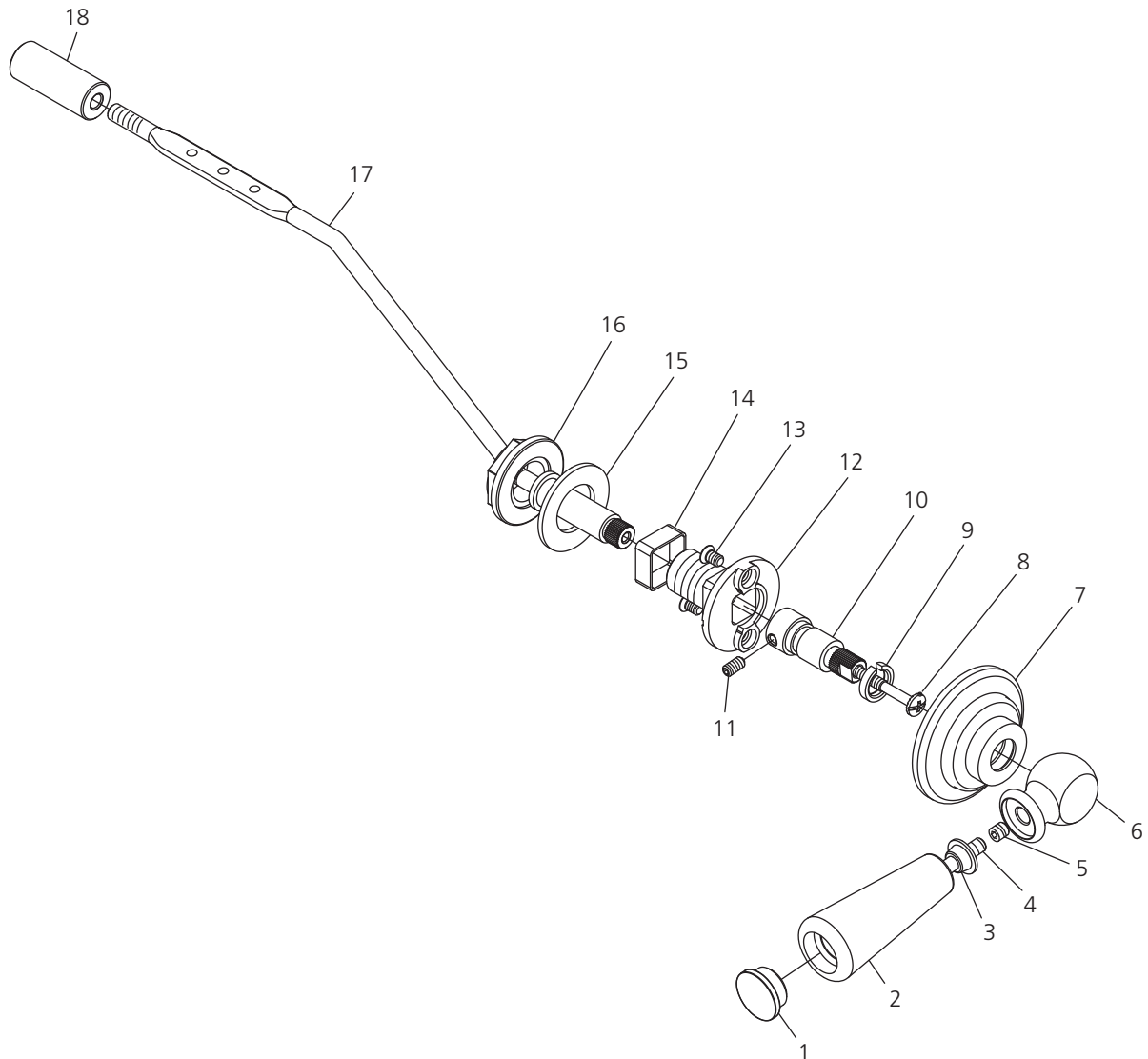


4

- 4** Fix the plastic nut tightly with wrench.

Exploded View

Parts List



1	Lever cap (109029)	7	Decorative cap (215104)	13	Screw (008715)
2	Lever (108924)	8	Stud bolt (008099)	14	Square oil-seal (259092)
3	Oil-seal (255347)	9	Clip (012331)	15	Oil-seal (010532)
4	Bolt (017044)	10	Axle (255435)	16	Plastic nut (009882)
5	Screw (008003)	11	Set screw (292001)	17	Shaft (254040)
6	Lever seat (107106)	12	Fixing plate (293114)	18	Weighted-nut (009284)

For additional assistance or service call

718-302-5292

9am to 5pm EST Monday to Friday



L E F R O Y B R O O K S

www.lefroybrooks.com

LEFROY BROOKS INC, 1828 TROUTMAN STREET, RIDGEWOOD, NY, 11385
TELEPHONE: 718-302-5292. FAX: 718-302-4177

The use of trademarks, product design and artwork is subject to licence or agreement with Christo A. Lefroy Brooks. The design registrations, trademark registrations and copyrights are protected by law and the use or reproduction outside the terms of an agreement is prohibited. The right to modify designs and dimensions is reserved. Christo Lefroy Brooks is a member of ACID (Anti Copying in Design).

©CHRISTO A. LEFROY BROOKS 2009